

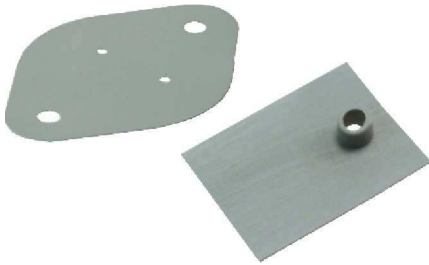


HESTORE.HU

elektronikai alkatrész áruház

EN: This Datasheet is presented by the manufacturer.

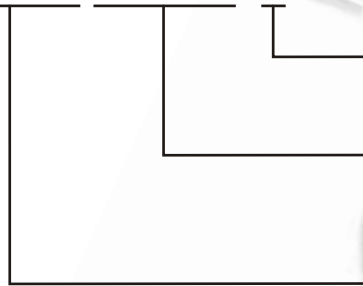
Please visit our website for pricing and availability at www.hestore.hu.



Specification:

- 1) Colour: Gray
- 2) Total Thickness: 0.5 ~ 1 mm
- 3) Material: Silicone
- 4) Continuous Use Temperature: -60°C ~ 180°C
- 5) Dielectric Breakdown Voltage: 6000 VAC
- 6) Volume Resistivity: 10^{12} Ω·cm

SMICA TO220-x



Insulation:

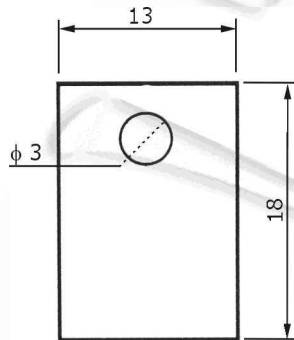
- none - without insulating sleeve
- 2 - with insulating sleeve

Insulating Transistor Case:

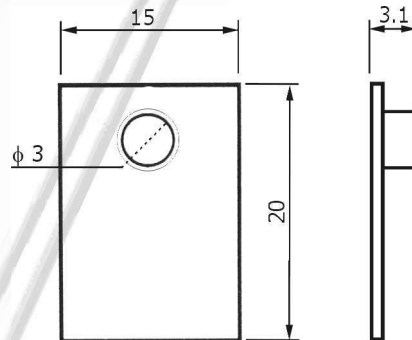
- TO220
- TO3
- SOT93 for SOT93/TOP3

SMICA Silicone Pads

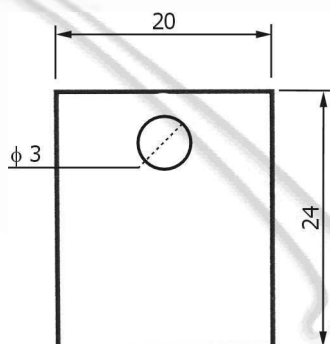
SMICA TO220



SMICA TO220-2



SMICA SOT93



SMICA TO3

