



HESTORE.HU

elektronikai alkatrész áruház

EN: This Datasheet is presented by the manufacturer.

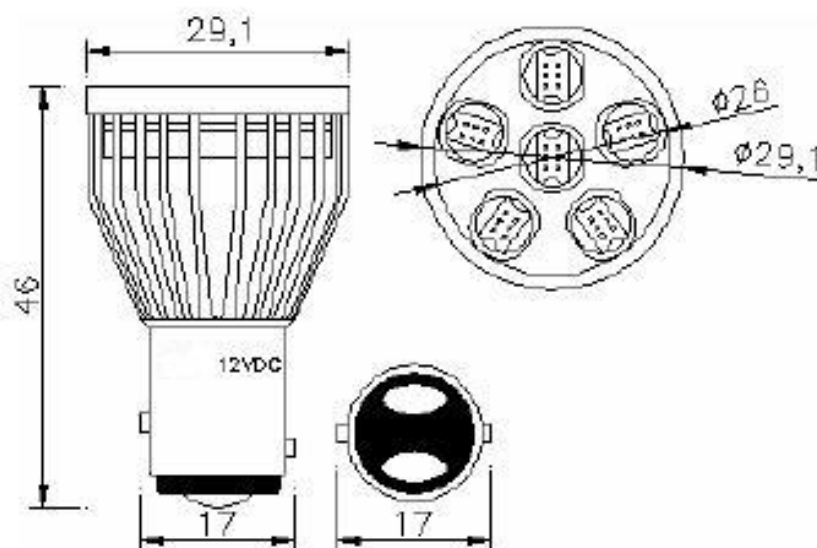
Please visit our website for pricing and availability at www.hestore.hu.

DESCRIPTION:

(A) Electronics and Optical Characteristics: Ta=25°C

	Emitting Color	Forward Voltage (DC)	Totally Luminous Intensity	Dominant Wavelength	Color Temperature	Single LED Intensity	Viewing Angle
		Unit: V	Unit: LM Error margin: ±5%	Unit: nm	Unit: K	Unit: mcd	Unit: deg
BA15D-6RD	Super Red	14.2	54.25/13.54	626~635	<=1000	13180	104.0
BA15D-6AM	Super Yellow	14.2	56.35/14.14	591~595	1643	13570	102.9
BA15D-6GR	Ultra Green	14.2	65.57/21.41	533~525	7307	18490	100.2
BA15D-BL	Ultra Blue	14.2	19.24/4.553	463~460	>=100000	5302	100.8
BA15D-6WH	Super White	14.2	83.54/16.83	X:0.299 Y:0.307	7000~9000	25650	94.8
Test Condition	Power: 2.84/0.71W Current: 200/50 ±10% mA						

Figure:



(B) Absolute Maximum Ratings AT Ta=25°C

PARAMETER	MAX	UNIT
Continuous Forward Current		mA
Peak Forward Current (1/10 Duty Cycle 0.1ms Pulse Width)		mA
Reverse Voltage		V
Operating Temperature Range	-20°C to +50°C	
Storage Temperature Range	-40°C to +100°C	
Lead Solder Temperature 1.6mm Below Package 260°C For 5 seconds		