



HESTORE.HU

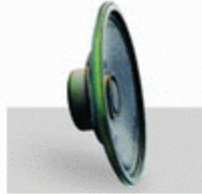
elektronikai alkatrész áruház

EN: This Datasheet is presented by the manufacturer.

Please visit our website for pricing and availability at www.hestore.hu.

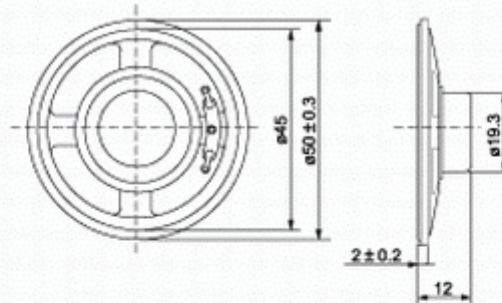
Speaker

Shape



Type(型号)	BLS50-12-32H12
Impedance(at 1kHz)(阻抗)	$32\ \Omega \pm 20\%$
Rated Input(额定功率)	0.25W
Max. Input(最大功率)	0.4W
Resonance Frequency(f_0)(频率)	$400\text{Hz} \pm 20\%$
Frequency Response(频率范围)	$f_0 \dots 4000\text{Hz}$
Output S.P.L.(输出声压)	$85 \pm 3\text{dB}(1\text{W}/1\text{m})$
Membrane	Paper
Storage Temperature(储存温度)	$-10 \dots +40\ \text{ }^\circ\text{C}$

Dimension



Characteristic

