



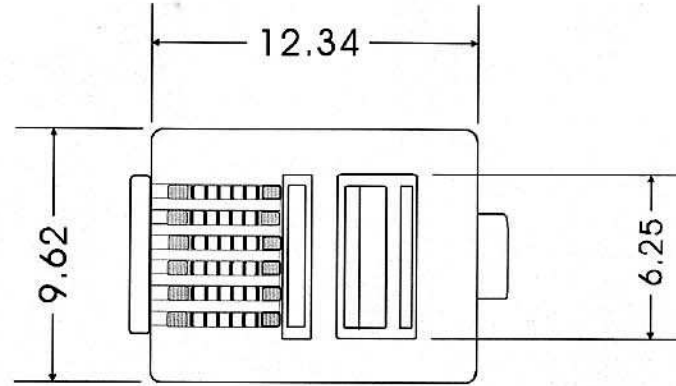
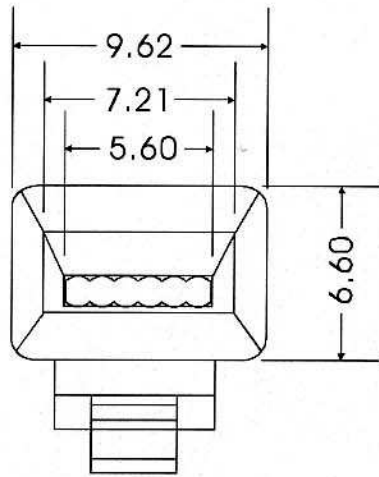
HESTORE.HU

elektronikai alkatrész áruház

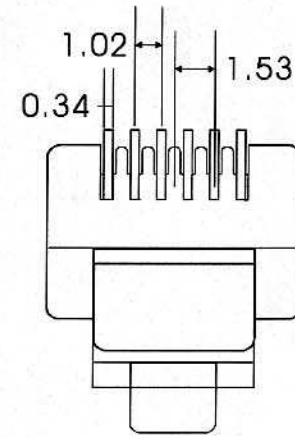
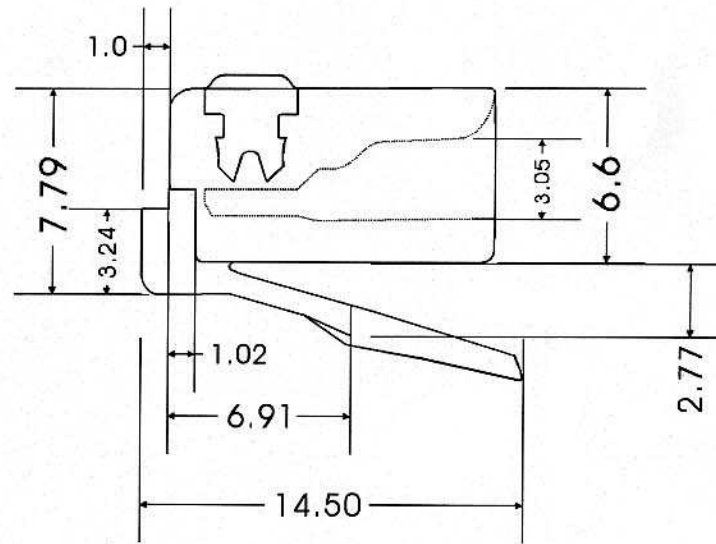
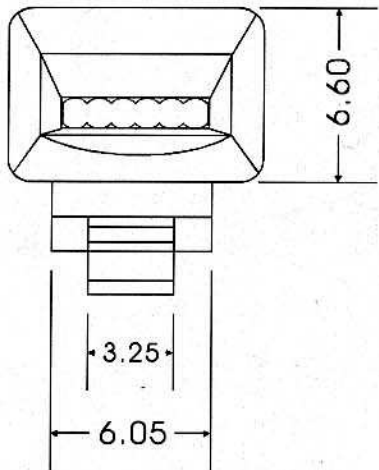
EN: This Datasheet is presented by the manufacturer.

Please visit our website for pricing and availability at www.hestore.hu.

WITH FLAT CABLE



WITH ROUND CABLE



SPECIFICATIONS:

1.ELECTRICAL:

UL APPLICATIONS: 250 VOLTS AC MAX., AT 2 AMPS.
DIELECTRIC WITH STANDING VOLTAGE : 500 VOLTS AC.
INSULATION RESISTANCE: 500
TERMINATION: RESISTANCE 35 MEGAOHMS.

2.MECHANICAL:

CABLE-TO-PLUG TENSILE STRENGTH : 20 lbs (89N) MIN.
DURABILITY : 2000 MATING CYCLES.

3.MATERIAL & FINISH:

HOUSING: POLYCARBONATE, UL94V-0 OR UL94V-2.
COLOR : (TRANSPARENT COLOR AVAILABLE).
CONTACT BLADE: PHOSPHOR BRONZE
CONDUCTOR : STRANDED, 24-26 AWG.
GOLD PLATING: 3-50u" ARE AVAILABLE

UNIT

SCALE

PART NAME

MM

2 : 1

PLUG COVER

APPD.

CKD.

TOLERANCE

PART NO.

REV.

2000/05/14

DWG.

APPROVED

TINA

SHELLEY

± 0.5

A