

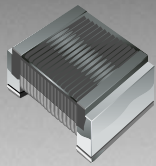


**HESTORE.HU**

elektronikai alkatrész áruház

**EN:** This Datasheet is presented by the manufacturer.

Please visit our website for pricing and availability at [www.hestore.hu](http://www.hestore.hu).



**BOURNS®**

### Features

- 0805 size
- Available in E12 series
- High Q up to 80 typ.
- High operating temperature of 125 °C
- Small size of only 2.0 mm
- Lead Free

### Applications

- Mobil phones
- Cellular phones
- CTV, VCR, HIC, FDD



## CW201212 Series - High Q Chip Inductors

### Electrical Specifications

Bourns Part No.	Inductance		Q	Test Freq. MHz		SRF min.	RDC	I rms
	nH	Tol. %	min.	L	Q	MHz	ohms	mA max.
CW201212-2N2J	2.2	±5	50	250	1000	6000	0.06	600
CW201212-2N7J	2.7	±5	35	250	1000	6000	0.08	600
CW201212-3N3J	3.3	±5	30	250	1500	6000	0.08	600
CW201212-3N9J	3.9	±5	60	250	1000	6000	0.06	600
CW201212-4N7J	4.7	±5	60	250	1000	5800	0.06	600
CW201212-5N6J	5.6	±5	60	250	1000	5800	0.08	600
CW201212-6N8J	6.8	±5	60	250	1000	5800	0.06	600
CW201212-8N2J	8.2	±5	60	250	1000	5500	0.06	600
CW201212-10NJ	10	±5	60	250	500	4800	0.08	600
CW201212-12NJ	12	±5	60	250	500	4100	0.08	600
CW201212-15NJ	15	±5	60	250	500	3600	0.08	600
CW201212-18NJ	18	±5	60	250	500	3400	0.08	600
CW201212-22NJ	22	±5	60	250	500	3300	0.10	600
CW201212-27NJ	27	±5	60	250	500	2600	0.12	600
CW201212-33NJ	33	±5	60	250	500	2400	0.15	500
CW201212-39NJ	39	±5	60	250	500	2100	0.18	500
CW201212-47NJ	47	±5	60	200	500	1700	0.15	500
CW201212-56NJ	56	±5	60	200	500	1600	0.25	500
CW201212-68NJ	68	±5	60	200	500	1450	0.27	500
CW201212-82NJ	82	±5	60	150	500	1350	0.32	500
CW201212-R10J	100	±5	60	150	500	1200	0.43	400
CW201212-R12J	120	±5	50	150	250	1100	0.48	400
CW201212-R15J	150	±5	50	100	250	950	0.67	400
CW201212-R18J	180	±5	50	100	250	900	0.85	350
CW201212-R22J	220	±5	50	100	250	860	1.10	300
CW201212-R27J	270	±5	45	100	250	850	1.46	250
CW201212-R33J	330	±5	45	100	250	800	1.65	200
CW201212-R39J	390	±5	45	100	250	780	2.20	170
CW201212-R47J	470	±5	33	250	100	375	1.72	250
CW201212-R56J	560	±5	23	50	50	340	1.90	230
CW201212-R68J	680	±5	23	25	50	270	2.05	190
CW201212-R82J	820	±5	23	25	50	230	2.30	180
CW201212-R91J	910	±5	22	22	50	220	2.50	150

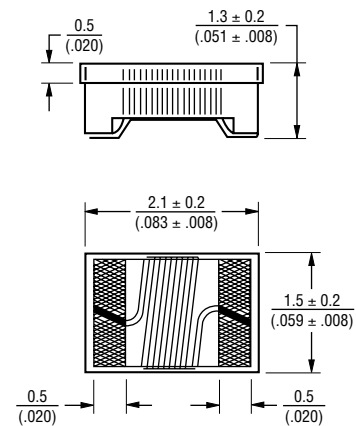
### General Specifications

Temperature Rise .....40 °C max. at rated current  
 Operating Temperature .....-40 °C to +125 °C  
 Storage Temperature ...-40 °C to +125 °C  
 Reflow Soldering ....230 °C, 10 sec. max.  
 Resistance to Soldering Heat .....260 °C, 5 seconds

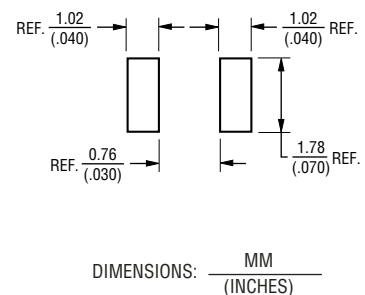
### Materials

Core Material .....Alumina (1CC201211)  
 Wire .....Enamelled Copper (1W1E180)  
 Terminal Electrode .....Mo/Mn+Ni+Au  
 Packaging .....2,000 pcs. per reel

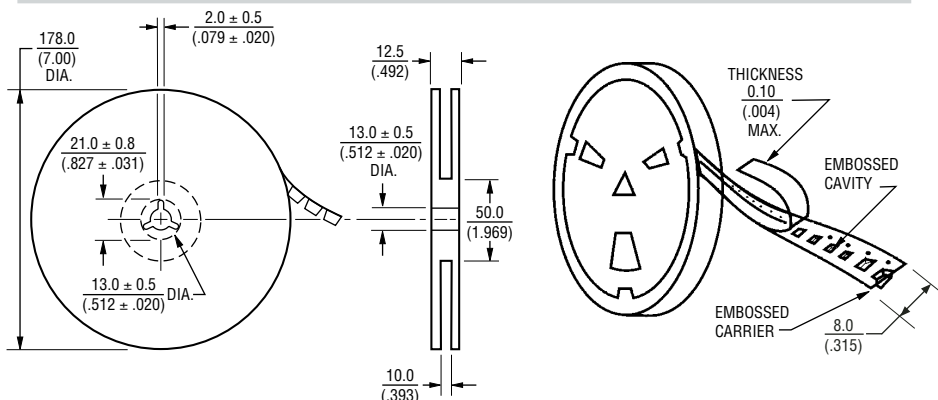
### Product Dimensions



### Recommended Layout



### Packaging Specifications



REV. 08/04  
 NOTE: 2 % TOLERANCE AVAILABLE FOR INDUCTANCE RANGES OF 12 NH AND UP. REPLACE "J" WITH "G".  
 Specifications are subject to change without notice.  
 Customers should verify actual device performance in their specific applications.