



HESTORE.HU

elektronikai alkatrész áruház

EN: This Datasheet is presented by the manufacturer.

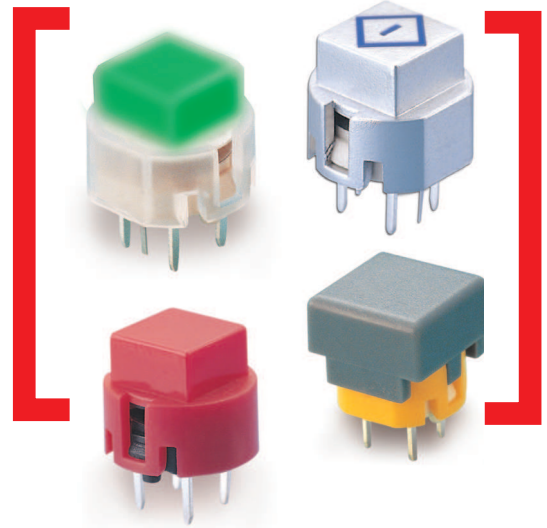
Please visit our website for pricing and availability at www.hestore.hu.

» Features

- A short stroke, light tact feeling and long life switch with a button.
- There are five colors and four shapes available for users' selection. Many & Colorful Accessories Color buttons, color mounting frames, LED lights are available.

» Applications

- Suitable for use in digital circuits of any electronic devices as reset switches, etc.

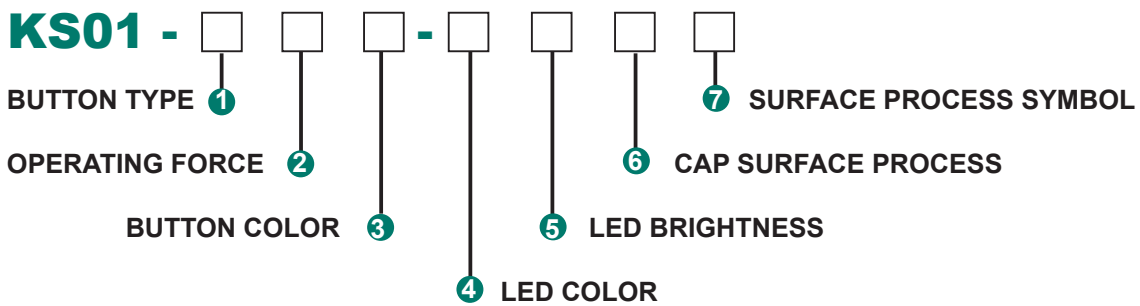


» Specifications

| | |
|-----------------------|---------------------------------|
| Rating | 10mA 35VDC |
| Insulation Resistance | 100MΩ Min(at 250 VDC) |
| Dielectric Strength | AC 250V (50/60 Hz for 1 minute) |
| Contact Resistance | 30mΩ Max. (Initial) |
| Electrically Life | 100,000 Cycles Min |
| Ambient Temperature | -20°C~ +60°C |
| Operating Force | V: 130 ± 50gf M: 250 ± 50gf |



» Product selection



1 BUTTON TYPE



ILLUMINATED

TACT SWITCHES

2 OPERATING FORCE

| | |
|---|------------|
| V | 130 ± 50gf |
| M | 250 ± 50gf |

3 BUTTON COLOR

| | |
|----|-------------|
| _ | illuminated |
| R | Red |
| Y | Yellow |
| G | Green |
| B | Blue |
| W | White |
| BK | Black |

4 LED COLOR

| | |
|----|-----------------|
| 1 | Red |
| 2 | Yellow |
| 3 | Green |
| 4 | Blue |
| 5 | White |
| 6 | Pure Green |
| 12 | Red / Yellow |
| 13 | Red / Green |
| 23 | Yellow/ Green |
| _ | Non-illuminated |

5 LED BRIGHTNESS

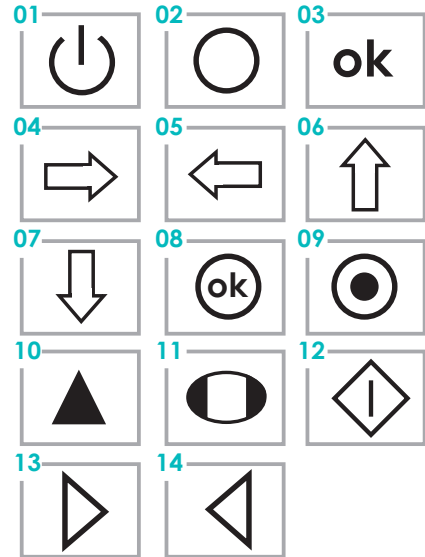
| | |
|---|---------------|
| _ | Standard |
| C | Customization |

6 CAP SURFACE PROCESS

| | |
|---|---------------|
| 1 | Misty Silver |
| 2 | Bright Silver |
| 3 | Gold |

7 CAP SURFACE

PROCESS SYMBOL



» LED Specifications

| Color | VR | IF | Recommended Operating Current | VF | |
|--------|-------|------|-------------------------------|------|------|
| | | | | Nom | Max |
| Red | DC 5V | 20mA | 20mA | 1.7V | 2.4V |
| Green | DC 5V | 20mA | 20mA | 1.9V | 2.4V |
| Yellow | DC 5V | 20mA | 20mA | 1.9V | 2.4V |
| Blue | DC 5V | 20mA | 20mA | 3.0V | 3.6V |
| White | DC 5V | 20mA | 20mA | 3.0V | 3.6V |

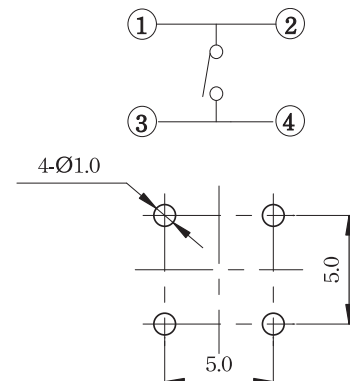
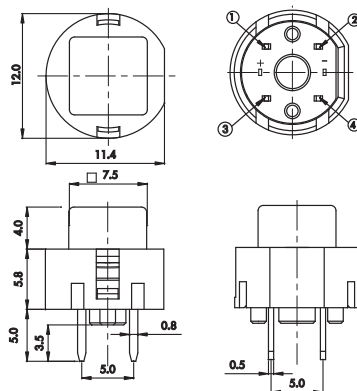
» Operating characteristics

Unit: mm

Dimensions

Circuit P.C.B Layout

KS01-A



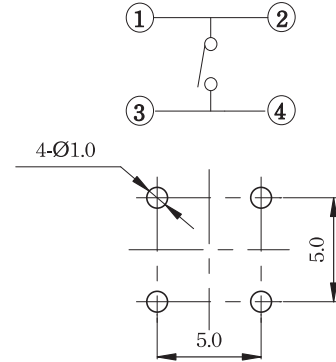
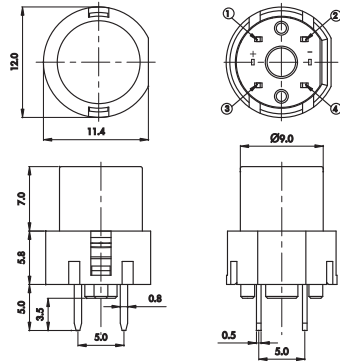
» Operating characteristics

Unit: mm

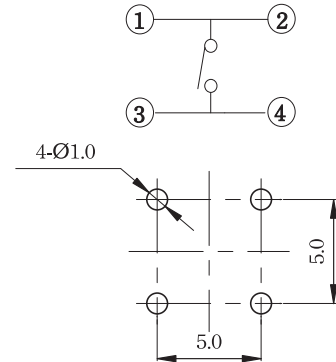
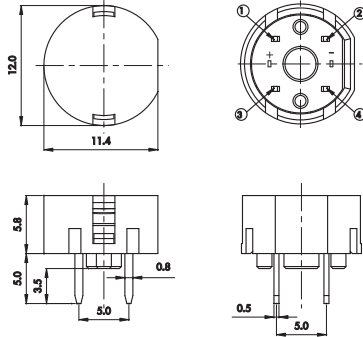
Dimensions

Circuit P.C.B Layout

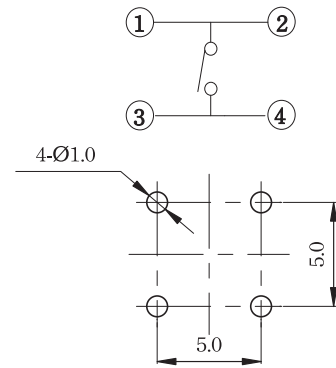
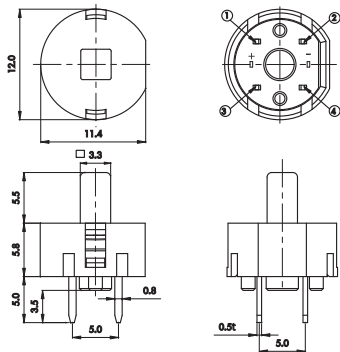
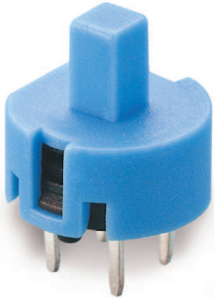
KS01-B



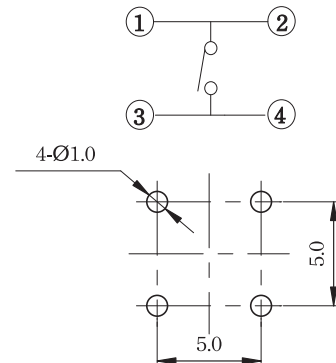
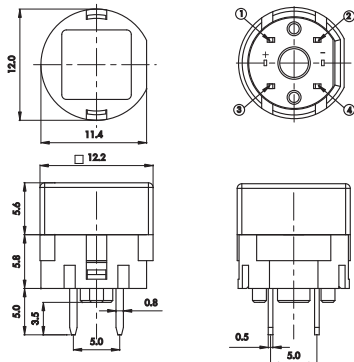
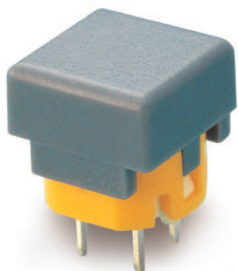
KS01-C



KS01-D



KS01-F



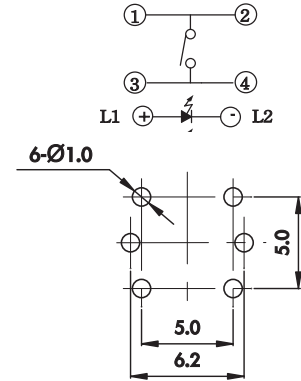
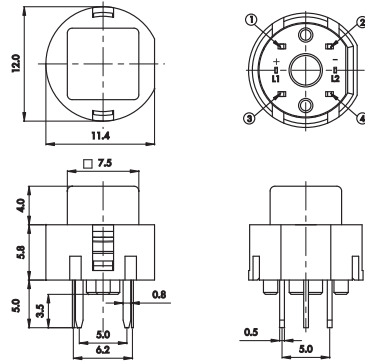
» Operating characteristics

Unit: mm

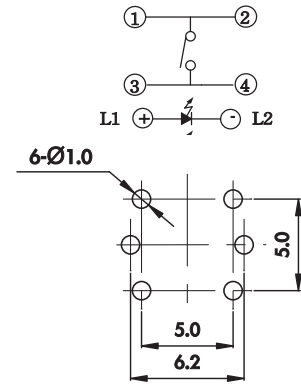
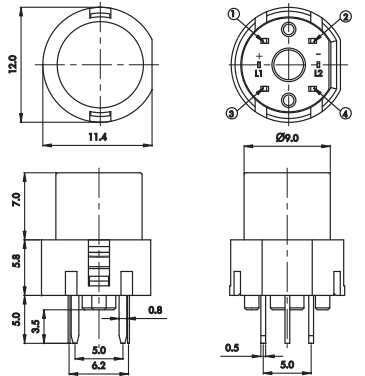
Dimensions

Circuit P.C.B Layout

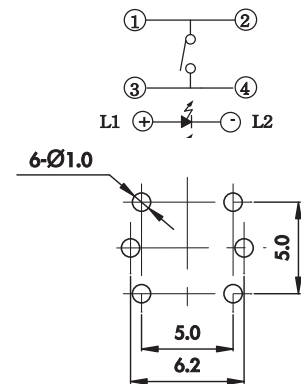
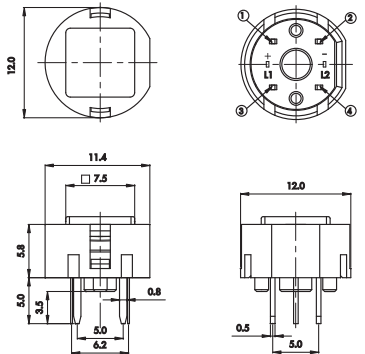
KS01-AL



KS01-BL



KS01-EL



KS01-EL1

