



**HESTORE.HU**

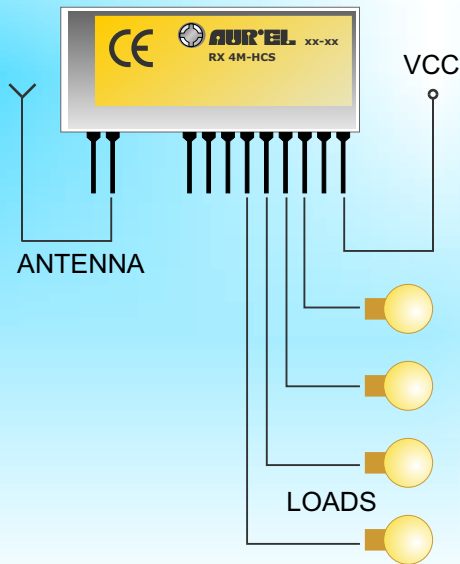
elektronikai alkatrész áruház

**EN:** This Datasheet is presented by the manufacturer.

Please visit our website for pricing and availability at [www.hestore.hu](http://www.hestore.hu).

# High Selectivity Receiver with HCS<sup>(1)</sup> Decoder Embedded

## RX 4M-HCS

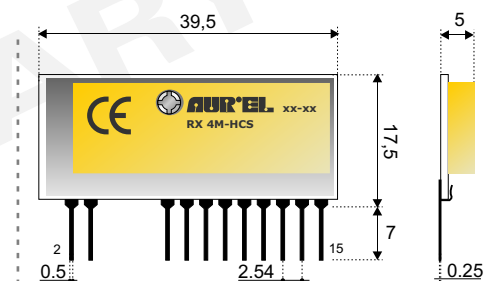


**-106dBm<sup>(2)</sup>**

### Pin-out

- 2) Ground
- 3) Antenna
- 7) Ground
- 8) Test point - Analog Out RX
- 9) Programming push-button
- 10) Out Ch1 - Open collector
- 11) Out Ch2 - Open collector
- 12) Out Ch3 - Open collector
- 13) Out Ch4 - Open collector
- 14) LED
- 15) +V

### Outline



## Description

### High sensitivity receiver with HCS decoder embedded.

Its monostable and bistable modes and the open collector outputs make it an ideal solution for remote controlling devices like gate door openers, burglar alarm systems and whatever application requiring HCS decoding feature.

## Descrizione

### Ricevitore ad elevata selettività con decodifica HCS integrata.

La modalità monostabile, bistabile e la presenza di uscite di tipo open collector, lo rendono ideale come elemento di controllo in apparati tipo apricancello, antifurto e genericamente in applicazione ove richiesta la codifica del canale.

## Technical Specification

Ta = 25 °C

Characteristics		Min	Typ	Max	Unit
Supply Voltage	Corrente Assorbita	4.75	5	5.25	Vdc
Supply Current	Alimentazione		3	5	mA
Reception frequency	Frequenza di ricezione		433.92		MHz
<b>RF sensitivity<sup>(2)</sup></b>	<b>Sensibilità RF<sup>(2)</sup></b>	-103	-106 <sup>(2)</sup>	-107	dBm
IF Bandwidth - 3dB	Banda passante IF a - 3dB		600		KHz
Interference rejection at ± 10 Mhz	Reiezione alle Interferenze a ± 10 Mhz	60			dB
Square wave output	Onda quadra in uscita		2	3	KHz
Antenna RF emission	Emissioni RF spurie in antenna			- 60	dB
Switch-on time	Tempo di accensione			2	sec
Operating temperature range	Temperatura di lavoro	-20		+80	°C
Open collector output	Uscita Open collector			100	mA

<sup>(1)</sup> HCS is Trade Mark of Microchip

<sup>(2)</sup> RF generator with 100% modulation