



**HESTORE.HU**

elektronikai alkatrész áruház

**EN:** This Datasheet is presented by the manufacturer.

Please visit our website for pricing and availability at [www.hestore.hu](http://www.hestore.hu).

IS620, IS621, IS622, IS623  
IS621X, IS622X, IS623X



**ISOCOM**  
COMPONENTS

**OPTICALLY COUPLED BILATERAL  
SWITCH LIGHT ACTIVATED ZERO  
VOLTAGE CROSSING TRIAC**



**APPROVALS**

- UL recognised, File No. E91231 Package System " TT "
- 'X' SPECIFICATION APPROVALS
- IS621, IS622, IS623 approved to VDE 0884 in 3 available lead form : -  
- STD  
- G form  
- SMD approved to CECC 00802

**DESCRIPTION**

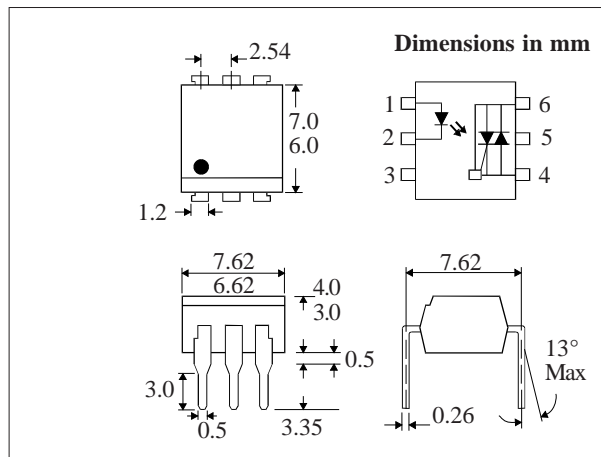
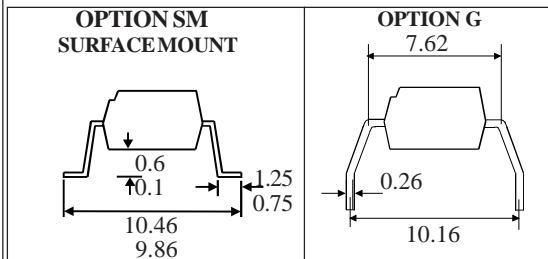
The IS62\_ Series are optically coupled isolators consisting of a Gallium Arsenide infrared emitting diode coupled with a monolithic silicon detector performing the functions of a zero crossing bilateral triac mounted in a standard 6 pin dual-in-line package.

**FEATURES**

- Options :-  
10mm lead spread - add G after part no.  
Surface mount - add SM after part no.  
Tape & reel - add SMT & R after part no.
- High Isolation Voltage (5.3kV<sub>RMS</sub>)
- Zero Voltage Crossing
- 600V Peak Blocking Voltage
- All electrical parameters 100% tested
- Custom electrical selections available

**APPLICATIONS**

- CRTs
- Power Triac Driver
- Motors
- Consumer appliances
- Printers



**ABSOLUTE MAXIMUM RATINGS  
(25 °C unless otherwise noted)**

Storage Temperature \_\_\_\_\_ -55°C - +150°C  
Operating Temperature \_\_\_\_\_ -40°C - +100°C  
Lead Soldering Temperature \_\_\_\_\_ 260°C  
(1.6mm from case for 10 seconds)

**INPUT DIODE**

Forward Current \_\_\_\_\_ 50mA  
Reverse Voltage \_\_\_\_\_ 6V  
Power Dissipation \_\_\_\_\_ 120mW  
(derate linearly 1.41mW/°C above 25°C)

**OUTPUT PHOTO TRIAC**

Off-State Output Terminal Voltage \_\_\_\_\_ 600V  
Forward Current (Peak) \_\_\_\_\_ 1A  
Power Dissipation \_\_\_\_\_ 150mW  
(derate linearly 1.76mW/°C above 25°C)

**POWER DISSIPATION**

Total Power Dissipation \_\_\_\_\_ 250mW  
(derate linearly 2.94mW/°C above 25°C)

**ISOCOM COMPONENTS 2004 LTD**

Unit 25B, Park View Road West,  
Park View Industrial Estate, Brenda Road  
Hartlepool, Cleveland, TS25 1UD  
Tel: (01429) 863609 Fax: (01429) 863581

**ELECTRICAL CHARACTERISTICS (  $T_A = 25^\circ\text{C}$  Unless otherwise noted )**

PARAMETER		MIN	TYP	MAX	UNITS	TEST CONDITION
Input	Forward Voltage ( $V_F$ ) Reverse Current ( $I_R$ )		1.2 0.05	1.4 10	V $\mu\text{A}$	$I_F = 20\text{mA}$ $V_R = 6\text{V}$
Output	Peak Off-state Current ( $I_{\text{DRM}}$ ) Peak Blocking Voltage ( $V_{\text{DRM}}$ ) On-state Voltage ( $V_{\text{TM}}$ )  Critical rate of rise of off-state Voltage ( $dv/dt$ )	600		500  3.0	nA V V	$V_{\text{DRM}} = 600\text{V}$ (note 1 ) $I_{\text{DRM}} = 500\text{nA}$ $I_{\text{TM}} = 100\text{mA}$ ( peak )
Coupled	Input Current to Trigger ( $I_{\text{FT}}$ )(note 2 ) IS620 IS621 IS622 IS623  Holding Current , either direction ( $I_H$ ) Input to Output Isolation Voltage $V_{\text{ISO}}$		400	30 15 10 5	mA mA mA mA  $\mu\text{A}$ $V_{\text{RMS}}$	$V_{\text{TM}} = 3\text{V}$ ( note 2 )      See note 3
Zero Crossing Charact- -eristic	Inhibit Voltage ( $V_{\text{IH}}$ )  Leakage in Inhibited State ( $I_S$ )			500	20  $\mu\text{A}$	$I_F = \text{Rated } I_{\text{FT}}$ MT1-MT2 Voltage above which device will not trigger $I_F = \text{Rated } I_{\text{FT}}$ $V_{\text{DRM}} = 600\text{V}$ off-state

Note 1. Test voltage must be applied within  $dv/dt$  rating.

Note 2. Guaranteed to trigger at an  $I_F$  value less than or equal to max.  $I_{\text{FT}}$ , recommended  $I_F$  lies between Rated  $I_{\text{FT}}$  and absolute max.  $I_{\text{FT}}$ .

Note 3. Measured with input leads shorted together and output leads shorted together.