

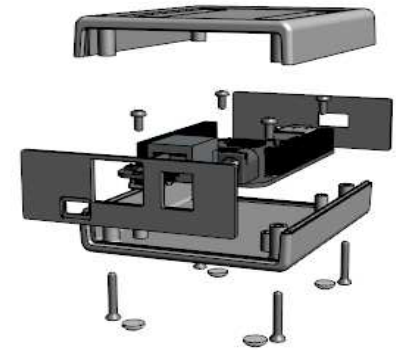
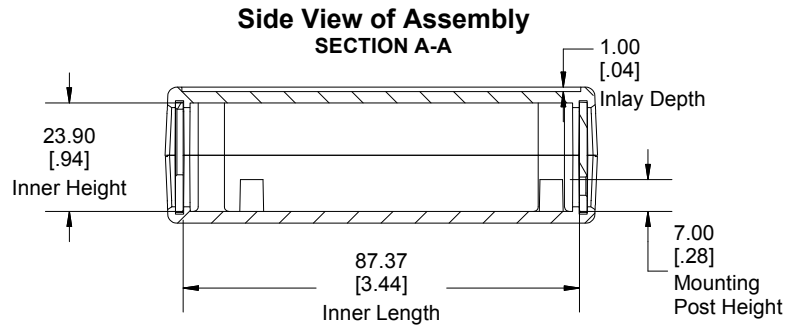


HESTORE.HU

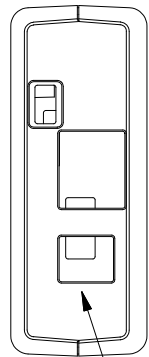
elektronikai alkatrész áruház

EN: This Datasheet is presented by the manufacturer.

Please visit our website for pricing and availability at www.hestore.hu.

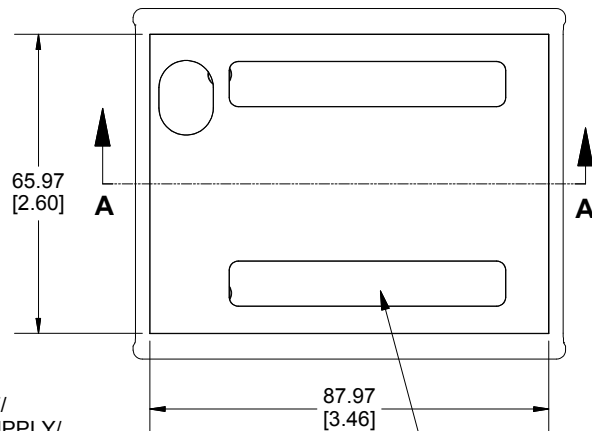


End View of Assembly



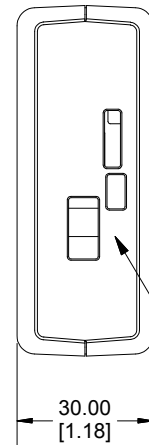
ETHERNET/
POWER SUPPLY/
MINI USB

Top View of Assembly



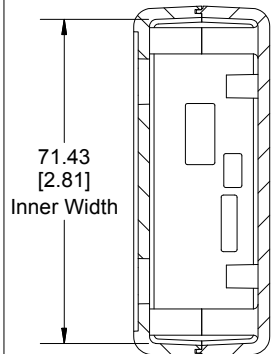
TOP ACCESS CUT-OUTS

End View of Assembly

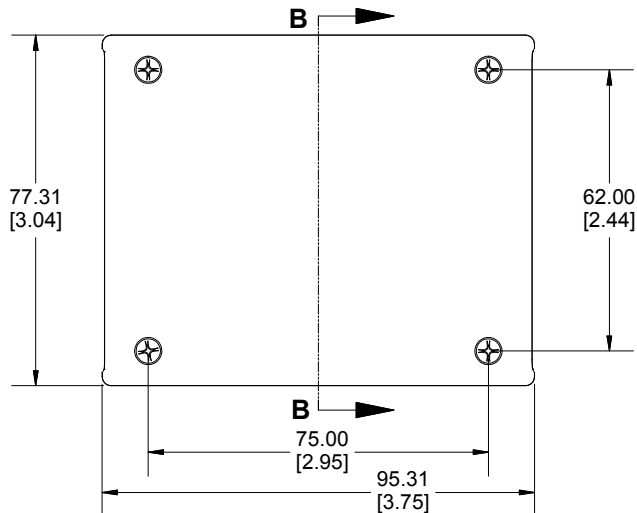


USB/
MICRO SD/
MINI HDMI

Bottom View of Assembly



SECTION B-B



NOTE
Purchased assembly includes top and bottom cover, front and rear end panels, 4 cover screws, 4 PCB screws and 4 clear rubber feet. (P.C. Board not included)
Enclosure molded from ABS Plastic.

PART NUMBERS	
1593HAMBONE Enclosure	
Black Enclosure	1593HAMBONEBK
Grey Enclosure	1593HAMBONEGY
Translucent Blue Enclosure	1593HAMBONETBU

Dimensions:
mm
[inches]

**HAMMOND
MANUFACTURING™**
1593HAMBONE
www.hammondmfg.com