



HESTORE.HU

elektronikai alkatrész áruház

EN: This Datasheet is presented by the manufacturer.

Please visit our website for pricing and availability at www.hestore.hu.



4D SYSTEMS
TURNING TECHNOLOGY INTO ART

4D 7.0" LCD CAPE

Beagle Bone Black 7.0" LCD CAPE

DATASHEET

Document Date: 15th October 2013
Document Revision: 1.0

Contents

1. Description	3
2. Features	3
3. Getting Started	4
3.1. Requirements.....	4
3.2. How to use the 4D 7.0" LCD CAPE.....	4
3.3. Changing the brightness (Angstrom)	4
3.4. Changing the brightness (Android)	5
3.5. Calibrating resistive touch (Angstrom).....	5
3.6. Android Information	5
3.7. Secondary Headers	5
4. EEPROM Details	5
4.1. 4DCAPE-70T EEPROM	5
5. Notes	6
6. Scribble Box	6
7. Schematic Diagram	7
8. Mechanical Details	8
9. Ordering Information	9
10. Legal Notice	10
11. Contact Information	10

1. Description

The 4D 7.0" LCD CAPE is a cape specifically designed for the Beagle Bone Black (BBB), and provides a 7.0" primary display for the BBB for direct user interaction and information display, along with the ability for additional CAPES to be attached at the same time.

The 4DCAPE-70T is **not** compatible with the previous Beagle Bone (Beagle Bone White), and can only be used with the Beagle Bone Black.

The 4D 7.0" LCD CAPE features a 7.0" TFT LCD 800x480 resolution display with Resistive Touch.

The 4DCAPE-70T utilises the drivers developed for the CircuitCo LCD7 00A3, however provides a different form factor and pricing point to the LCD7.

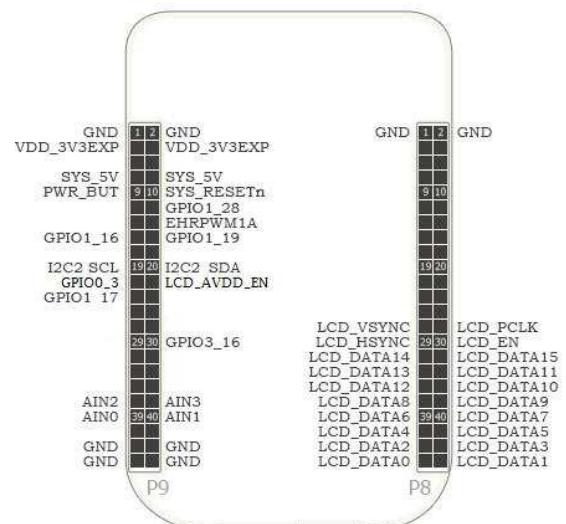
The Beagle Bone Black connects directly to the back of the 4DCAPE-70T, and provides everything the CAPE requires such as power and display signals. Another CAPE can be added to the secondary connectors on the back of the 4DCAPE-70T if required.

The 4D 7.0" LCD CAPE features 7 push buttons below the screen, LEFT, RIGHT, UP, DOWN, ENTER, RESET and POWER, along with 2 LED's to indicate Power and User Status (normally heartbeat).

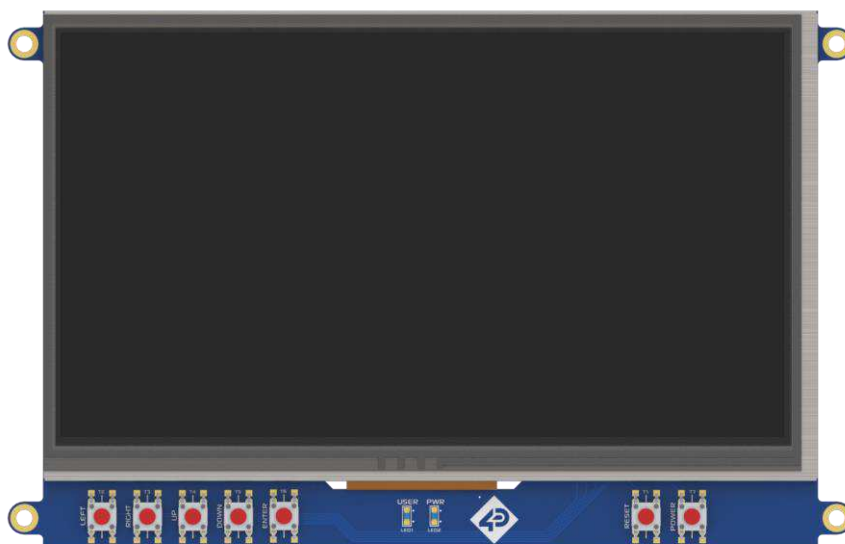
Mounting of the 4DCAPE-7.0T is achieved with the 4x 3.5mm mounting holes present on the CAPE, enabling standard M3 or #6-32 screws to fasten the 4DCAPE-7.0 as required.

2. Features

- 7.0" TFT LCD CAPE for the Beagle Bone Black
- Available only with Resistive Touch (4DCAPE-70T)
- 7 push buttons including LEFT, RIGHT, UP, DOWN, ENTER, RESET and POWER
- 2 LED Lights for Power and User
- 2x2 Jumper with shunts for EEPROM CAPE ID selection
- Module dimensions: 179.9 x 114.9 x 19.5mm
- Module dimensions with Beagle Bone Black connected: Approx 179.9 x 114.9 x 19.5mm
- 4x 3.5mm Mounting holes
- RoHS and CE Compliant.



Used pins for 4DCAPE-70T (Header's P1)



3. Getting Started

3.1. Requirements

The 4D 7.0" LCD CAPE is designed to work with existing software and drivers already developed for the Beagle Bone Black.

The Requirements for use are:

- 4DCAPE-70T Cape
- Beagle Bone Black (BBB) with suitable distribution loaded
- 5V DC Supply suitable for the Beagle Bone Black, recommended 2A @ 5V.
- A Stylus is recommended for accurate touch, however is not required.

3.2. How to use the 4D 7.0" LCD CAPE

The following steps should be all that is required in order to use the 4DCAPE-70T:

1. Connect the 4DCAPE-70T to the Beagle Bone Black while the Beagle Bone Black is not powered. Outline of the BBB is printed on the back of the 4DCAPE-70T as a guide for orientation.
2. If using with other cape's, ensure the 4DCAPE-70T is not conflicting pin wise to any other cape installed.
3. Ensure the DIP Switch on the CAPE is set to a different EEPROM ID to any other capes.
4. Ensure your Beagle Bone Black is loaded with a suitable Linux distribution which is compatible with the existing CircuitCo LCD7 00A3 CAPE or 4D Systems 4DCAPE-70T. Angstrom release 20.06.2013 or later is required. Android 4.2.2 has also been tested and functions correctly. Other distributions may also be compatible with this display.
5. Connect a 5V Supply to the DC Jack of the Beagle Bone Black. It is recommended to use a 2A supply to ensure sufficient supply.
6. Once power is connected, something should be displayed on the 4DCAPE-70T as it is booted. Once booted, the system should automatically log in (assuming Angstrom Linux distribution is used), and the Touch Screen Calibration Utility should load automatically. If using the 4DCAPE-70T without touch, this can be exited and ignored.
7. Calibrate the 4DCAPE-70T using the utility by following the on screen instructions. If the

utility is closed, it is available again under the System – Administration menu.

8. Complete – the Angstrom desktop should be displayed on the 4DCAPE-70T and is ready for use, else Andoid etc.

For support of the BBB and various distributions, please seek support from the respective websites associated with the BBB itself or the distributions.

A good place to start for information and support regarding the BBB and various distributions available, is www.beagleboard.org

This website details how to update your software on the BBB and the current version of Angstrom available for the BBB

http://circuitco.com/support/index.php?title=Updating_The_Software

This website details how to update your software on the BBB for the current version of Andoid.

http://downloads.ti.com/sitara_android/esd/TI_Android_DevKit/TI_Android_JB_4_2_2_DevKit_4_1_1/index_FDS.html

For support regarding the 4DLCD-70T CAPE hardware itself, please go to the 4D Systems website and either contact Support directly, or use the 4D Systems Forum. www.4dsystems.com.au

3.3. Changing the brightness (Angstrom)

By default the backlight brightness of the 4D CAPE 7.0 is set to 50% with Angstrom distribution (20.06.2013). It is possible to change the backlight brightness as the backlight is PWM controlled.

Please note, these instructions may become obsolete as new versions of Angstrom are released, or if different distributions are used.

One method is to SSH into the Beaglebone Black from your PC, and set the backlight value that way. Note this does not persist over restarts, so this would need to be entered into a startup script if the setting is required to be set each startup.

At the command prompt, type the following:

```
cd /sys/class/backlight/backlight.10/
echo 100 > brightness
```

Where 100 represents 100%, this can be changed to any number from 0 to 100 as required.

3.4. Changing the brightness (Android)

Changing the brightness on Android is simple. Navigate to the Settings menu, and to the Display option, and then to Brightness. Slide the slider to the desired position.

3.5. Calibrating resistive touch (Angstrom)

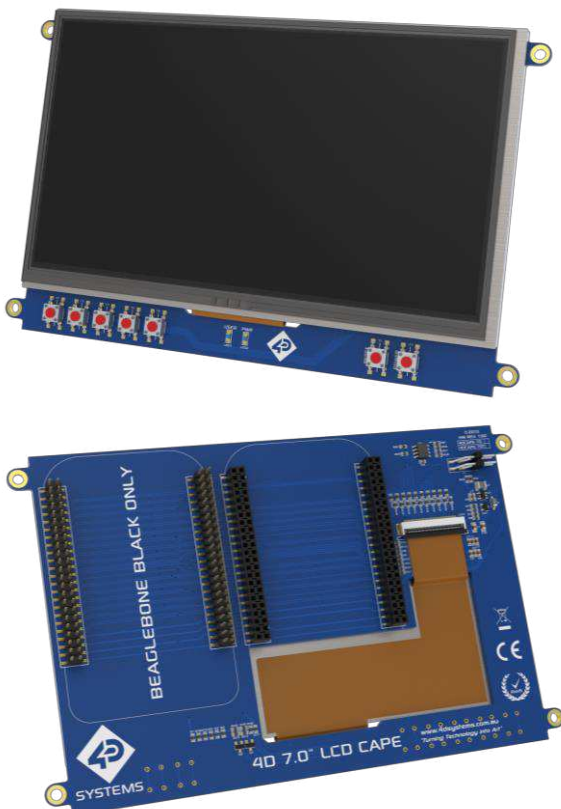
When a distribution is used for the first time with a 4DCAPE-70T, the default calibration application that comes with the Angstrom distribution is started automatically (Refer to section 3.2) on startup of Angstrom. If the calibration is however input incorrectly and it is required to be set again, a file must be deleted manually in order to then recalibrate the display.

Note, this may change as newer distributions of Angstrom become available, or if different distributions are used, so these instructions may become obsolete or inaccurate.

One method is to SSH into the BBB using your PC, navigate to the following folder and delete the specified file. Another is to connect a USB Mouse to navigate around using the 4DCAPE-70T, and delete the file that way.

```
/etc/pointercal.xinput
```

Once this file has been deleted, the calibration utility can be run again.



3.6. Android Information

The 4DCAPE-70T is compatible with Android 4.2.2 and has been tested with an image from TI (see section 3.2).

It has been noticed however that the EEPROM Jumper may need to be set to something other than both disconnected (0x57) else the CAPE may not be detected by the Android OS.

3.7. Secondary Headers

The 4DCAPE-70T features secondary headers (P2_A and P2_B) for another cape to be attached. Please refer to the schematic at the end of this datasheet in Section 7 to see which pins/IO from the BBB feature on the secondary headers.

It is up to the user to determine which capes are compatible based on which I/O is available.

4. EEPROM Details

On the 4D 7.0" LCD CAPE there is an EEPROM which is used to configure the Beagle Bone Black with the appropriate configuration in order to use the Cape.

Please note: some EEPROM content refers to the LCD7 00A3 which is made by CircuitCo. This is the case due to how the BBB identifies the CAPE and what drivers to apply to it. Since the 4DCAPE-70T utilises the LCD7 drivers, this must be the case.

4.1. 4DCAPE-70T EEPROM

EEPROM Support: YES

Board Name: 4D 7.0 LCD CAPE - 4DCAPE-70T

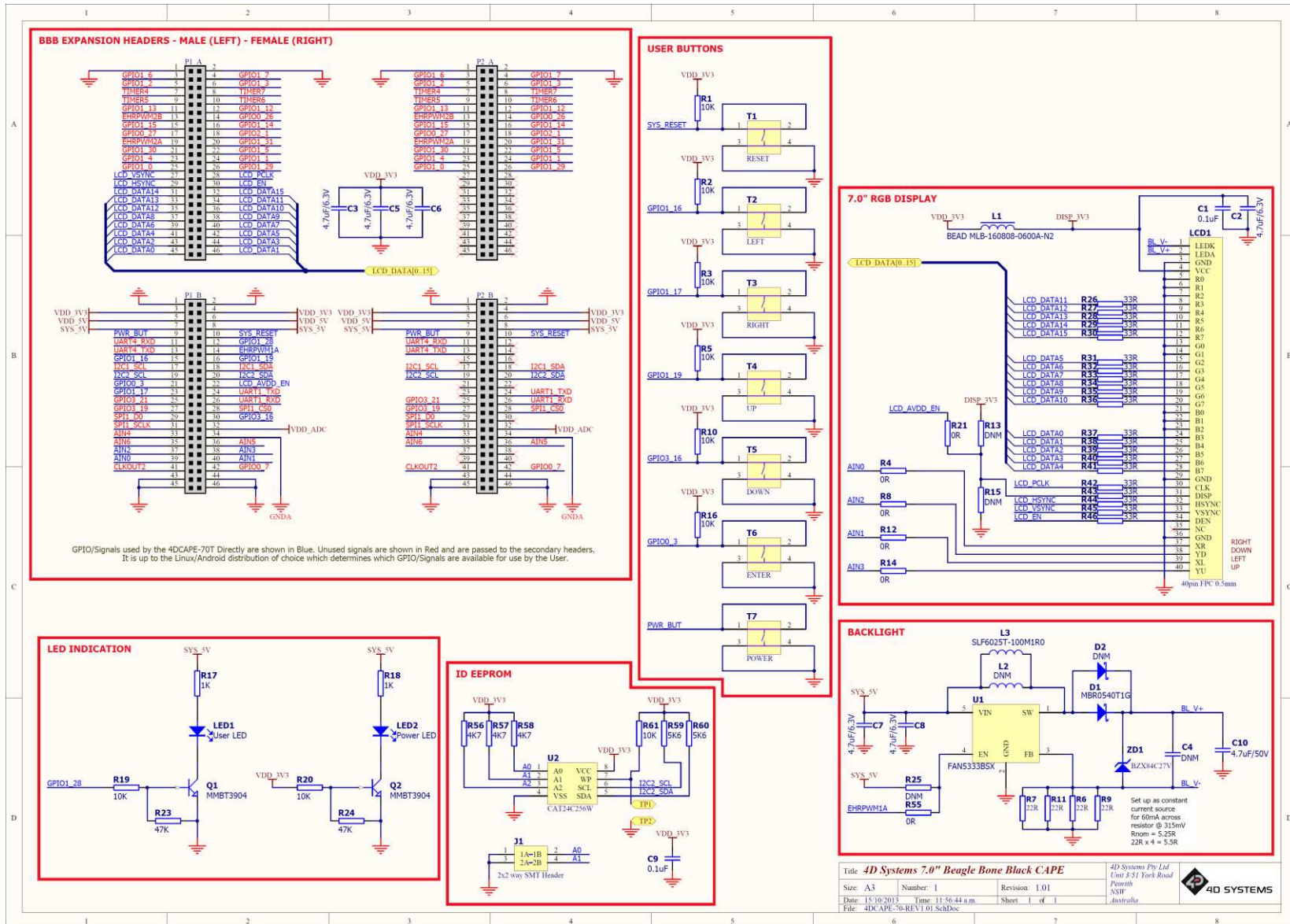
Manufacturer: 4D Systems

Note (*): The Beaglebone, Beaglebone Black and Beagleboard remains the property of beaglebone.org. All references to the words Beaglebone, Beaglebone Black, Beagleboard are licensed under a Creative Commons Attribution-Share Alike 3.0 license.

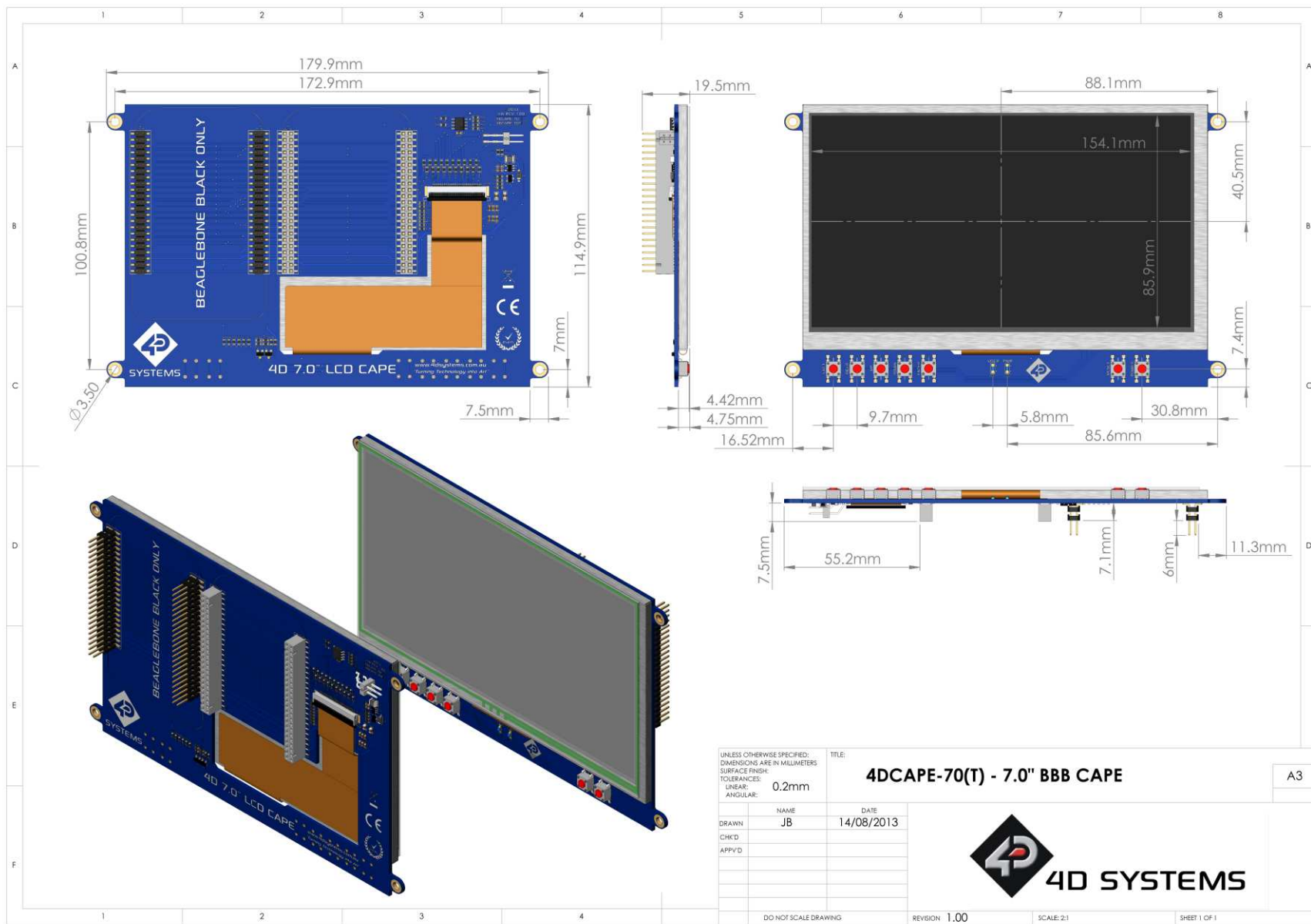
All references to CircuitCo and LCD7 remain the property of CircuitCo and beagleboardtoys.org and are not affiliated to 4D Systems in any way.

7. Schematic Diagram

4D 7.0" LCD CAPE - BBB



8. Mechanical Details



9. Ordering Information

ORDERING INFORMATION

Order Code:

4DCAPE-70T

Packaging: Module sealed in antistatic foam padded 4D Systems Box

10. Legal Notice

Proprietary Information

The information contained in this document is the property of 4D Systems Pty. Ltd. and may be the subject of patents pending or granted, and must not be copied or disclosed without prior written permission.

4D Systems endeavours to ensure that the information in this document is correct and fairly stated but does not accept liability for any error or omission. The development of 4D Systems products and services is continuous and published information may not be up to date. It is important to check the current position with 4D Systems. 4D Systems reserves the right to modify, update or make changes to Specifications or written material without prior notice at any time.

All trademarks belong to their respective owners and are recognised and acknowledged.

Disclaimer of Warranties & Limitation of Liability

4D Systems makes no warranty, either expressed or implied with respect to any product, and specifically disclaims all other warranties, including, without limitation, warranties for merchantability, non-infringement and fitness for any particular purpose.

Information contained in this publication regarding device applications and the like is provided only for your convenience and may be superseded by updates. It is your responsibility to ensure that your application meets with your specifications.

Images and graphics used throughout this document are for illustrative purposes only. All images and graphics used are possible to be displayed on the 4D Systems range of products, however the quality may vary.

In no event shall 4D Systems be liable to the buyer or to any third party for any indirect, incidental, special, consequential, punitive or exemplary damages (including without limitation lost profits, lost savings, or loss of business opportunity) arising out of or relating to any product or service provided or to be provided by 4D Systems, or the use or inability to use the same, even if 4D Systems has been advised of the possibility of such damages.

4D Systems products are not fault tolerant nor designed, manufactured or intended for use or resale as on line control equipment in hazardous environments requiring fail – safe performance, such as in the operation of nuclear facilities, aircraft navigation or communication systems, air traffic control, direct life support machines or weapons systems in which the failure of the product could lead directly to death, personal injury or severe physical or environmental damage ('High Risk Activities'). 4D Systems and its suppliers specifically disclaim any expressed or implied warranty of fitness for High Risk Activities.

Use of 4D Systems' products and devices in 'High Risk Activities' and in any other application is entirely at the buyer's risk, and the buyer agrees to defend, indemnify and hold harmless 4D Systems from any and all damages, claims, suits, or expenses resulting from such use. No licenses are conveyed, implicitly or otherwise, under any 4D Systems intellectual property rights.

11. Contact Information

For Technical Support: support@4dsystems.com.au

For Sales Support: sales@4dsystems.com.au

Website: www.4dsystems.com.au

Copyright 4D Systems Pty. Ltd. 2000-2013.