



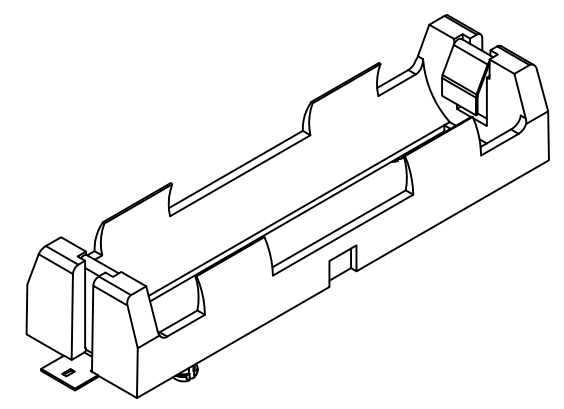
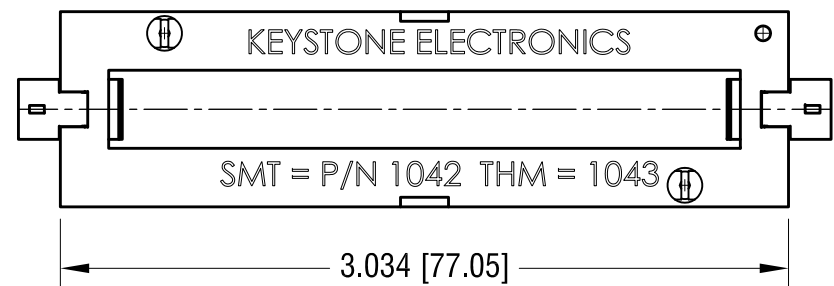
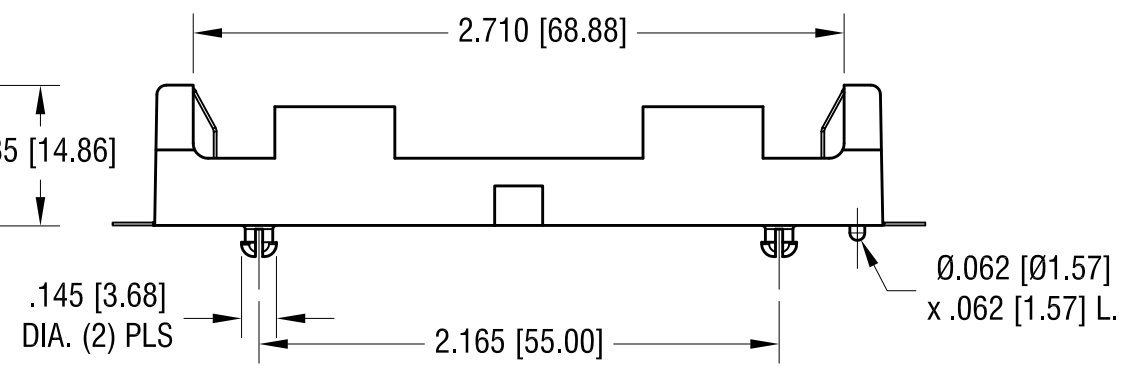
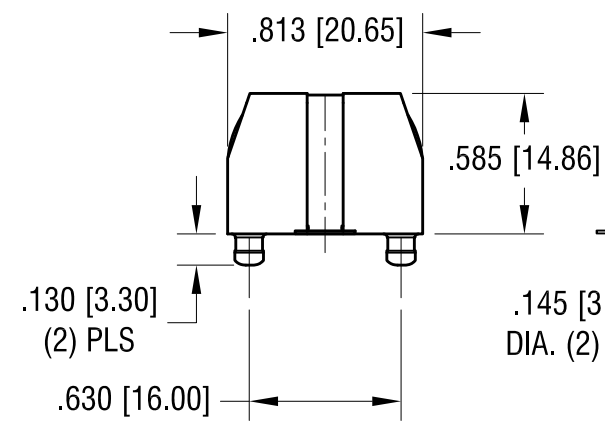
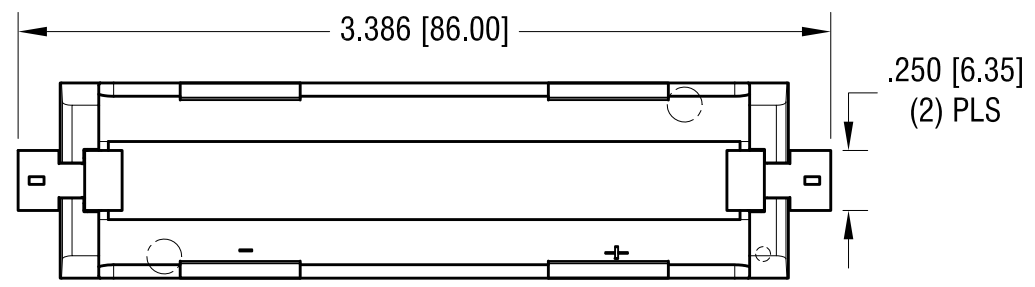
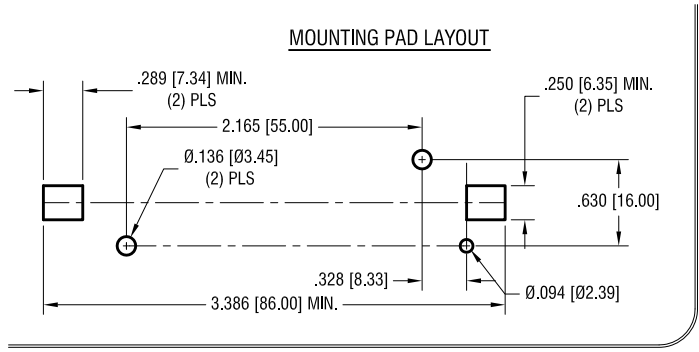
**HESTORE.HU**

elektronikai alkatrész áruház

**EN:** This Datasheet is presented by the manufacturer.

Please visit our website for pricing and availability at [www.hestore.hu](http://www.hestore.hu).

DATE	DESCRIPTION	REV.
10.24.10	AS PER ECN 10-062	A
10.04.10	CHANGE AS PER ECN 10-069	B
10.26.10	CHANGE AS PER ECN 10-075	C



NOTE:  
 1. BASE:  
 MAT'L: HEAT RESISTANCE NYLON  
 STANYL 46 OR EQUIVALENT  
 2. CONTACT:  
 MAT'L: .012 [0.30] THK PHOSPHOR BRONZE  
 FINISH: GOLD FLASH, OVER NICKEL PLATE

THIS DOCUMENT IS THE PROPERTY OF  
 KEYSTONE ELECTRONICS CORP. AND  
 SHALL NOT BE REPRODUCED, DISTRIBUTED  
 OR USED AS A BASIS FOR MANUFACTURE  
 WITHOUT PRIOR WRITTEN PERMISSION  
 FROM KEYSTONE ELECTRONICS CORP.

<b>KEYSTONE ELECTRONICS CORP.</b>			
www.keyelco.com • ASTORIA, N.Y. 11105-2017 • Tel (718) 956-8900			
PART NAME PC BATTERY HOLDER , 18650			
MATERIAL AS NOTED			
FINISH AS NOTED		DRN BY NT	DATE 8.19.10
		APPD LN	SCALE 1.25X
TOLERANCES DECIMAL ANGULAR	INCH ± .010 [± 0.25 ] ± 1°	CODE C	DWG NO. 1042
UNLESS OTHERWISE SPECIFIED			