



HESTORE.HU

elektronikai alkatrész áruház

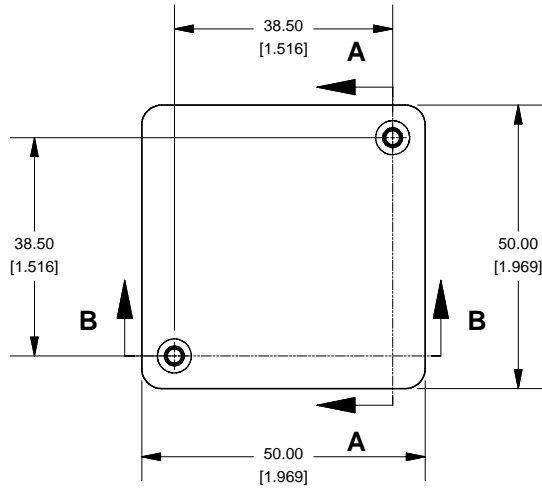
EN: This Datasheet is presented by the manufacturer.

Please visit our website for pricing and availability at www.hestore.hu.

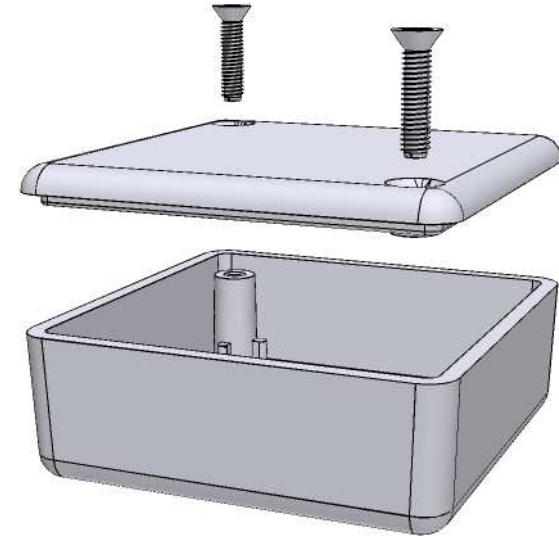
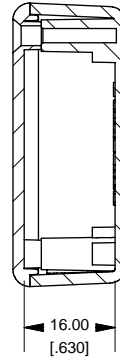
2

1

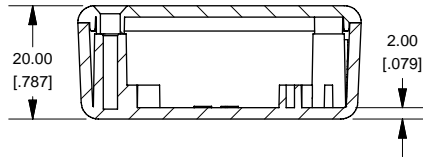
Top View of Assembly



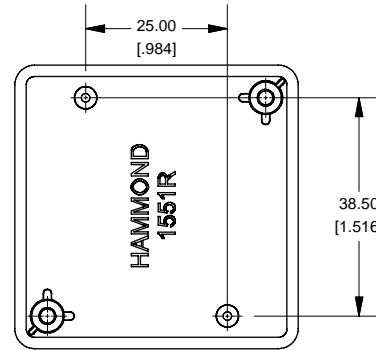
SECTION A-A End View of Assembly



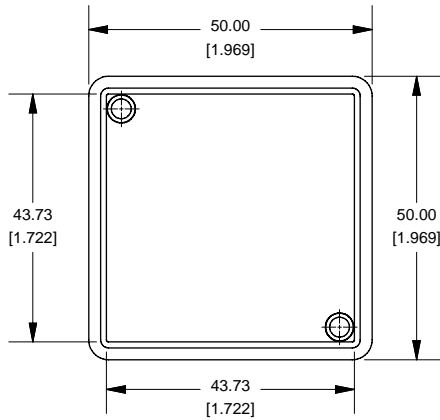
SECTION B-B Side View of Assembly



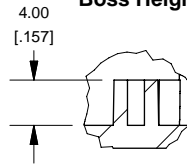
Top View Looking Inside Box



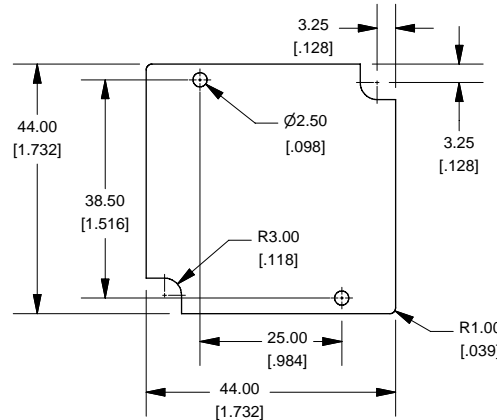
Lid



SECTION C-C Boss Heights



Maximum P.C. Board Size



NOTE

Purchased assembly includes lid and box made from GP ABS material and cover screws.

1551R

1551R Enclosure

| | |
|--|----------|
| Black Enclosure - RAL 9011 - UL94 - HB | 1551RBK |
| Gray Enclosure - RAL 7035 - UL94 - HB | 1551RGY |
| Translucent Blue - UL94 - HB | 1551RTBU |

ACCESSORIES

Recommended Screw Torque: 15-20 ozf.in (10-15 cN.m)

| | | |
|---|----|-------------|
| Black Enclosure Cover Screws (Pkg 100) X 1/2" Self Tapping | #4 | 1591TS100BK |
| Grey Enclosure Cover Screws (Pkg 100) X 1/2" Self Tapping | #4 | 1591TS100 |
| P.C. Board Screws (Pkg 100) [#2 x 3/16" Self Tapping] | | 1551ATS100 |



**HAMMOND
MANUFACTURING™**

1551R

www.hammondmfg.com

2

1