



**HESTORE.HU**

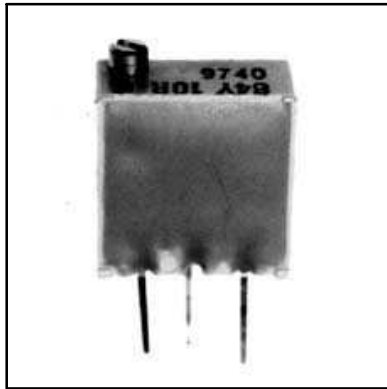
elektronikai alkatrész áruház

**EN:** This Datasheet is presented by the manufacturer.

Please visit our website for pricing and availability at [www.hestore.hu](http://www.hestore.hu).

## Features

- Multifinger precious metal wiper for long term set point stability
- Central pivot locating gear for improved stability
- Unique ratchet device integral with gear to ensure long term reliability
- Double chevron shaft for sealing plus constant torque and reliable adjustability
- IC style pins for easier board insertion

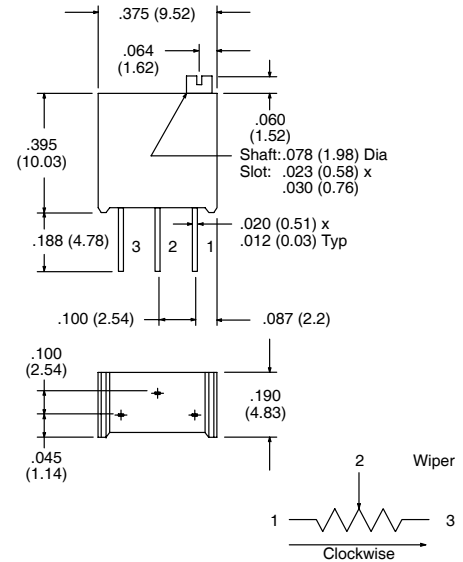


Spectrol No.	NTE Part No.	Value (Ohms)	Adjust	Diag No.
64Y-100	500-0240	10	Top	T8
64Y-200	500-0241	20	Top	T8
64Y-500	500-0242	50	Top	T8
64Y-101	500-0243	100	Top	T8
64Y-201	500-0244	200	Top	T8
64Y-501	500-0245	500	Top	T8
64Y-102	500-0246	1K	Top	T8
64Y-202	500-0247	2K	Top	T8
64Y-502	500-0248	5K	Top	T8
64Y-103	500-0249	10K	Top	T8
64Y-203	500-0250	20K	Top	T8
64Y-253	500-0251	25K	Top	T8
64Y-503	500-0252	50K	Top	T8
64Y-104	500-0253	100K	Top	T8
64Y-204	500-0254	200K	Top	T8
64Y-254	500-0255	250K	Top	T8
64Y-504	500-0256	500K	Top	T8
64Y-105	500-0257	1M	Top	T8
64Y-205	500-0258	2M	Top	T8

# Spectrol 64Y Series

## Trimmer – 3/8” square, multiturn cermet

T8



## Specifications

### Electrical

**Effective Travel:** 25 turns nom

**Resistance Range:** 10Ω to 2 Meg Ω

**Resistance Tolerance:** ±10%

**End Resistance:** Less than 2Ω

**Temperature Coefficient of Resistance:**

100 ppm/°C. 100Ω thru 2 Meg Ω

0 to +250 ppm/°C. below 100Ω

**Power Rating:** 1/2 Watt @ 70°C derated to 0 Watts @ 125°C

**Dielectric Withstanding Voltage:**

1000V AC at sea level

250V AC at 80,000 feet (24,400 meters)

**Insulation Resistance:** 1000 Meg Ω min

**Contact Resistance Variation:** 2% or 20Ω, whichever is greater

### Mechanical

**Stop:** Contact idles at stop

**Operating Torque:** 3mNm nom

**Resistance Element:** Cermet

**2-Terminal Adjustability:** 0.05% of RT

**3-Terminal Adjustability:** 0.01% of applied voltage

### Environmental

**Operating Temperature:** -55°C to +125°C

**Electrical Endurance:** 1000 hour

**Mechanical Life:** 200 cycles