

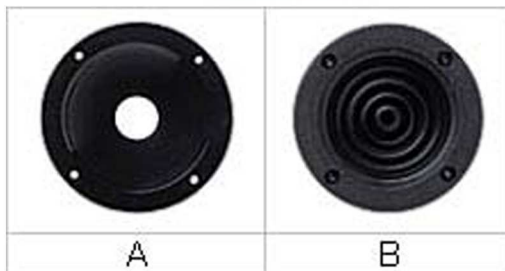
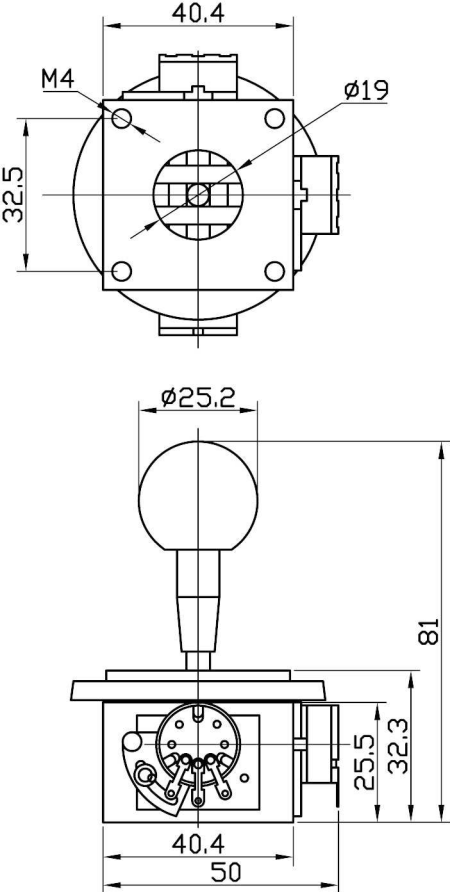


HESTORE.HU

elektronikai alkatrész áruház

EN: This Datasheet is presented by the manufacturer.

Please visit our website for pricing and availability at www.hestore.hu.



Instruction for choosing model:

M1: The potentiometer is 5K Ohm, Maximum from 1.8K Ω ±5% to 3.2K Ω ±5%

M2: The potentiometer is 5K Ohm, Maximum from 0 to 5K Ω ±5%

M3: The potentiometer is 10K Ohm, Maximum from 6.5K Ω ±5% to 3.5K Ω ±5%

M4: The potentiometer is 10K Ohm, Maximum from 0 to 10K Ω ±5%

