

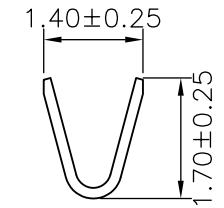
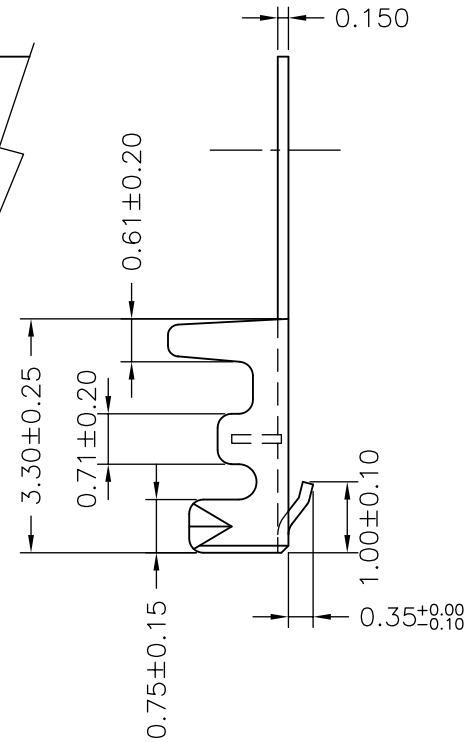
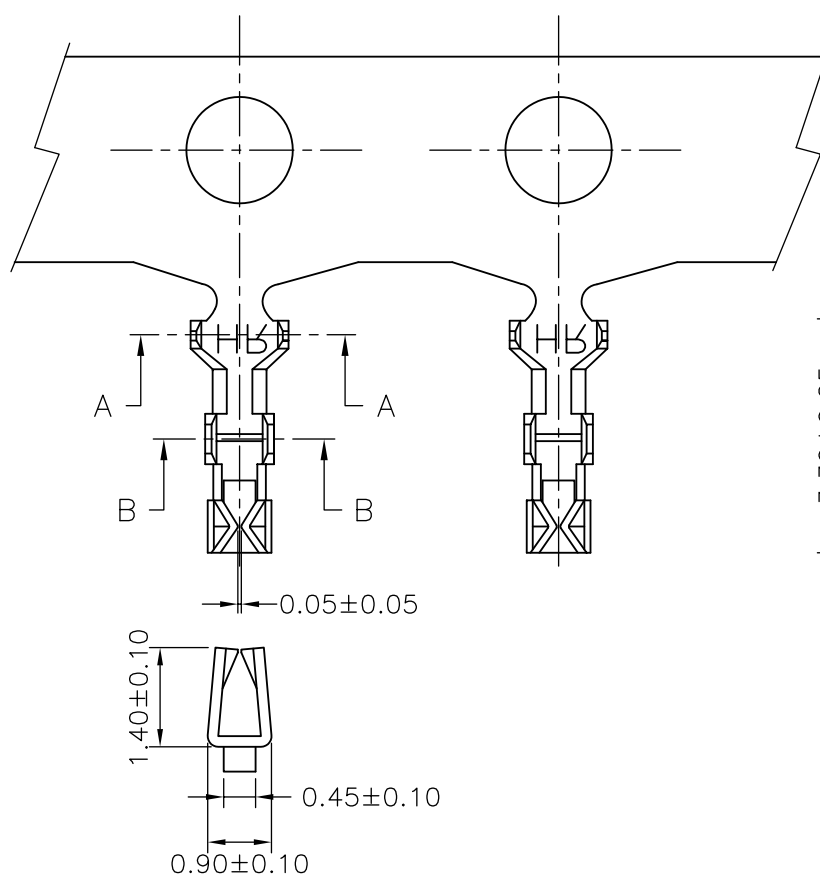


**HESTORE.HU**

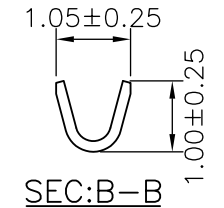
elektronikai alkatrész áruház

**EN:** This Datasheet is presented by the manufacturer.

Please visit our website for pricing and availability at [www.hestore.hu](http://www.hestore.hu).



SEC:A-A



SEC:B-B

Ordering Information & Specifications

Part No	Wire Range	Insulation O.D.	Material	Finish	Qty/reel
A1250-TPE	AWG#28-#32	1.00mm(max)	Phosphor Bronze	Tin-plated	15,000pcs
A1250-GPE	AWG#28-#32	1.00mm(max)	Phosphor Bronze	Gold-flash	15,000pcs

Note:E-Stamping before Tin-plated 100u" MIN. or Gold-flash

		UNIT	SCALE	SHEET	
		mm		1 of 1	
		DRAWN BY		APPROVED BY	
		董正一		董正一	
B3	REVISE	2008.04.04	2001.02.01	2001.02.01	
B2	REVISE	2007.08.24	GENERAL TOLERANCE		
B1	REVISE	2007.01.09	X. X±0.25	ANGLE±	
B0	NEW RELEASE	2006.06.23	X. XX±0.15		
REV.	DESCRIPTION	DATE	X. XXX±0.05		
			<b>TITLE:</b> <b>1.25mm PITCH</b> <b>CRIMP TERMINAL</b>		
DRAW NO. :				REV.	
A1250-XX				B3	