



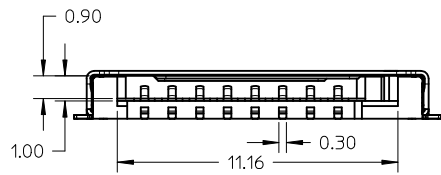
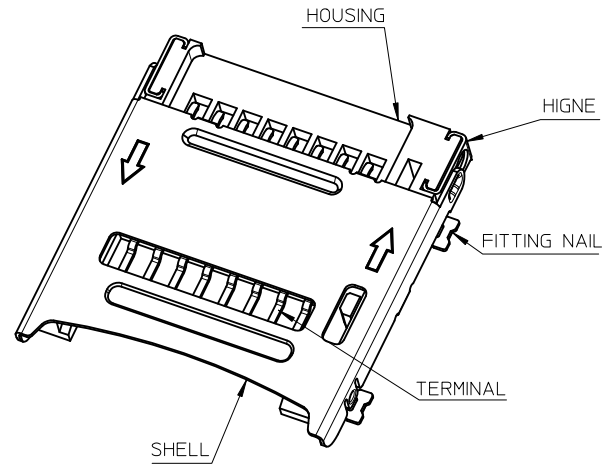
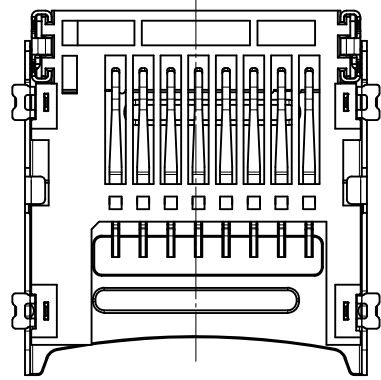
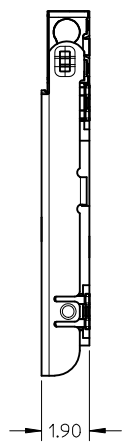
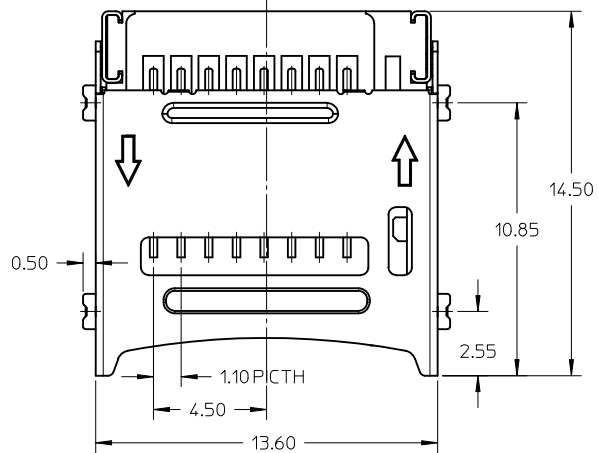
HESTORE.HU

elektronikai alkatrész áruház

EN: This Datasheet is presented by the manufacturer.

Please visit our website for pricing and availability at www.hestore.hu.

10 9 8 7 6 5 4 3 2 1

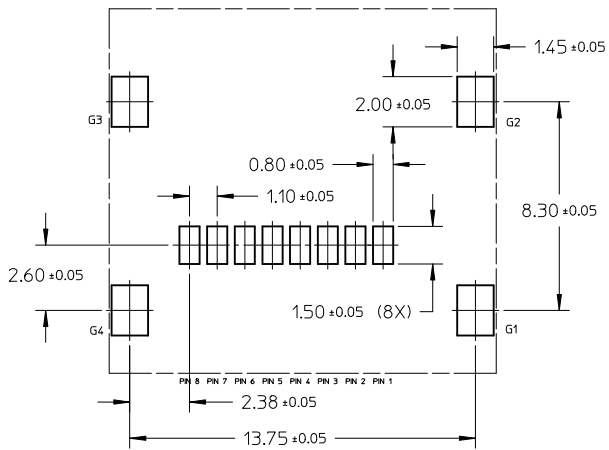


P/N	Gold PLATING ON CONTACT AREA
472190001	2u" min.
472192001	20u" min.

G4	GND
G3	GND
G2	GND
G1	GND
PIN8	DAT1
PIN7	DAT0
PIN6	VSS
PIN5	CLK
PIN4	VDD
PIN3	CMD
PIN2	CD/DAT3
PIN1	DAT2
PIN NUMBER	PIN NAME

NOTES:

- MATERIAL:
 - 1-1 TERMINAL, FITTING NAIL, HIGE : COPPER ALLOY
 - 1-2 SHELL : STAINLESS STEEL
 - 1-3 HOUSING : LCP, UL 94-V0, BLACK
- FINISH:
 - 2-1 TERMINAL : OVERALL NICKEL UNDERPLATED, GOLD PLATING ON CONTACT AREA TIN PLATING ON SOLDER TAIL
 - 2-2 FITTING NAIL : OVERALL NICKEL UNDERPLATED, TIN PLATED ON SOLDER AREA
 - 2-3 HIGE : OVERALL NICKEL PLATING
- MECHANICAL SPECIFICATION:
 - DURABILITY MATED 5,000 TIMES AND STILL MEET ELECTRICAL CHARACTERISTICS
- ELECTRICAL SPECIFICATION:
 - 4-1 RATED CURRENT (PER CONTACT) : 0.5AMPS MAX AND TEMPERATURE RISE SHOULD BE 30°C MAX
 - 4-2 INSULATION RESISTANCE(I.R):100 MEGOHMS MIN.
 - 4-3 DIELECTRIC WITHSTANDING VOLTAGE : N/A
 - 4-4 CONTACT RESISTANCE: 100 MILLIOHMS MAX
- COMPLIANT TO RoHS DIRECTIVE 2002/95/EC AND ELV 2000/53/EC.
- PRODUCT PACKING: PK-47219-001.
- PRODUCT SPECIFICATION: PS-47219-001.



RECOMMENDED PCB LAYOUT

IN CASE OF STENCIL THICKNESS: 0.12MM OPEN RATIO IS 100%.
 IN CASE OF STENCIL THICKNESS : 0.1MM OPEN RATIO IS 100% MINIMUM.
 (0.08MM STENCIL THICKNESS CAN NOT BE RECOMMENDED)

REVISED	EC NO: SH2012-0233	2012/01/18	DESCRIPTION
	DRWING:GLL	2012/01/18	
	CHKD:XQZHANG	2012/01/18	
	APPR:AYIN	2012/01/20	
G	REV		

QUALITY SYMBOLS	$F_A=0$
	$F_C=0$
$F_B=0$	
ANGULAR $\pm 3^\circ$	
DRAFT WHERE APPLICABLE MUST REMAIN WITHIN DIMENSIONS	

GENERAL TOLERANCES (UNLESS SPECIFIED)	
	mm INCH
4 PLACES	\pm --- \pm ---
3 PLACES	\pm --- \pm ---
2 PLACES	± 0.15 \pm ---
1 PLACE	\pm --- \pm ---

DIMENSION STYLE	SCALE	DESIGN UNITS	THIRD ANGLE PROJECTION
MM ONLY	5:1	METRIC	
DRAWN BY	DATE	TITLE	
GLL1	2012/01/18	TFR READER HINGE TYPE	
CHECKED BY	DATE	MOLEX INCORPORATED	
XQZHANG	2012/01/18	SD-47219-001	
APPROVED BY	DATE	SHEET NO.	
		1 OF 1	
MATERIAL NO.		DOCUMENT NO.	
SEE TABLE		THIS DRAWING CONTAINS INFORMATION THAT IS PROPRIETARY TO MOLEX INCORPORATED AND SHOULD NOT BE USED WITHOUT WRITTEN PERMISSION	

9 8 7 6 5 4 3 2 1