



HESTORE.HU

elektronikai alkatrész áruház

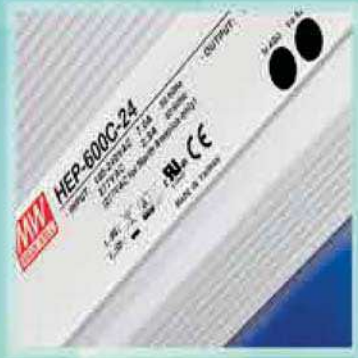
EN: This Datasheet is presented by the manufacturer.

Please visit our website for pricing and availability at www.hestore.hu.



Your Reliable Power Partner

Standard Switching Power Supply Manufacturer



October
2014

LRS-200/350

200/350W Economical Low Profile Type

Page
7

- 90~132VAC/180~264VAC selectable by switch
- No load power consumption<0.75W
- 1U low profile:30mm
- Output models:
3.3V / 4.2V / 5V / 12V /
15V / 24V / 36V / 48V
- 3 years warranty



IRM-5/10/15/20/30

5~30W Miniature On Board Type

Page
50

- 90~264VAC input
- No load power consumption<0.1W
- Withstand 5G vibration
- Output models:
5~20W: 3.3V / 5V / 12V / 15V / 24V
30W: 5V / 12V / 15V / 24V / 48V
- 3 years warranty



RST-5000/10000

5000/10000W High Power

Page
15

- 3 ϕ 3-wire/ Δ 196~305VAC or 3 ϕ 4-wire/Y 340~530VAC
- Vo can be trimmed 20~120% ,
Io can be trimmed 20~100%
- Built-in current sharing up to
20000W
- Output models:
24V/36V/48V
- 5 years warranty



GSM40B/60B/90B/120B

40~120W Green Medical Adaptor

Page
65

- Class II (no F.G) , 80~264VAC input
- No load power consumption<0.1W
- ErP step 2(Level V) , EISA 2007(Level VI)
- Suitable for BF application(2xMOPP)
- Output models:
5V / 7.5V / 9V / 12V / 15V /
18V / 19V / 20V / 24V / 48V
- 3 years warranty



HEP-600/600C

600W Harsh Environment Type

Page
28

- 90~264VAC input
- High efficiency up to 96%
- Fanless design, suitable for
high dust, high moisture,
high vibration, high/low temp.
or outdoor environment
- Output models:
HEP-600 :12V / 15V / 20V / 24V / 30V / 36V / 42V / 48V / 54V
HEP-600C: 14.4V/28.8V/57.6V
- 5 years warranty



OWA-60/90/120

60~120W Moistureproof Adaptor

Page
66

- 90~264VAC input
- IP67 design for main body
- No load power consumption<0.15W
- Output models:
12V / 15V / 20V / 24V / 30V /
36V / 42V / 48V / 54V
- 5 years warranty



EDR-75/120/150 NDR-75/120

75~150W Slim Economical DIN Rail Type

Page
33

- 90~264VAC input
- Model width-
75W: 32mm
120W/150W: 40mm
- Output models:
12V / 24V / 48V
(EDR-150, 24V only)
- EDR: 2 years warranty
NDR: 3 years warranty



DRC-40/60/100

40~100W DIN Rail Style Security Power

Page
69

- 90~264VAC input
- Single output with additional battery
charger output
- Complete protection functions;
AC OK & battery low alarms
- Output models: 13.8V/27.6V
- 3 years warranty



■ Enclosed Switching Power Supply

| | | |
|---------------------------------|---|-------|
| G3 Series | RS-15 / 25 / 35 / 50 / 75 / 100 / 150 | 2~3 |
| | RD-35 / 50 / 65 / 85 / 125 | |
| | RID-50 / 65 / 85 / 125, RT-50 / 65 / 85 / 125 | |
| | RQ-50 / 65 / 85 / 125 | |
| NE Series | NES-15 / 25 / 35 / 50 / 75 / 100 / 150 | 4~5 |
| | NED-35 / 50 / 75 / 100, NET-35 / 50 / 75 | |
| | NES-200, NES-350 | |
| SE Series | SE-100, SE-200, SE-350, SE-450 | 6 |
| | SE-600, SE-1000, SE-1500, | 7 |
| LRS Series | LRS-200, LRS-350 | 7 |
| | NDR-240 | 7 |
| LED Sign Panel | ERP-350, HSN-200, HSN-300, | 8 |
| | NEL-200, NEL-300, NEL-400 | |
| | HSP-150, HSP-200, HSP-250, HSP-300, | 9 |
| PFC Series | HDP-190, HDP-240 | |
| | SP-75, SP-100, SP-150, SP-200, SP-240 | 10 |
| | SP-320, SP-480, PSP-600, SP-750 | 11 |
| | RSP-75, RSP-100, RSP-150, RSP-200 | 12 |
| | RSP-320, RSP-500, RSP-750 | 13 |
| | RSP-1000 / 1500 / 2000 / 2400 / 3000 | 14 |
| | RST-5000, RST-10000, SPV-150 / 300 / 1500 | 15 |
| | TP-75, TP-100, QP-100, TP-150, | 16~17 |
| | QP-150, QP-200, QP-320, QP-375 | |
| | HRP-75, HRP-100, HRP-G-150, HRP-G-200 | 18 |
| | HRP-G-300, HRP-G-450, HRP-G-600 | 19 |
| MSP-100 / 200 / 300 / 450 / 600 | 20 | |
| U-bracket | USP-150, USP-225, USP-350, USP-500 | 21 |
| Modular Series | MP450, MP650, MP1K0 | 22~23 |
| | MS-75 / 150 / 210 / 300 / 360, MD-100 | |
| Harsh Environment | HLG-40H, HLG-60H | 24 |
| | HLG-80H, HLG-100H, HLG-120H | 25 |
| | HLG-150H, HLG-185H, HLG-240H | 26 |
| | HLG-320H, HLG-600H | 27 |
| | HEP-600 | 28 |
| DIN Series | DRA-40, DRA-60 | 28 |
| | MDR-10 / 20 / 40 / 60 / 100 | 29 |
| | DR-15, DR-30, DR-60, DR-100 | 30 |
| | DR-45, DR-75, DR-120, | 31 |
| | DRP-240, DRP-480, DRP-480S | |
| | DRH-120, DRT-240, DRT-480, DRT-960 | 32 |
| | EDR-75/120/150, NDR-75/120 | 33 |
| | SDR-75 / 120 / 240 / 480 [P] / 960 | 34 |
| | WDR-120, WDR-240, WDR-480 | 35 |
| | TDR-960, DR-RDN20, DR-UPS40 | 36 |

■ Open Frame Switching Power Supply

| | | |
|------------------------|---|------------|
| Medical Type | PM-05, PM-10, PM-15, PM-20 | 37 |
| | NFM-05, NFM-10, NFM-15, NFM-20 | 38 |
| | MPS-30, MPS / D / T-45 | IRM-45 39 |
| | RPS / D / T-60, MPS / D / T-65 | 40 |
| | RPS / D / T-75, RPS-G / D / T-160 | 41 |
| | MPS / D / T / Q-200, RPS-300 | 42 |
| Industrial Type | PS-05, PS-15, PS-25, PD-25 | 43 |
| | PS-35, PS-45, PD-45, PT-45 | NDR-480 44 |
| | PT-4503 / 6503, PS / PD / PT-65 | 45 |
| | RPD-65-[C], RPT-65-[C], PD-110, PQ-100 | 46 |
| | PPQ-100, PPS-125, PPT-125 | 47 |
| | ASP-150, PPS-200, PID-250 | 48 |
| | LPS-50 / 75 / 100, LPP-100 / 150 | 49 |
| | IRM-05, IRM-10, IRM-15, IRM-20, IRM-30-[ST] | 50 |
| | EPS-15, EPS-25/35, EPS-45-[C], EPS-65-[C] | 51 |
| | ELP-75-[C], EPP-100, EPP-150, EPP-300 | 52 |

■ External Switching Power Supply

| | | |
|----------------|---------------------------------------|----|
| Charger | PA-120, PB-120 | 53 |
| | ESC/P-120/240, PB-230, PB-300/360 [P] | 54 |

| | | |
|------------------------------|--|----|
| Charger | PB-600/1000, HEP-600C 2/3/8 Stage Charging | 55 |
| | GC30B/U/E, GC120 / 160 / 220 / 330 | 56 |
| Industrial Adaptor | GE12, GE18, GE24 Interchangeable AC Inlet Plug | 57 |
| | GS05E-USB, GS05U-USB | 58 |
| | GS06E/U, GS12E/U, GS15A/B/E/U | |
| | GS18A, GS18B, GS18E, GS18U, GS25A | 59 |
| | GS25B, GS25E, GS25U, GS36E, GS36U | |
| | GS40A, GS60A, GS90A, GS120A | 60 |
| Medical Adaptor | GS160A, GS220A, GS280A | 61 |
| | P25A, P25B, P50A Optional DC Plug List | 62 |
| | MES30A, MES30B, MES30C, MES50A | 63 |
| Moistureproof Adaptor | GSM06E/U, GSM18B/U/E, GSM25B/U/E | 64 |
| | GSM36B/U/E | |
| | GSM40A/B, GSM60A/B, GSM90B, GSM120B | 65 |
| Moistureproof Adaptor | OWA-60E/U, OWA-90E/U | 66 |
| | OWA-120E/U | |

■ Specific Purpose Power Supply

| | | |
|------------------------|--|----|
| Security Series | PSC-35[C], PSC-60[C], PSC-100[C], PSC-160[C] | 67 |
| | ADS-55, AD-55, ADD-55, | 68 |
| | ADS-155, AD-155, ADD-155 | |
| | DRC-40, DRC-60, DRC-100, SCP-35/50/75 | 69 |
| ATX Power | IPC-200/250, IPC-300A/B | 69 |

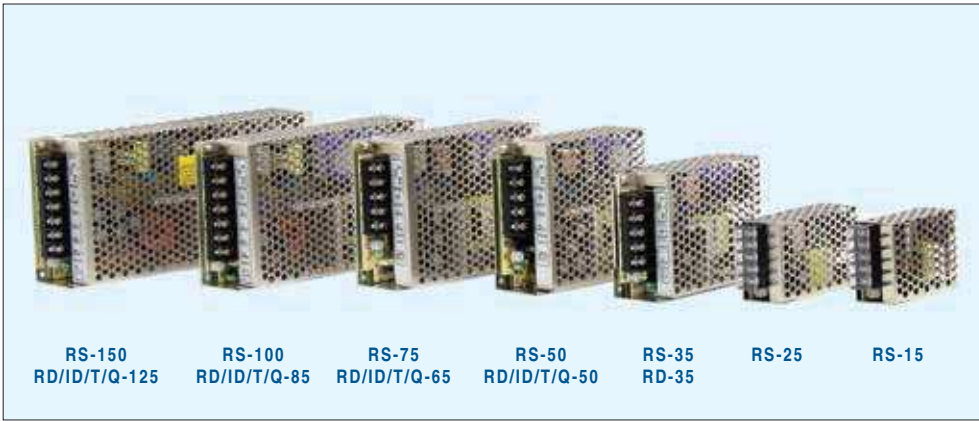
■ DC/DC Converter

| | | |
|-----------------------|---|-----------|
| Module Type | SRS, SUS01 | 70 |
| | SBT01, SFT01, DET01 | 71 |
| | SPR01, SMU01, SMA01 | 72 |
| | SPU02, SPU03, SPA02, SPB03, SPB05 | 73 |
| | SCW03, DCW03, SCW05, DCW05 | 74 |
| | SLW05, DLW05, SCW08, DCW08 | 75 |
| | SKE10, DKE10, SCW12, DCW12 | 76 |
| | SKM15, SKA15, DKA15 | 77 |
| | SKE15, DKE15, SKA20, SKM30 | 78 |
| | SDM30, DKA30, TKA30 | 79 |
| On Board Type | SKM50, SKA40, SKA60 | 80 |
| | MHB75, MHB100 | 81 |
| | MHB150 Heat Sink for MHB Series | 82 |
| | NSD05 | 82 |
| | NSD10-S, NSD10-D, NSD15-S, NSD15-D | 83 |
| PCB Type | NID30, NID60 | 84 |
| | PSD-05, PSD-15 | 84 |
| Enclosed Type | PSD-30, PSD-45 | 85 |
| | SD-15, SD-25 | 85 |
| 19" Rack Power | SD-50, SD-100, SD-150, SD-200 | 86 |
| | SD-350, SD-500, SD-1000 | IRM-60 87 |
| | RSD-100, RSD-150, RSD-200, RSD-300 | 88 |
| | RCP-1000, RCP-1U [C], RCP-MU, RCP-2000, RKP-1U [C], RKP-CMU1, RKP-1U [C]-CMU1 | 89 |

■ Accessories / Case Drawing

| | | |
|---------------------|---|----|
| Case Drawing | Case 901 / 902 / 903 / 905 / 906 / 907 | 90 |
| | Case 910A / 912 / 915A / 916(A/B) / 919A / 920A | 91 |
| | Case 926A / 927A / 928A / 929A / 931A / 932A | 92 |
| | Case 935A / 939A / 940A / 941B / 943A / 946A | 93 |
| | Case 952B / 963A / 971A / 977A / 978A / 980A | 94 |
| | Case 986A / 987A / 995A / 998A / 206A / 207A | 95 |
| Accessories | DRL-01 / 02 / 03A, DRP-01 / 01A / 02 / 03 / 04 | 96 |
| | MHS012 / 013 / 014 / 025 / 026 / 027 | |
| | TBC-05 / 07 / 08 / 09 | |

| | | | |
|--|-----------------------------|--|-----------------------------|
| | : New Announced | | : Under Development |
| | : New Product within 1 Year | | : Supplementary Information |



■ Features

- No load power consumption <0.5W (RS-15~75)
- All using 105°C long life electrolytic capacitors
- Protections: Short circuit / Overload / Over voltage / Over Temp. (RS-15)
- Meet EMS EN50082-2/EN61000-6-2 heavy industry level (35~150W)
- Withstand 300VAC surge input for 5 sec.
- High operating temperature up to 70°C
- Withstand 5G vibration test
- Miniature size, high power density
- High efficiency, long life and high reliability
- LED indicator for power on
- 100% full load burn-in test
- Suitable for critical applications
- 3 years warranty

■ General Specification (Please refer to www.meanwell.com for detail spec.)



| Model No. | RS-15 RD/ID/T/Q-125 | RS-100 RD/ID/T/Q-85 | RS-75 RD/ID/T/Q-65 | RS-50 RD/ID/T/Q-50 | RS-35 RD-35 | RS-25 | RS-15 | |
|--------------------------|---|--|---|--|----------------|---------------|------------------------|--|
| AC input voltage range | 85~264VAC, 120~370VDC | 88~264VAC, 125~373VDC | | | | | 115 / 230VAC by switch | |
| AC inrush current (max.) | Cold start, 65A at 230VAC | 30A at 230VAC | 36A at 230VAC | 33A at 230VAC | 40A at 230VAC | | | |
| DC adjustment range | ±10% by potentiometer for single output; CH1 -5%~+10% by potentiometer for multiple output | | | | | | | |
| Overload protection | >105%, hiccup mode | 110%~180% | 110%~150% hiccup mode, auto-recovery (150% ~190% for RID-125-1205/2405) | | | | | |
| Over voltage protection | 115%~135%, shut off | 115%~135% rated output voltage, hiccup mode, auto-recovery | | | | | | |
| Withstand voltage | I/P - O/P: 3kVAC, I/P - FG: 1.5kVAC, O/P - FG: 0.5kVAC, 1 minute | | | | | | | |
| Working temperature | -20~+70°C | | | -25~+70°C (refer to the derating curve for different models) | | | | |
| Vibration | 10~500Hz, 5G 10min. /1 cycle, period for 60 min. each along X, Y, Z axes | | | | | | | |
| Safety standards | UL60950-1, TUV EN60950-1 approved | | | | | | | |
| EMC standards | EN55022 class B, EN61000-3-2,3, EN61000-4-2,3,4,5,6,8,11, EN61000-6-2 (EN50082-2) (35~150W) | | | | | | | |
| Connection | Terminal block for input and output | | | | | | | |
| Dimension (LxWxH)(mm) | 62.5x 51x 28 | 78x 51x 28 | 99x 82x 36 | 99x 97x 36 | 129x 97x 38 | 159x 97x 38 | 199x 98x 38 | |
| Case No. | 971A | 931A | 932A | 905B | 903 | 901C | 902A | |
| Packing | 108pcs /15.0kg | 60pcs /13.0kg | 45pcs /14.0kg | 45pcs /19.5kg | 30pcs /13.3kg | 24pcs /15.4kg | 20pcs /15kg | |

■ 15W — Single Output

| Model No. | Output | Tol. | R&N | Effi. |
|-----------|---------------|------|-------|-------|
| RS-15-3.3 | 3.3V, 0~3.0A | ±3% | 80mV | 72% |
| RS-15-5 | 5V, 0~3.0A | ±2% | 80mV | 77% |
| RS-15-12 | 12V, 0~1.3A | ±1% | 120mV | 81% |
| RS-15-15 | 15V, 0~1.0A | ±1% | 120mV | 81% |
| RS-15-24 | 24V, 0~0.625A | ±1% | 200mV | 82% |
| RS-15-48 | 48V, 0~0.313A | ±1% | 200mV | 82% |

| | | | | |
|----------|-------------|-----|-------|-------|
| RS-50-15 | 15V, 0~3.4A | ±1% | 120mV | 86.0% |
| RS-50-24 | 24V, 0~2.2A | ±1% | 120mV | 88.0% |
| RS-50-48 | 48V, 0~1.1A | ±1% | 200mV | 89.0% |

■ 75W — Single Output

| Model No. | Output | Tol. | R&N | Effi. |
|-----------|-------------|------|-------|-------|
| RS-75-3.3 | 3.3V, 0~15A | ±3% | 80mV | 75.0% |
| RS-75-5 | 5V, 0~12A | ±2% | 80mV | 79.0% |
| RS-75-12 | 12V, 0~6.0A | ±1% | 120mV | 84.5% |
| RS-75-15 | 15V, 0~5.0A | ±1% | 120mV | 86.0% |
| RS-75-24 | 24V, 0~3.2A | ±1% | 120mV | 88.5% |
| RS-75-48 | 48V, 0~1.6A | ±1% | 200mV | 89.5% |

■ 25W — Single Output

| Model No. | Output | Tol. | R&N | Effi. |
|-----------|--------------|------|-------|-------|
| RS-25-3.3 | 3.3V, 0~6.0A | ±3% | 80mV | 73.5% |
| RS-25-5 | 5V, 0~5.0A | ±2% | 80mV | 78.5% |
| RS-25-12 | 12V, 0~2.1A | ±1% | 120mV | 81.5% |
| RS-25-15 | 15V, 0~1.7A | ±1% | 120mV | 83.5% |
| RS-25-24 | 24V, 0~1.1A | ±1% | 120mV | 86.0% |
| RS-25-48 | 48V, 0~0.57A | ±1% | 200mV | 85.0% |

■ 100W — Single Output

| Model No. | Output | Tol. | R&N | Effi. |
|------------|-------------|------|-------|-------|
| RS-100-3.3 | 3.3V, 0~20A | ±3% | 80mV | 74% |
| RS-100-5 | 5V, 0~16A | ±2% | 80mV | 77% |
| RS-100-12 | 12V, 0~8.5A | ±1% | 120mV | 81% |
| RS-100-15 | 15V, 0~7.0A | ±1% | 120mV | 82% |
| RS-100-24 | 24V, 0~4.5A | ±1% | 120mV | 84% |
| RS-100-48 | 48V, 0~2.3A | ±1% | 200mV | 84% |

■ 35W — Single Output

| Model No. | Output | Tol. | R&N | Effi. |
|-----------|--------------|------|-------|-------|
| RS-35-3.3 | 3.3V, 0~7.0A | ±3% | 80mV | 76.5% |
| RS-35-5 | 5V, 0~7.0A | ±2% | 80mV | 80.5% |
| RS-35-12 | 12V, 0~3.0A | ±1% | 120mV | 84.5% |
| RS-35-15 | 15V, 0~2.4A | ±1% | 120mV | 86.0% |
| RS-35-24 | 24V, 0~1.5A | ±1% | 120mV | 88.0% |
| RS-35-48 | 48V, 0~0.8A | ±1% | 200mV | 88.5% |

■ 150W — Single Output

| Model No. | Output | Tol. | R&N | Effi. |
|------------|--------------|------|-------|-------|
| RS-150-3.3 | 3.3V, 0~30A | ±3% | 80mV | 74% |
| RS-150-5 | 5V, 0~26A | ±2% | 80mV | 78% |
| RS-150-12 | 12V, 0~12.5A | ±1% | 120mV | 83% |
| RS-150-15 | 15V, 0~10A | ±1% | 120mV | 84% |
| RS-150-24 | 24V, 0~6.5A | ±1% | 120mV | 86% |
| RS-150-48 | 48V, 0~3.3A | ±1% | 200mV | 87% |

■ 50W — Single Output

| Model No. | Output | Tol. | R&N | Effi. |
|-----------|-------------|------|-------|-------|
| RS-50-3.3 | 3.3V, 0~10A | ±3% | 80mV | 78.0% |
| RS-50-5 | 5V, 0~10A | ±2% | 80mV | 83.0% |
| RS-50-12 | 12V, 0~4.2A | ±1% | 120mV | 84.5% |

Enclosed-G3 Series



35W — Dual Output

| Model No. | Output | Tol. | R&N | Effi. | Max. |
|-----------|-------------------|------|-------|-------|------|
| RD-35A | 5V, 0.3~4.0A | ±2% | 80mV | 79% | 32W |
| | 12V, 0.2~1.0A | ±6% | 120mV | | |
| RD-35B | 5V, 0.3~4.0A | ±2% | 80mV | 82% | 35W |
| | 24V, 0.2~1.3A | ±5% | 120mV | | |
| RD-3513 | 13.5V, 0.3~2.0A | ±4% | 120mV | 80% | 35W |
| | -13.5V, 0.2~0.57A | ±4% | 120mV | | |

50W — Dual Output (Output isolated for RID-50A/B)

| Model No. | Output | Tol. | R&N | Effi. | Max. |
|-----------|---------------|----------|-------|-------|------|
| RD-50A | 5V, 0.3~6.0A | ±2% | 80mV | 79% | 54W |
| | 12V, 0.3~3.0A | ±7% | 120mV | | |
| RD-50B | 5V, 0.3~6.0A | ±2% | 80mV | 80% | 54W |
| | 24V, 0.2~2.0A | +8%, -4% | 120mV | | |

65W — Dual Output (Output isolated for RID-65A/B)

| Model No. | Output | Tol. | R&N | Effi. | Max. |
|-----------|---------------|----------|-------|-------|------|
| RD-65A | 5V, 0.3~8.0A | ±2% | 80mV | 79% | 66W |
| | 12V, 0.2~4.0A | ±6% | 120mV | | |
| RD-65B | 5V, 0.3~8.0A | ±2% | 80mV | 78% | 68W |
| | 24V, 0.2~3.0A | +4%, -6% | 150mV | | |

85W — Dual Output (Output isolated for RID-85A/B)

| Model No. | Output | Tol. | R&N | Effi. | Max. |
|-----------|---------------|------|-------|-------|------|
| RD-85A | 5V, 2.0~10A | ±2% | 80mV | 78% | 88W |
| | 12V, 0.3~5.0A | ±5% | 120mV | | |
| RD-85B | 5V, 2.0~10A | ±2% | 80mV | 80% | 88W |
| | 24V, 0.3~2.5A | ±5% | 120mV | | |

125W — Dual Output

| Model No. | Output | Tol. | R&N | Effi. | Max. |
|-----------|---------------|------|-------|-------|------|
| RD-125A | 5V, 2.0~15A | ±5% | 80mV | 82% | 131W |
| | 12V, 0.5~10A | ±7% | 120mV | | |
| RD-125B | 5V, 2.0~10A | ±5% | 80mV | 85% | 133W |
| | 24V, 0.4~5.0A | ±7% | 120mV | | |

125W — Dual Output (Output isolated for RID-125)

| Model No. | Output | Tol. | R&N | Effi. | Max. |
|--------------|----------------|----------|-------|-------|------|
| RD-125-1224 | 12V, 1.0~7.0A | ±2% | 120mV | 85% | 133W |
| | 24V, 0.4~5.0A | +8%, -5% | 200mV | | |
| RD-125-2412 | 24V, 0.5~5.0A | ±2% | 200mV | 85% | 133W |
| | 12V, 1.0~7.0A | ±10% | 120mV | | |
| RD-125-1248 | 12V, 1.0~7.0A | ±2% | 120mV | 86% | 138W |
| | 48V, 0.2~2.5A | +8%, -5% | 240mV | | |
| RD-125-4812 | 48V, 0.3~2.5A | ±2% | 240mV | 86% | 138W |
| | 12V, 1.0~7.0A | ±10% | 120mV | | |
| RD-125-2448 | 24V, 0.5~4.0A | ±1% | 200mV | 86% | 144W |
| | 48V, 0.2~2.5A | ±4% | 240mV | | |
| RD-125-4824 | 48V, 0.3~2.5A | ±1% | 240mV | 86% | 144W |
| | 24V, 0.5~4.0A | ±8% | 240mV | | |
| RID-125-1205 | 12V, 2.0~10.5A | ±2% | 120mV | 80% | 125W |
| | 5V, 0.0~3.0A | ±3% | 80mV | | |
| RID-125-2405 | 24V, 2.0~5.3A | ±2% | 120mV | 83% | 125W |
| | 5V, 0.0~3.0A | ±3% | 80mV | | |

50W — Quad Output (RT-50 without -5V or -12V output)

| Model No. | Output | Tol. | R&N | Effi. | Max. | |
|----------------|----------------|----------|-------|-------|------|--|
| RQ-50B | 5V, 0.5~6.0A | ±2% | 80mV | 74% | 46W | |
| | 12V, 0.2~1.5A | ±6% | 120mV | | | |
| | -5V, 0.0~1.0A | ±3% | 100mV | | | |
| RQ-50C | -12V, 0.0~1.0A | ±3% | 80mV | 75% | 50W | |
| | 5V, 0.5~6.0A | ±2% | 80mV | | | |
| | 15V, 0.2~1.5A | ±6% | 120mV | | | |
| RQ-50D | -5V, 0.0~1.0A | ±3% | 100mV | 79% | 53W | |
| | -15V, 0.0~1.0A | ±3% | 80mV | | | |
| | 5V, 0.5~6.0A | ±2% | 80mV | | | |
| | 12V, 0.2~1.5A | ±6% | 120mV | | | |
| | 24V, 0.1~1.0A | +7%, -5% | 180mV | | | |
| -12V, 0.0~1.0A | ±3% | 80mV | | | | |

65W — Quad Output (RT-65 without -5V or -12V output)

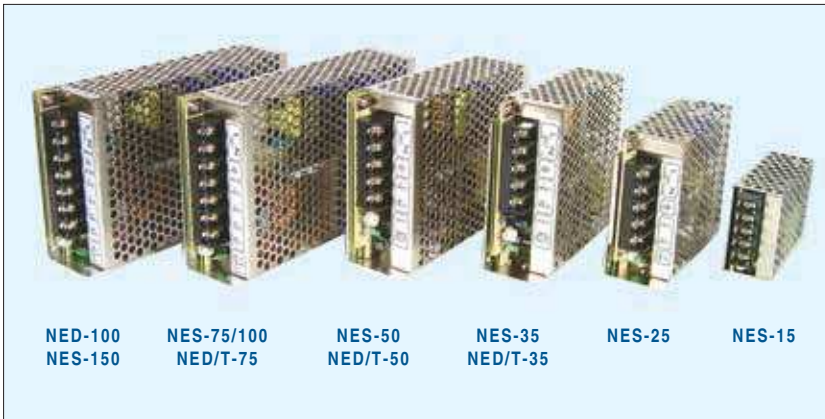
| Model No. | Output | Tol. | R&N | Effi. | Max. | |
|----------------|----------------|-----------|-------|-------|------|--|
| RQ-65B | 5V, 0.5~8.0A | ±2% | 80mV | 76% | 63W | |
| | 12V, 0.2~3.0A | +9%, -5% | 120mV | | | |
| | -5V, 0.0~1.0A | ±5% | 80mV | | | |
| RQ-65C | -12V, 0.0~1.0A | ±5% | 80mV | 76% | 65W | |
| | 5V, 0.5~8.0A | ±2% | 80mV | | | |
| | 15V, 0.2~3.0A | +10%, -4% | 120mV | | | |
| RQ-65D | -5V, 0.0~1.0A | ±5% | 80mV | 78% | 68W | |
| | -15V, 0.0~1.0A | ±5% | 80mV | | | |
| | 5V, 0.5~8.0A | ±2% | 80mV | | | |
| | 12V, 0.2~3.0A | ±6% | 120mV | | | |
| | 24V, 0.1~1.5A | ±8% | 180mV | | | |
| -12V, 0.0~1.0A | ±5% | 80mV | | | | |

85W — Quad Output (RT-85 without -5V or -12V output)

| Model No. | Output | Tol. | R&N | Effi. | Max. | |
|----------------|----------------|----------|-------|-------|------|--|
| RQ-85B | 5V, 2.0~10A | ±2% | 80mV | 76% | 81W | |
| | 12V, 0.3~4.0A | +7%, -3% | 120mV | | | |
| | -5V, 0.0~1.0A | ±8% | 100mV | | | |
| RQ-85C | -12V, 0.0~1.0A | ±5% | 80mV | 77% | 83W | |
| | 5V, 2.0~10A | ±2% | 80mV | | | |
| | 15V, 0.3~4.0A | +3%, -7% | 120mV | | | |
| RQ-85D | -5V, 0.0~1.0A | ±8% | 100mV | 78% | 84W | |
| | -15V, 0.0~1.0A | ±5% | 80mV | | | |
| | 5V, 2.0~10A | ±2% | 80mV | | | |
| | 12V, 0.3~4.0A | +7%, -3% | 120mV | | | |
| | 24V, 0.1~1.5A | ±8% | 150mV | | | |
| -12V, 0.0~1.0A | ±5% | 80mV | | | | |

125W — Quad Output (RT-125 without -5V or -12V output)

| Model No. | Output | Tol. | R&N | Effi. | Max. | |
|----------------|----------------|-----------|-------|-------|------|--|
| RQ-125B | 5V, 2.0~12A | ±2% | 80mV | 79% | 120W | |
| | 12V, 0.5~4.5A | +8%, -3% | 120mV | | | |
| | -5V, 0.1~1.0A | +6%, -10% | 80mV | | | |
| RQ-125C | -12V, 0.0~1.0A | ±5% | 80mV | 80% | 123W | |
| | 5V, 2.0~12A | ±2% | 80mV | | | |
| | 15V, 0.5~4.0A | +8%, -3% | 120mV | | | |
| RQ-125D | -5V, 0.1~1.0A | +6%, -10% | 80mV | 82% | 124W | |
| | -15V, 0.0~1.0A | ±5% | 80mV | | | |
| | 5V, 2.0~12A | ±2% | 80mV | | | |
| | 12V, 0.5~4.0A | +8%, -3% | 120mV | | | |
| | 24V, 0.1~2.5A | ±8% | 150mV | | | |
| -12V, 0.0~1.0A | ±5% | 80mV | | | | |



■ Features

- Universal AC input / Full range (NES/D-100, NES-150 AC input selectable by switch)
- Protections: Short circuit / Overload / Over voltage
- Built-in over temperature protection for NES-15
- Cooling by free air convection
- Small size, high power density
- Low cost, high reliability
- 100% full load burn-in test
- Most economical low wattage solution with safety certificates
- 2 years warranty

■ General Specification (Please refer to www.meanwell.com for detail spec.)



| Model No. | NES-15 | NES-25 | NES-35 NED/T-35 | NES-50 NED/T-50 | NES-75 NED/T-75 | NES-100 | NES-150 NED-100 |
|--------------------------|---|--------------------------------------|--------------------|--------------------|--------------------|--|--------------------|
| AC input voltage range | 85~264VAC; 120~370VDC | | | | | 115/230VAC by switch | |
| AC inrush current (max.) | Cold start, 45A at 230VAC | | | | | | |
| DC adjustment range | ±10% by potentiometer for single output; CH1 -5%~+10% by potentiometer for multiple output | | | | | -5%~+10% (NES-100/150) CH1 -5%~+10% (NED-100) | |
| Overload protection | >105% | 110%~150% hiccup mode, auto-recovery | | | | | |
| Over voltage protection | 115%~135% rated output voltage, shut off | | | | | 115%~135% hiccup mode, auto-recovery | |
| Withstand voltage | I/P - O/P: 3kVAC, I/P - FG: 2kVAC, O/P - FG: 0.5kVAC, 1 minute | | | | | | |
| Working temperature | -20~+60°C (refer to the derating curve for different models) | | | | | | |
| Vibration | 10~500Hz, 2G 10min. /1 cycle, period for 60 min. each along X, Y, Z axes | | | | | | |
| Safety standards | UL60950-1, EN60950-1(NES-150 only), GB4943(NES only) approved, also design refer to TUV EN60950-1 | | | | | | |
| EMC standards | EN55022 class B, EN61000-3-2,3, EN61000-4-2,3,4,5,6,8,11, GB9254(NES only) | | | | | | |
| Connection | Terminal block for input and output | | | | | | |
| Dimension (LxWxH)(mm) | 78x 51x 28 | 99x 82x 35 | 99x 97x 36 | 129x 98x 38 | 159x 97x 38 | 159x 97x 38 | 199x 98x 38 |
| Case No. | 931A | 932B | 905 | 903 | 901 | 901 | 902 |
| Packing | 60pcs/11.8kg | 45pcs/14.5kg | 45pcs/17.2kg | 45pcs/21kg | 30pcs/16.6kg | 30pcs/17.5kg | 20pcs/15kg |

■ 15W — Single Output

| Model No. | Output | Tol. | R&N | Effi. |
|-----------|--------------|------|-------|-------|
| NES-15-5 | 5V, 0~3.0A | ±2% | 150mV | 79% |
| NES-15-12 | 12V, 0~1.3A | ±1% | 150mV | 81% |
| NES-15-15 | 15V, 0~1.0A | ±1% | 150mV | 81% |
| NES-15-24 | 24V, 0~0.7A | ±1% | 200mV | 85% |
| NES-15-48 | 48V, 0~0.35A | ±1% | 240mV | 82% |

■ 75W — Single Output

| Model No. | Output | Tol. | R&N | Effi. |
|-----------|-------------|------|-------|-------|
| NES-75-5 | 5V, 0~14A | ±2% | 80mV | 77% |
| NES-75-12 | 12V, 0~6.2A | ±1% | 120mV | 82% |
| NES-75-15 | 15V, 0~5.0A | ±1% | 150mV | 83% |
| NES-75-24 | 24V, 0~3.2A | ±1% | 200mV | 86% |
| NES-75-48 | 48V, 0~1.6A | ±1% | 240mV | 87% |

■ 25W — Single Output

| Model No. | Output | Tol. | R&N | Effi. |
|-----------|--------------|------|-------|-------|
| NES-25-5 | 5V, 0~5.0A | ±2% | 80mV | 78% |
| NES-25-12 | 12V, 0~2.1A | ±1% | 120mV | 83% |
| NES-25-15 | 15V, 0~1.7A | ±1% | 150mV | 84% |
| NES-25-24 | 24V, 0~1.1A | ±1% | 200mV | 86% |
| NES-25-48 | 48V, 0~0.57A | ±1% | 240mV | 86% |

■ 100W — Single Output

| Model No. | Output | Tol. | R&N | Effi. |
|-------------|---------------|------|-------|-------|
| NES-100-5 | 5V, 0~20A | ±2% | 80mV | 80% |
| NES-100-7.5 | 7.5V, 0~13.6A | ±1% | 120mV | 81% |
| NES-100-9 | 9V, 0~11.2A | ±1% | 120mV | 81% |
| NES-100-12 | 12V, 0~8.5A | ±1% | 120mV | 83% |
| NES-100-15 | 15V, 0~7.0A | ±1% | 120mV | 84% |
| NES-100-24 | 24V, 0~4.5A | ±1% | 120mV | 86% |
| NES-100-48 | 48V, 0~2.3A | ±1% | 150mV | 86% |

■ 35W — Single Output

| Model No. | Output | Tol. | R&N | Effi. |
|-----------|-------------|------|-------|-------|
| NES-35-5 | 5V, 0~7.0A | ±2% | 80mV | 78% |
| NES-35-12 | 12V, 0~3.0A | ±1% | 120mV | 81% |
| NES-35-15 | 15V, 0~2.4A | ±1% | 150mV | 83% |
| NES-35-24 | 24V, 0~1.5A | ±1% | 200mV | 85% |
| NES-35-48 | 48V, 0~0.8A | ±1% | 240mV | 86% |

■ 150W — Single Output

| Model No. | Output | Tol. | R&N | Effi. |
|-------------|--------------|------|-------|-------|
| NES-150-3.3 | 3.3V, 0~30A | ±3% | 80mV | 73% |
| NES-150-5 | 5V, 0~26A | ±2% | 80mV | 78% |
| NES-150-7.5 | 7.5V, 0~20A | ±1% | 120mV | 80% |
| NES-150-9 | 9V, 0~16.7A | ±1% | 120mV | 83% |
| NES-150-12 | 12V, 0~12.5A | ±1% | 120mV | 83% |
| NES-150-15 | 15V, 0~10A | ±1% | 120mV | 83% |
| NES-150-24 | 24V, 0~6.5A | ±1% | 120mV | 86% |
| NES-150-48 | 48V, 0~3.3A | ±1% | 200mV | 86% |

■ 50W — Single Output

| Model No. | Output | Tol. | R&N | Effi. |
|-----------|-------------|------|-------|-------|
| NES-50-5 | 5V, 0~10A | ±2% | 80mV | 79% |
| NES-50-12 | 12V, 0~4.2A | ±1% | 120mV | 82% |
| NES-50-15 | 15V, 0~3.4A | ±1% | 150mV | 83% |
| NES-50-24 | 24V, 0~2.2A | ±1% | 200mV | 86% |
| NES-50-48 | 48V, 0~1.1A | ±1% | 240mV | 87% |

Enclosed-NE Series



35W — Dual Output

| Model No. | Output | Tol. | R&N | Effi. | Max. |
|-----------|---------------|------|-------|-------|------|
| NED-35A | 5V, 0.5~5.0A | ±2% | 80mV | 78% | 32W |
| | 12V, 0.1~1.5A | ±6% | 120mV | | |
| NED-35B | 5V, 0.5~4.0A | ±2% | 80mV | 81% | 35W |
| | 24V, 0.2~1.3A | ±6% | 200mV | | |

50W — Dual Output

| Model No. | Output | Tol. | R&N | Effi. | Max. |
|-----------|---------------|------|-------|-------|------|
| NED-50A | 5V, 1.0~6.0A | ±2% | 80mV | 79% | 54W |
| | 12V, 0.3~3.0A | ±6% | 120mV | | |
| NED-50B | 5V, 1.0~6.0A | ±2% | 80mV | 82% | 54W |
| | 24V, 0.2~2.0A | ±6% | 200mV | | |

75W — Dual Output

| Model No. | Output | Tol. | R&N | Effi. | Max. |
|-----------|---------------|------|-------|-------|------|
| NED-75A | 5V, 1.0~8.0A | ±2% | 80mV | 78% | 71W |
| | 12V, 0.3~4.0A | ±6% | 120mV | | |
| NED-75B | 5V, 1.0~6.0A | ±2% | 80mV | 81% | 73W |
| | 24V, 0.2~3.0A | ±6% | 200mV | | |

100W — Dual Output (Output isolated for NED-100□□GD)

| Model No. | Output | Tol. | R&N | Effi. | Max. |
|-----------|---------------|------|-------|-------|------|
| NED-100A | 5V, 2~10A | ±2% | 80mV | 80% | 100W |
| | 12V, 0.7~7.0A | ±10% | 120mV | | |
| NED-100B | 5V, 1~10A | ±2% | 80mV | 82% | 100W |
| | 24V, 0.3~3.5A | ±8% | 200mV | | |
| NED-100C | 12V, 0~8.0A | ±2% | 120mV | 80% | 99W |
| | 5V, 0~3.0A | ±3% | 80mV | | |
| NED-100D | 24V, 0~4.0A | ±2% | 120mV | 82% | 99W |
| | 5V, 0~3.0A | ±3% | 80mV | | |

35W — Triple Output

| Model No. | Output | Tol. | R&N | Effi. | Max. |
|-----------|----------------|------|-------|-------|------|
| NET-35A | 5V, 0.5~4.0A | ±2% | 80mV | 78% | 30W |
| | 12V, 0.1~1.5A | ±6% | 120mV | | |
| | -5V, 0.1~0.5A | ±6% | 120mV | | |
| NET-35B | 5V, 0.5~4.0A | ±2% | 80mV | 79% | 33W |
| | 12V, 0.1~1.5A | ±6% | 120mV | | |
| | -12V, 0.1~0.5A | ±6% | 120mV | | |
| NET-35C | 5V, 0.5~3.5A | ±2% | 80mV | 79% | 35W |
| | 15V, 0.1~1.5A | ±8% | 150mV | | |
| | -15V, 0.1~0.5A | ±8% | 150mV | | |
| NET-35D | 5V, 0.5~3.5A | ±2% | 80mV | 79% | 37W |
| | 24V, 0.1~1.0A | ±8% | 200mV | | |
| | 12V, 0.1~1.0A | ±8% | 120mV | | |

50W — Triple Output

| Model No. | Output | Tol. | R&N | Effi. | Max. |
|-----------|----------------|------|-------|-------|------|
| NET-50A | 5V, 0.6~5.0A | ±2% | 80mV | 76% | 47W |
| | 12V, 0.2~2.5A | ±6% | 120mV | | |
| | -5V, 0.1~0.7A | ±5% | 120mV | | |
| NET-50B | 5V, 0.6~5.0A | ±2% | 80mV | 78% | 50W |
| | 12V, 0.2~2.5A | ±6% | 120mV | | |
| | -12V, 0.1~0.7A | ±5% | 120mV | | |
| NET-50C | 5V, 0.6~5.0A | ±2% | 80mV | 78% | 50W |
| | 15V, 0.1~2.0A | ±8% | 150mV | | |
| | -15V, 0.1~0.7A | ±5% | 150mV | | |
| NET-50D | 5V, 0.6~5.0A | ±2% | 80mV | 80% | 51W |
| | 24V, 0.1~1.5A | ±8% | 200mV | | |
| | 12V, 0.1~1.5A | ±6% | 120mV | | |

75W — Triple Output

| Model No. | Output | Tol. | R&N | Effi. | Max. |
|-----------|----------------|------|-------|-------|------|
| NET-75A | 5V, 0.6~7.0A | ±2% | 80mV | 77% | 69W |
| | 12V, 0.2~3.5A | ±6% | 120mV | | |
| | -5V, 0.1~0.7A | ±5% | 120mV | | |
| NET-75B | 5V, 0.6~7.0A | ±2% | 80mV | 78% | 65W |
| | 12V, 0.2~3.5A | ±6% | 120mV | | |
| | -12V, 0.1~0.7A | ±5% | 120mV | | |
| NET-75C | 5V, 0.6~7.0A | ±2% | 80mV | 78% | 72W |
| | 15V, 0.1~3.5A | ±8% | 150mV | | |
| | -15V, 0.1~0.7A | ±5% | 150mV | | |
| NET-75D | 5V, 0.6~6.0A | ±2% | 80mV | 80% | 73W |
| | 24V, 0.1~2.0A | ±8% | 200mV | | |
| | 12V, 0.1~1.5A | ±6% | 120mV | | |

210W Single Output Switching Power Supply



CASE: 912E 215x 115x 50 mm

- AC input selectable by switch
- Withstand 300VAC surge input for 5 seconds
- Protections: Short circuit / Overload Over voltage / Over temp.
- Cooling by free air convection
- Built-in constant current limiting circuit
- 100% full load burn-in test
- LED indicator for power on
- Low cost, high reliability
- 2 years warranty

AC input voltage range 90~132VAC / 180~264VAC selectable by switch
 DC adjustment range ±10% rated output range
 Overload protection 105%~150% constant current limiting, auto-recovery
 Over voltage protection 115%~145% rated output voltage
 Setup, rise, hold up time 1000ms, 50ms, 20ms at full load and 230VAC
 Withstand voltage I/P - O/P: 3kVAC, I/P-FG: 1.5kVAC, O/P-FG: 0.5kVAC
 Working temperature -20~+50°C (refer to output derating curve)
 Safety standards UL60950-1 approved
 Packing 0.93kg ; 12pcs / 12kg / 0.92CUFT

| Model No. | Output | Tol. | R&N | Effi. |
|-------------|-------------|------|-------|-------|
| NES-200-3.3 | 3.3V, 0~40A | ±2% | 150mV | 75% |
| NES-200-5 | 5V, 0~40A | ±2% | 150mV | 79% |
| NES-200-7.5 | 7.5V, 0~27A | ±2% | 150mV | 82% |
| NES-200-12 | 12V, 0~17A | ±1% | 150mV | 85% |
| NES-200-15 | 15V, 0~14A | ±1% | 150mV | 85% |
| NES-200-24 | 24V, 0~8.8A | ±1% | 150mV | 87% |
| NES-200-27 | 27V, 0~7.8A | ±1% | 200mV | 88% |
| NES-200-36 | 36V, 0~5.9A | ±1% | 240mV | 89% |
| NES-200-48 | 48V, 0~4.4A | ±1% | 240mV | 89% |

350W Single Output Switching Power Supply



CASE: 912C 215x 115x 50 mm

- AC input selectable by switch
- Withstand 300VAC surge input for 5 seconds
- Protections: Short circuit / Overload Over voltage / Over temp.
- Forced air cooling by built-in DC fan
- Built-in fan ON/OFF control
- Built-in constant current limiting circuit
- 100% full load burn-in test
- LED indicator for power on
- Low cost, high reliability
- 2 years warranty

AC input voltage range 90~132VAC / 180~264VAC selectable by switch
 DC adjustment range ±10% rated output range
 Overload protection 105%~135% constant current limiting, auto-recovery
 Over voltage protection 115%~145% rated output voltage
 Setup, rise, hold up time 1000ms, 50ms, 20ms at full load and 230VAC
 Withstand voltage I/P - O/P: 3kVAC, I/P-FG: 2kVAC, O/P-FG: 0.5kVAC
 Working temperature -20~+60°C (refer to output derating curve)
 Safety standards UL60950-1 approved
 Packing 1.07kg ; 12pcs / 13.5kg / 0.92CUFT

| Model No. | Output | Tol. | R&N | Effi. |
|-------------|--------------|------------|-------|-------|
| NES-350-3.3 | 3.3V, 0~60A | +3%, -4.5% | 150mV | 74.0% |
| NES-350-5 | 5V, 0~60A | ±3.0% | 150mV | 78.0% |
| NES-350-7.5 | 7.5V, 0~46A | ±2.0% | 150mV | 80.0% |
| NES-350-12 | 12V, 0~29A | ±1.5% | 150mV | 83.0% |
| NES-350-15 | 15V, 0~23.2A | ±1.0% | 150mV | 84.0% |
| NES-350-24 | 24V, 0~14.6A | ±1.0% | 150mV | 87.0% |
| NES-350-27 | 27V, 0~13A | ±1.0% | 200mV | 88.0% |
| NES-350-36 | 36V, 0~9.7A | ±1.0% | 240mV | 87.5% |
| NES-350-48 | 48V, 0~7.3A | ±1.0% | 240mV | 87.5% |

Enclosed-SE Series 100~450W Single Output



■ Features

- AC input selectable by switch
- Withstand 300VAC surge input for 5 seconds (SE-200/350)
- Protections: Short circuit / Overload / Over voltage / Over temperature (except for SE-100)
- Forced air cooling by built-in DC fan (SE-350/450)
- Built-in fan ON/OFF control (SE-350)
- Built-in constant current limiting circuit (SE-200/350)
- Withstand 5G vibration test (SE-200/350)
- Built-in remote sense function (SE-450)
- 100% full load burn-in test
- LED indicator for power on
- 2 years warranty

■ General Specification (Please refer to www.meanwell.com for detail spec.)

| Model No. | SE-100 | SE-200 | SE-350 | SE-450 |
|--------------------------|--|--|--|--|
| AC input voltage range | 115/230VAC by switch | | | |
| AC inrush current (max.) | Cold start, 36A at 230VAC | Cold start, 55A at 230VAC | Cold start, 60A at 230VAC | Cold start, 55A at 230VAC |
| DC adjustment range | -5%~+10% rated output voltage | | | |
| Overload protection | Range | 110%~150% | 105%~150% | 105%~135% |
| | Type | Hiccup mode, auto-recovery | Constant current limiting, auto-recovery | |
| Over voltage protection | 115%~135% | 115%~145% | | |
| Withstand voltage | I/P - O/P: 3kVAC, I/P - FG: 1.5kVAC, O/P-FG: 0.5kVAC | | | |
| Working temperature | -20~+60°C | -20~+50°C | -20~+60°C | -10~+60°C (refer to output derating curve) |
| Safety standards | UL60950-1, GB4943(SE-100 only) approved | | | |
| EMC standards | EN55022 class B, EN61000-3-2,3, EN61000-4-2,3,4,5,6,8,11, GB9254 for SE-100 only | | | |
| Connection | 7P/9.5mm pitch terminal block | 9P/9.5mm pitch terminal block with cover | | 9P/11mm pitch terminal block with cover |
| Dimension (LxWxH)(mm) | 159x 97x 38 | 215x 115x 50 | | 225x 124x 50 |
| Case No. | 901 | 912E | 912C | 986A |
| Packing | 30pcs / 17.5kg | 12pcs / 12kg | 12pcs / 13.5kg | 12pcs / 16kg |

■ SE-100 Series



| Model No. | Output | Tol. | R&N | Effi. |
|------------|---------------|------|-------|-------|
| SE-100-5 | 5V, 0~20A | ±2% | 80mV | 80% |
| SE-100-7.5 | 7.5V, 0~13.6A | ±1% | 120mV | 81% |
| SE-100-9 | 9V, 0~11.2A | ±1% | 120mV | 81% |
| SE-100-12 | 12V, 0~8.5A | ±1% | 120mV | 83% |
| SE-100-15 | 15V, 0~7.0A | ±1% | 120mV | 84% |
| SE-100-24 | 24V, 0~4.5A | ±1% | 120mV | 86% |
| SE-100-48 | 48V, 0~2.3A | ±1% | 150mV | 86% |

■ SE-350 Series



| Model No. | Output | Tol. | R&N | Effi. |
|------------|--------------|------------|-------|-------|
| SE-350-3.3 | 3.3V, 0~60A | +3%, -4.5% | 150mV | 74.0% |
| SE-350-5 | 5V, 0~60A | ±3.0% | 150mV | 78.0% |
| SE-350-7.5 | 7.5V, 0~46A | ±2.0% | 150mV | 80.0% |
| SE-350-12 | 12V, 0~29A | ±1.5% | 150mV | 83.0% |
| SE-350-15 | 15V, 0~23.2A | ±1.0% | 150mV | 84.0% |
| SE-350-24 | 24V, 0~14.6A | ±1.0% | 150mV | 87.0% |
| SE-350-27 | 27V, 0~13A | ±1.0% | 200mV | 88.0% |
| SE-350-36 | 36V, 0~9.7A | ±1.0% | 240mV | 87.5% |
| SE-350-48 | 48V, 0~7.3A | ±1.0% | 240mV | 87.5% |

■ SE-200 Series



| Model No. | Output | Tol. | R&N | Effi. |
|------------|-------------|------|-------|-------|
| SE-200-3.3 | 3.3V, 0~40A | ±2% | 150mV | 75% |
| SE-200-5 | 5V, 0~40A | ±2% | 150mV | 79% |
| SE-200-7.5 | 7.5V, 0~27A | ±2% | 150mV | 82% |
| SE-200-12 | 12V, 0~17A | ±1% | 150mV | 85% |
| SE-200-15 | 15V, 0~14A | ±1% | 150mV | 85% |
| SE-200-24 | 24V, 0~8.8A | ±1% | 150mV | 87% |
| SE-200-27 | 27V, 0~7.8A | ±1% | 200mV | 88% |
| SE-200-36 | 36V, 0~5.9A | ±1% | 240mV | 89% |
| SE-200-48 | 48V, 0~4.4A | ±1% | 240mV | 89% |

■ SE-450 Series



| Model No. | Output | Tol. | R&N | Effi. |
|------------|--------------|-------|-------|-------|
| SE-450-3.3 | 3.3V, 0~75A | ±3% | 200mV | 74% |
| SE-450-5 | 5V, 0~75A | ±3% | 200mV | 78% |
| SE-450-12 | 12V, 0~37.5A | ±1% | 200mV | 83% |
| SE-450-15 | 15V, 0~30A | ±1% | 200mV | 84% |
| SE-450-24 | 24V, 0~18.8A | ±1.5% | 200mV | 86% |
| SE-450-36 | 36V, 0~12.5A | ±1% | 200mV | 86% |
| SE-450-48 | 48V, 0~9.4A | ±1% | 200mV | 88% |

Enclosed-SE/LRS Series 200~1500W Single Output



600W~1500W Single Output

- AC input selectable by switch (SE-600/1000)
AC input 180~264VAC only (SE-1500)
- Protections:
Short circuit / Overload / Over voltage / Over temp.
- Forced air cooling by built-in DC fan
- Built-in remote sense function
- DC OK, remote ON/OFF control (SE-1000/1500)
- 100% full load burn-in test
- LED indicator for power on
- 2 years warranty



SE-1500

278x 177.8x 63.5 mm

SE-1000

278x 127x 63.5 mm

SE-600

247x 127x 63.5 mm

AC input voltage range 90~132VAC / 180~264VAC selected by switch(600W/1000W); 180~264VAC(1500W)
AC inrush current Cold start, 60A at 230VAC(600W/1500W)
Cold start, 55A at 230VAC(1000W)
DC adjustment range $\pm 10\%$ rated output voltage
Overload protection 105%~125% Shut down o/p voltage, re-power on to recover
Over voltage protection..... 115%~140% rated output voltage
Withstand voltage I/P-O/P: 3kVAC, I/P-FG: 1.5kVAC, 1 minute
Working temperature -20~+60°C(600W/1000W); -20~+70°C(1500W)
Safety standards UL60950-1 approved
EMC standards Design refer to EN55022 class B
Connection Terminal block with cover for input and output (SE-1000/1500: copper pillars for output)

SE-600 Series

| Model No. | Output | Tol. | R&N | Effi. |
|-----------|--------------|-----------|-------|-------|
| SE-600-5 | 5V, 0~100A | $\pm 2\%$ | 150mV | 78% |
| SE-600-12 | 12V, 0~50A | $\pm 1\%$ | 150mV | 83% |
| SE-600-15 | 15V, 0~40A | $\pm 1\%$ | 150mV | 84% |
| SE-600-24 | 24V, 0~25A | $\pm 1\%$ | 150mV | 87% |
| SE-600-27 | 27V, 0~22.2A | $\pm 1\%$ | 150mV | 87% |
| SE-600-36 | 36V, 0~16.6A | $\pm 1\%$ | 200mV | 87% |
| SE-600-48 | 48V, 0~12.5A | $\pm 1\%$ | 200mV | 88% |

SE-1000 Series

| Model No. | Output | Tol. | R&N | Effi. |
|------------|--------------|-----------|-------|-------|
| SE-1000-5 | 5V, 0~150A | $\pm 1\%$ | 150mV | 81% |
| SE-1000-9 | 9V, 0~100A | $\pm 1\%$ | 150mV | 84% |
| SE-1000-12 | 12V, 0~83.3A | $\pm 1\%$ | 150mV | 85% |
| SE-1000-15 | 15V, 0~66.7A | $\pm 1\%$ | 150mV | 86% |
| SE-1000-24 | 24V, 0~41.7A | $\pm 1\%$ | 200mV | 88% |
| SE-1000-48 | 48V, 0~20.8A | $\pm 1\%$ | 200mV | 89% |

SE-1500 Series

| Model No. | Output | Tol. | R&N | Effi. |
|------------|--------------|-----------|-------|-------|
| SE-1500-5 | 5V, 0~300A | $\pm 2\%$ | 150mV | 81% |
| SE-1500-12 | 12V, 0~125A | $\pm 1\%$ | 150mV | 85% |
| SE-1500-15 | 15V, 0~100A | $\pm 1\%$ | 150mV | 85% |
| SE-1500-24 | 24V, 0~62.5A | $\pm 1\%$ | 150mV | 87% |
| SE-1500-27 | 27V, 0~55.6A | $\pm 1\%$ | 150mV | 88% |
| SE-1500-48 | 48V, 0~31.3A | $\pm 1\%$ | 150mV | 89% |

200W~350W Single Output

- AC input selectable by switch
- Withstand 300VAC surge input for 5 seconds
- 1U low profile: 30mm
- Protections:
Short circuit / Overload / Over voltage / Over temp.
- Fanless design(LRS-200); Forced air cooling by built-in DC fan(LRS-350)
- LED indicator for power on
- No load power consumption<0.75W
- Low cost, high reliability
- 3 years warranty



LRS-350

215x 115x 30 mm

LRS-200

215x 115x 30 mm

AC input voltage range 90~132VAC / 180~264VAC selected by switch
AC inrush current Cold start, 60A at 230VAC
DC adjustment range $\pm 10\%$ rated output voltage
Overload protection 110%~140% hiccup mode, auto-recovery
Over voltage protection..... 110%~145% rated output voltage
Withstand voltage I/P-O/P: 3kVAC, I/P-FG: 2kVAC, O/P-FG: 0.5kVAC
Working temperature -30~+70°C
Safety standards UL60950-1 approved
Connection 9P / 9.5mm pitch terminal / block

LRS-200 Series

| Model No. | Output | Tol. | R&N | Effi. |
|-------------|-------------|-------------|-------|-------|
| LRS-200-3.3 | 3.3V, 0~40A | $\pm 3\%$ | 150mV | 83.0% |
| LRS-200-4.2 | 4.2V, 0~40A | $\pm 3\%$ | 150mV | 84.5% |
| LRS-200-5 | 5V, 0~40A | $\pm 3\%$ | 150mV | 86.0% |
| LRS-200-12 | 12V, 0~17A | $\pm 1.5\%$ | 150mV | 87.5% |
| LRS-200-15 | 15V, 0~14A | $\pm 1\%$ | 150mV | 88.0% |
| LRS-200-24 | 24V, 0~8.8A | $\pm 1\%$ | 150mV | 89.0% |
| LRS-200-36 | 36V, 0~5.9A | $\pm 1\%$ | 200mV | 89.5% |
| LRS-200-48 | 48V, 0~4.4A | $\pm 1\%$ | 200mV | 90.0% |

LRS-350 Series

| Model No. | Output | Tol. | R&N | Effi. |
|-------------|--------------|-------------|-------|-------|
| LRS-350-3.3 | 3.3V, 0~60A | $\pm 4\%$ | 150mV | 79.0% |
| LRS-350-4.2 | 4.2V, 0~60A | $\pm 4\%$ | 150mV | 81.0% |
| LRS-350-5 | 5V, 0~60A | $\pm 3\%$ | 150mV | 83.0% |
| LRS-350-12 | 12V, 0~29A | $\pm 1.5\%$ | 150mV | 84.0% |
| LRS-350-15 | 15V, 0~23.2A | $\pm 1\%$ | 150mV | 85.0% |
| LRS-350-24 | 24V, 0~14.6A | $\pm 1\%$ | 150mV | 87.0% |
| LRS-350-36 | 36V, 0~9.7A | $\pm 1\%$ | 200mV | 87.5% |
| LRS-350-48 | 48V, 0~7.3A | $\pm 1\%$ | 200mV | 87.5% |

NDR-240 Series

240W Economical and Slim
DIN Rail Power

Under Development

- Universal AC input / Full range
- Built-in active PFC function
- High efficiency up to 88%
- Protections:
Short circuit / Overload / Over voltage / Over temperature
- Can be installed on DIN rail TS35 / 7.5 or 15
- Cooling by free air convection
- 20~+70°C wide operating range
- Design refer to UL508, TUV EN60950-1
- Output models: 24V / 48V
- Dimension (WxHxD): 63x125.2x113.5mm
- 3 years warranty

350W Single Output



- AC input 180~264VAC only
- Withstand 300VAC surge input for 5 sec
- **Semi-potted and design against rain splash**
- High efficiency up to 90%
- Protections: Short circuit / Overload / Over voltage / Over temperature
- Cooling by free air convection
- LED indicator for power on
- **Suitable for channel letter applications**
- 3 years warranty

220.4x 130x 48 mm

AC input voltage range 180~264VAC; 254~370VDC
 AC inrush current Cold start, 90A at 230VAC
 DC adjustment range $\pm 10\%$ rated output voltage
 Overload protection 110%~140% hiccup mode, auto-recovery
 Over voltage protection 12V: 13.8~16.2V; 24V: 27.6~32.4V; 36V: 41.4~46.8V; 48V: 57.6~67.2V hiccup mode, auto-recovery
 Setup, rise, hold up time 1500ms, 50ms, 20ms at full load and 230VAC
 Withstand voltage I/P-O/P: 3kVAC, I/P-FG: 2kVAC, O/P-FG: 0.5kVAC
 Working temperature -30~+60°C (refer to output derating curve)
 Safety standards UL60950-1, CQC GB4943.1 approved

| Model No. | Output | Tol. | R&N | Effi. |
|-----------------------|--------------|-----------|-------|-------|
| NEW ERP-350-12 | 12V, 0~26.7A | $\pm 1\%$ | 150mV | 87% |
| ERP-350-24 | 24V, 0~14.6A | $\pm 1\%$ | 150mV | 89% |
| ERP-350-36 | 36V, 0~9.7A | $\pm 1\%$ | 240mV | 90% |
| ERP-350-48 | 48V, 0~7.3A | $\pm 1\%$ | 240mV | 90% |

200W & 300W Single Output

- 115VAC or 230VAC AC input
- Cooling by conduction
- 1U low profile: 31mm
- **Conformal coating**
- Protections: Short circuit / Overload / Over voltage / Over temperature
- LED indicator for power on
- 2 years warranty



HSN-200
210x 62x 31 mm

HSN-300
210x 81x 31 mm

AC input voltage range 90~132VAC(A-Type); 180~264VAC(B-Type)
 AC inrush current Cold start, 80A(HSN-200); 90A(HSN-300) at 230VAC
 DC adjustment range 4.2V: 3.6~4.4V; 5V: 4.5~5.5V
 Overload protection 105%~140% hiccup mode, auto-recovery
 Over voltage protection 4.2V: 4.6~5.4V, 5V: 5.7~7.0V for HSN-200; 4.2V: 4.7~5.7V, 5V: 5.7~7.0V for HSN-300
 Setup, rise, hold up time 1500ms, 100ms, 20ms at 230VAC and full load (HSN-200) 2500ms, 100ms, 10ms at 230VAC and full load (HSN-300)
 Withstand voltage I/P-O/P: 3kVAC, I/P-FG: 2kVAC, O/P-FG: 0.5kVAC
 Working temperature -25~+75°C (HSN-200); -20~+70°C (HSN-300)
 Safety standards UL60950-1 approved

✦ HSN-200 Series

| Model No. | Output | Tol. | R&N | Effi. |
|--------------|-------------|-----------|-------|-------|
| HSN-200-4.2A | 4.2V, 0~30A | $\pm 2\%$ | 150mV | 86.5% |
| HSN-200-4.2B | 4.2V, 0~40A | $\pm 2\%$ | 150mV | 88% |
| HSN-200-5A | 5V, 0~30A | $\pm 2\%$ | 150mV | 86.5% |
| HSN-200-5B | 5V, 0~40A | $\pm 2\%$ | 150mV | 88% |

✦ HSN-300 Series

| Model No. | Output | Tol. | R&N | Effi. |
|--------------|-------------|-----------|-------|-------|
| HSN-300-4.2A | 4.2V, 0~50A | $\pm 3\%$ | 150mV | 85% |
| HSN-300-4.2B | 4.2V, 0~60A | $\pm 3\%$ | 150mV | 85% |
| HSN-300-5A | 5V, 0~50A | $\pm 3\%$ | 150mV | 86% |
| HSN-300-5B | 5V, 0~60A | $\pm 3\%$ | 150mV | 86% |

200W Single Output



- AC input 180~264VAC only
- Withstand 300VAC surge input for 5 sec
- **Conformal coating**
- High efficiency up to 87% (NEL-200)
- Protections: Short circuit / Overload / Over voltage / Over temperature
- Cooling by free air convection
- 1U low profile: 30mm
- LED indicator for power on
- **Suitable for moving sign applications**
- 2 years warranty

215x 115x 30 mm

AC input voltage range 180~264VAC; 254~370VDC
 AC inrush current Cold start, 70A at 230VAC
 DC adjustment range 2.8V: 2.5~3V; 4.2V: 3.6~4.4V; 5V: 4.5~5.5V
 Overload protection 105%~140% hiccup mode, auto-recovery
 Over voltage protection 2.8V: 3.22~3.78V; 4.2V: 4.6~5.4V; 5V: 5.6~7V hiccup mode, auto-recovery
 Setup, rise, hold up time 2500ms, 50ms, 20ms at full load and 230VAC
 Withstand voltage I/P-O/P: 3kVAC, I/P-FG: 2kVAC, O/P-FG: 0.5kVAC
 Working temperature -20~+60°C (refer to output derating curve)
 Safety standards UL60950-1 approved

| Model No. | Output | Tol. | R&N | Effi. |
|-------------|-------------|------------|-------|-------|
| NEL-200-2.8 | 2.8V, 0~40A | +3%, -4.5% | 150mV | 85% |
| NEL-200-4.2 | 4.2V, 0~40A | +3%, -4.5% | 150mV | 87% |
| NEL-200-5 | 5V, 0~40A | $\pm 3\%$ | 150mV | 87% |

300W & 400W Single Output

- AC input 180~264VAC only
- Withstand 300VAC surge input for 5 seconds
- **Conformal coating**
- High efficiency up to 86% (NEL-300) High efficiency up to 84% (NEL-400)
- 1U low profile: 30mm
- Protections: Short circuit / Overload / Over voltage / Over temperature
- Forced air cooling by built-in DC fan
- LED indicator for power on
- **Suitable for moving sign applications**
- 2 years warranty



NEL-300
215x 115x 30 mm

NEL-400
215x 115x 30 mm

AC input voltage range 180~264VAC; 254~370VDC
 AC inrush current Cold start, 70A at 230VAC
 DC adjustment range 2.8V: 2.5~3V; 4.2V: 3.6~4.4V; 5V: 4.5~5.5V
 Overload protection 105%~140% hiccup mode, auto-recovery
 Over voltage protection 2.8V: 3.22~3.78V; 4.2V: 4.6~5.4V; 5V: 5.6~7V hiccup mode, auto-recovery
 Setup, rise, hold up time 2500ms, 50ms, 20ms at full load and 230VAC
 Withstand voltage I/P-O/P: 3kVAC, I/P-FG: 2kVAC, O/P-FG: 0.5kVAC
 Working temperature -20~+60°C (refer to output derating curve)
 Safety standards UL60950-1 approved

✦ NEL-300 Series

| Model No. | Output | Tol. | R&N | Effi. |
|-------------|-------------|------------|-------|-------|
| NEL-300-2.8 | 2.8V, 0~60A | +3%, -4.5% | 150mV | 81% |
| NEL-300-4.2 | 4.2V, 0~60A | +3%, -4.5% | 150mV | 85% |
| NEL-300-5 | 5V, 0~60A | $\pm 3\%$ | 150mV | 86% |

✦ NEL-400 Series

| Model No. | Output | Tol. | R&N | Effi. |
|-------------|-------------|------------|-------|-------|
| NEL-400-2.8 | 2.8V, 0~80A | +3%, -4.5% | 150mV | 79% |
| NEL-400-4.2 | 4.2V, 0~80A | +3%, -4.5% | 150mV | 83% |
| NEL-400-5 | 5V, 0~80A | $\pm 3\%$ | 150mV | 84% |

150W & 200W Single Output with PFC Function

- Universal AC input / Full range
- Withstand 300VAC surge input for 5 seconds (HSP-150)
- Built-in active PFC function
- **Conformal coating**
- **High efficiency up to 90%**
- Protections: Short circuit / Overload / Over voltage / Over temperature
- Cooling by free air convection for 150W and for 200W with 30CFM forced air(HSP-150); cooling by conduction(HSP-200)
- 1U low profile
- Built-in remote sense(HSP-150)
- LED indicator for power on
- **Suitable for moving sign applications**
- 3 years warranty



AC input voltage range 90~264VAC; 127~370VDC
 AC inrush current Cold start, 70A at 230VAC
 DC adjustment range 2.5V: 2.35~2.75V, 3.8V: 3.4~4.2V, 5V: 4.5~5.5V for HSP-150; 4.2V: 3.6~4.4V, 5V: 4.5~5.5V for HSP-200
 Overload protection 110%~180% hiccup mode, auto-recovery
 Over voltage protection 2.5V: 3.2~3.7V, 3.8V: 4.7~5.7V, 5V: 5.7~7V for HSP-150; 4.2V: 4.6~5.4V, 5V: 5.6~7V for HSP-200
 Setup, rise, hold up time 2000ms, 100ms, 16ms at full load and 230VAC
 Withstand voltage I/P - O/P: 3kVAC, I/P-FG: 2kVAC, O/P-FG: 0.5kVAC
 Working temperature -30~+70°C (refer to output derating curve)
 Safety standards UL60950-1, TUV EN60950-1(HSP-150) approved
 EMC standards EN55022 class B, EN61000-3-2,3, EN61000-4-2,3,4,5,6,8,11

◆ HSP-150 Series

| Model No. | Output(Rated/Peak) | Tol. | R&N | Effi. |
|-------------|--------------------|------|-------|-------|
| HSP-150-2.5 | 2.5V, 0~30A / 40A | ±2% | 80mV | 86% |
| HSP-150-3.8 | 3.8V, 0~30A / 40A | ±2% | 100mV | 88% |
| HSP-150-5 | 5V, 0~30A / 40A | ±2% | 100mV | 90% |

◆ HSP-200 Series

| Model No. | Output | Tol. | R&N | Effi. |
|-------------|-------------|------|-------|-------|
| HSP-200-4.2 | 4.2V, 0~40A | ±2% | 150mV | 87% |
| HSP-200-5 | 5V, 0~40A | ±2% | 150mV | 87% |

250W Single Output with PFC Function



AC input voltage range 85~264VAC; 120~370VDC
 DC adjustment range 2.5V: 2.3~2.8V; 3.6V: 3.24~3.96V; 5V: 4.5~5.5V
 AC inrush current Cold start, 70A at 230VAC
 Overload protection 105%~135% hiccup mode, auto-recovery
 Over voltage protection 2.5V: 2.88~3.38V; 3.6V: 4.14~4.86V; 5V: 5.75~6.75V shut down O/P voltage, re-power on to recover
 Setup, rise, hold up time 3000ms, 50ms, 16ms at full load and 230VAC
 Withstand voltage I/P - O/P: 3kVAC, I/P-FG: 2kVAC, O/P-FG: 0.5kVAC
 Working temperature -40~+70°C (refer to output derating curve)
 Safety standards UL60950-1, TUV EN60950-1 approved
 EMC standards EN55022 class B, EN61000-3-2,3, EN55024, EN61000-4-2,3,4,5,6,8,11, EN61000-6-2
 Packing 0.97kg; 16pcs / 16.5kg / 0.87CUFT

| Model No. | Output | Tol. | R&N | Effi. |
|-------------|-------------|------|-------|-------|
| HSP-250-2.5 | 2.5V, 0~50A | ±2% | 100mV | 79% |
| HSP-250-3.6 | 3.6V, 0~50A | ±2% | 100mV | 83% |
| HSP-250-5 | 5V, 0~50A | ±2% | 100mV | 87% |

300W Single Output with PFC Function



- Universal AC input / Full range
- Withstand 300VAC surge input for 5 seconds
- Built-in active PFC function
- **Conformal coating**
- **High efficiency up to 87%**
- Protections: Short circuit / Overload / Over voltage / Over temperature
- Cooling by conduction
- 1U low profile: 31mm
- LED indicator for power on
- **Suitable for moving sign applications**
- 3 years warranty

AC input voltage range 90~264VAC; 127~370VDC
 DC adjustment range 2.8V: 2.5~3V; 4.2V: 3.6~4.4V; 5V: 4.5~5.5V
 AC inrush current Cold start, 60A at 230VAC
 Overload protection 105%~135% hiccup mode, auto-recovery
 Over voltage protection 2.8V: 3.22~3.78V; 4.2V: 4.6~5.4V; 5V: 5.7~7.0V shut down O/P voltage, re-power on to recover
 Setup, rise, hold up time 2000ms, 100ms, 18ms at full load and 230VAC
 Withstand voltage I/P - O/P: 3kVAC, I/P-FG: 2kVAC, O/P-FG: 0.5kVAC
 Working temperature -30~+70°C (refer to output derating curve)
 Safety standards UL60950-1, TUV EN60950-1, CCC GB4943 approved
 EMC standards EN55022 class B, EN61000-3-2,3, EN61000-4-2,3,4,5,6,8,11, GB9254

| Model No. | Output | Tol. | R&N | Effi. |
|-------------|-------------|------|-------|-------|
| HSP-300-2.8 | 2.8V, 0~60A | ±2% | 110mV | 80% |
| HSP-300-4.2 | 4.2V, 0~60A | ±2% | 150mV | 85% |
| HSP-300-5 | 5V, 0~60A | ±2% | 150mV | 87% |

190W & 240W Dual Output with PFC Function



- Universal AC input / Full range
- Built-in active PFC function
- **Conformal coating**
- **High efficiency up to 86%**
- Protections: Short circuit / Overload / Over voltage / Over temperature
- Fanless design (HDP-190); Forced air cooling by built-in DC fan (HDP-240)
- 1U low profile: 36mm
- **Suitable for moving sign applications**
- 3 years warranty

AC input voltage range 90~264VAC; 127~370VDC
 DC adjustment range V1: 3.6~4V; V2: 2.5~3V
 AC inrush current Cold start, 45A at 230VAC
 Overload protection V1+V2: 105%~150%, V2: 125%~170% hiccup mode, auto-recovery
 Over voltage protection V1: 4.37~5.13V, V2: 3.22~3.78V shut down O/P voltage, re-power on to recover
 Setup, rise, hold up time 1000ms, 50ms, 16ms at full load and 230VAC
 Withstand voltage I/P - O/P: 3kVAC, I/P-FG: 2kVAC, O/P-FG: 0.5kVAC
 Working temperature -30~+70°C (refer to output derating curve)
 Safety standards UL60950-1, TUV EN60950-1 approved
 EMC standards EN55022 class B, EN61000-3-2,3, EN55024, EN61000-4-2,3,4,5,6,8,11, EN61000-6-2
 Packing 0.95kg; 15pcs / 15.3kg / 0.7CUFT (HDP-190)
 1kg; 15pcs / 16kg / 0.7CUFT (HDP-240)

◆ HDP-190 Series

| Model No. | Output | Tol. | R&N | Effi. | Max. |
|-----------|-------------|------|-------|-------|------|
| HDP-190 | 3.8V, 0~40A | ±2% | 100mV | 86% | 192W |
| | 2.8V, 0~22A | ±2% | 100mV | | |

◆ HDP-240 Series

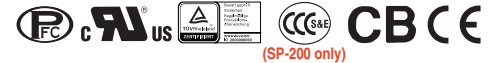
| Model No. | Output | Tol. | R&N | Effi. | Max. |
|-----------|---------------|------|-------|-------|------|
| HDP-240 | 3.8V, 0~50A | ±2% | 100mV | 84% | 241W |
| | 2.8V, 0~27.5A | ±2% | 100mV | | |



■ Features

- Universal AC input / Full range
- Built-in active PFC function
- Protections: Short circuit / Overload / Over voltage / Over temperature (SP-150 / 200 / 240)
- Cooling by free air convection (SP-75 / 100 / 150)
- Forced air cooling by built-in DC fan (SP-200 / 240)
- Optional remote ON/OFF control (SP-75~200)
- Built-in fan speed control (SP-200)
- Built-in fan ON/OFF control (SP-240)
- 100% full load burn-in test
- 3 years warranty

■ General Specification (Please refer to www.meanwell.com for detail spec.)



| Model No. | SP-75 | SP-100 | SP-150 | SP-200 | SP-240 |
|--------------------------|---|--|--|---------------------------|----------------------------|
| AC input voltage range | 85~264VAC; 120~370VDC | | | | 88~264VAC; 124~370VDC |
| AC inrush current (max.) | Cold start, 45A at 230VAC | Cold start, 35A at 230VAC | Cold start, 45A at 230VAC | Cold start, 50A at 230VAC | Cold start, 40A at 230VAC |
| DC adjustment range | -5%~+10% rated output voltage | | | | ±15% rated output voltage |
| Overload protection | Range | 105%~150% | | | 105%~135% |
| | Type | Constant current limiting, auto-recovery | | | Hiccup mode, auto-recovery |
| Over voltage protection | Range | 115%~135% | 110%~135% | | 120%~150% |
| | Type | Shut off, AC recycle to re-start | | | |
| Withstand voltage | I/P-O/P: 3kVAC, I/P-FG: 1.5kVAC, O/P-FG: 0.5kVAC, 1 minute | | | | |
| Working temperature | -10~+60°C | | -10~+55°C | -10~+60°C | -20~+70°C |
| Safety standards | UL60950-1, TUV EN60950-1, GB4943(SP-200 only) approved | | | | |
| EMC standards | EN55022 class B, EN61000-4-2,3,4,5,6,8,11, EN61000-3-2,3, GB9254(SP-200 only) | | | | |
| Connection | 5P / 9.5mm pitch | | 7P / 9.5mm pitch terminal block with cover | | |
| Dimension (LxWxH)(mm) | 179x 97x 33 | 179x 99x 45 | 199x 99x 50 | 199x 99x 50 | 190x 93x 50 |
| Case No. | 920A | 915A | 916A | 916B | 987A |
| Packing | 20pcs/12.0kg | 20pcs/14.3kg | 20pcs/16.4kg | 20pcs/17.9kg | 18pcs/15.4kg |

■ 75W SP-75

| Model No. | Output | Tol. | R&N | Effi. |
|------------|---------------|------|-------|-------|
| SP-75-3.3 | 3.3V, 0~15A | ±2% | 80mV | 70.0% |
| SP-75-5 | 5V, 0~15A | ±2% | 80mV | 76.0% |
| SP-75-7.5 | 7.5V, 0~10A | ±2% | 80mV | 79.0% |
| SP-75-12 | 12V, 0~6.3A | ±2% | 80mV | 81.0% |
| SP-75-13.5 | 13.5V, 0~5.6A | ±2% | 80mV | 82.0% |
| SP-75-15 | 15V, 0~5.0A | ±2% | 80mV | 82.0% |
| SP-75-24 | 24V, 0~3.2A | ±1% | 100mV | 83.0% |
| SP-75-27 | 27V, 0~2.8A | ±1% | 100mV | 83.0% |
| SP-75-48 | 48V, 0~1.6A | ±1% | 100mV | 83.0% |

■ 150W SP-150

| Model No. | Output | Tol. | R&N | Effi. |
|-------------|----------------|------|-------|-------|
| SP-150-3.3 | 3.3V, 0~30.0A | ±2% | 100mV | 73.0% |
| SP-150-5 | 5V, 0~30.0A | ±2% | 100mV | 77.5% |
| SP-150-7.5 | 7.5V, 0~20.0A | ±2% | 100mV | 81.0% |
| SP-150-12 | 12V, 0~12.5A | ±2% | 100mV | 84.0% |
| SP-150-13.5 | 13.5V, 0~11.2A | ±2% | 100mV | 84.0% |
| SP-150-15 | 15V, 0~10.0A | ±2% | 100mV | 85.0% |
| SP-150-24 | 24V, 0~6.30A | ±1% | 150mV | 85.0% |
| SP-150-27 | 27V, 0~5.60A | ±1% | 150mV | 85.0% |
| SP-150-48 | 48V, 0~3.20A | ±1% | 250mV | 85.0% |

■ 100W SP-100

| Model No. | Output | Tol. | R&N | Effi. |
|-------------|----------------|------|-------|-------|
| SP-100-3.3 | 3.3V, 0~20.0A | ±2% | 100mV | 75.0% |
| SP-100-5 | 5V, 0~20.0A | ±2% | 100mV | 79.0% |
| SP-100-7.5 | 7.5V, 0~13.5A | ±2% | 100mV | 82.0% |
| SP-100-12 | 12V, 0~8.50A | ±2% | 100mV | 82.5% |
| SP-100-13.5 | 13.5V, 0~7.50A | ±2% | 100mV | 83.0% |
| SP-100-15 | 15V, 0~6.70A | ±2% | 100mV | 84.0% |
| SP-100-24 | 24V, 0~4.20A | ±1% | 150mV | 87.0% |
| SP-100-27 | 27V, 0~3.80A | ±1% | 150mV | 86.0% |
| SP-100-48 | 48V, 0~2.10A | ±1% | 250mV | 84.0% |

■ 200W SP-200

| Model No. | Output | Tol. | R&N | Effi. |
|-------------|----------------|------|-------|-------|
| SP-200-3.3 | 3.3V, 0~40.0A | ±2% | 100mV | 69.0% |
| SP-200-5 | 5V, 0~40.0A | ±2% | 100mV | 76.0% |
| SP-200-7.5 | 7.5V, 0~26.7A | ±2% | 100mV | 78.5% |
| SP-200-12 | 12V, 0~16.7A | ±2% | 100mV | 84.0% |
| SP-200-13.5 | 13.5V, 0~14.9A | ±2% | 100mV | 84.0% |
| SP-200-15 | 15V, 0~13.4A | ±2% | 100mV | 84.0% |
| SP-200-24 | 24V, 0~8.40A | ±1% | 150mV | 85.0% |
| SP-200-27 | 27V, 0~7.50A | ±1% | 150mV | 85.0% |
| SP-200-48 | 48V, 0~4.20A | ±1% | 250mV | 85.0% |

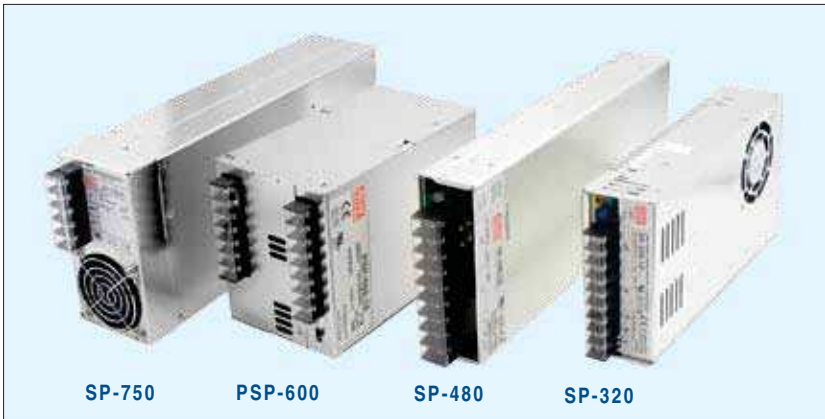
■ 240W SP-240

| Model No. | Output | Tol. | R&N | Effi. |
|------------|-------------|------|-------|-------|
| SP-240-5 | 5V, 0~45A | ±2% | 150mV | 79.0% |
| SP-240-7.5 | 7.5V, 0~32A | ±2% | 150mV | 83.0% |
| SP-240-12 | 12V, 0~20A | ±1% | 150mV | 86.0% |
| SP-240-15 | 15V, 0~16A | ±1% | 150mV | 86.0% |
| SP-240-24 | 24V, 0~10A | ±1% | 150mV | 87.0% |
| SP-240-30 | 30V, 0~8.0A | ±1% | 150mV | 88.0% |
| SP-240-48 | 48V, 0~5.0A | ±1% | 150mV | 89.0% |



48hrs delivery—

We keep enough stock for 95% of standard models at our 2400m² warehouse. We can arrange prompt delivery within 48hrs.



■ Features

- Universal AC input / Full range
- Built-in active PFC function
- Protections: Short circuit / Overload / Over voltage / Over temperature
- Forced air cooling by built-in DC fan
- Built-in fan speed control (SP-320)
- Built-in remote sense function and ON/OFF control (SP-480/750 & PSP-600)
- Current sharing up to 2400W (3+1) (PSP-600)
- With DC OK signal output (PSP-600)
- With PG/PF signal output (SP-750)
- 100% full load burn-in test
- 3 years warranty

■ General Specification (Please refer to www.meanwell.com for detail spec.)

| Model No. | SP-320 | SP-480 | PSP-600 | SP-750 |
|--------------------------|---|---|--|--|
| AC input voltage range | 88~264VAC | 85~264VAC | 88~264VAC | 90~264VAC |
| AC inrush current (max.) | Cold start, 40A at 230VAC | | | Cold Start, 45A at 230VAC |
| DC adjustment range | ±10% rated output voltage | | | |
| Overload protection | Range | 105%~135% | 105%~145% | 105%~135% |
| | Type | Hiccup mode, auto-recovery | Constant current limiting, auto-recovery | Constant current limiting, auto-recovery |
| Over voltage protection | 115%~145% | 115%~140% | | 105%~125% |
| Withstand voltage | I/P - O/P: 3kVAC, I/P - FG: 1.5kVAC, O/P - FG: 0.5kVAC(short for SP-480), 1 minute | | | |
| Working temperature | -20~+65°C | -20~+60°C | | |
| Safety standards | UL60950-1, TUV EN60950-1 approved; GB4943 approved also for SP-320 (expect for 3.3V/ 5PNC/ 36V) | | | |
| EMC standards | EN55022 class B, EN61000-4-2,3,4,5,6,8,11, EN61000-3-2,3, EN61000-6-2(SP-480/750), GB9254 (SP-320 only) | | | |
| Connection | 9P / 9.5mm pitch terminal block with cover | 9P / 11mm pitch terminal block with cover | 7+8P / 9.5mm pitch terminal block with cover | 5P / 10mm pitch terminal block with cover for input; copper pillars for output |
| Dimension (LxWxH)(mm) | 215x115x50 | 278x127x43 | 170x120x93 | 278x127x63.5 |
| Case No. | 912G | 929A | 910A | 919A |
| Packing | 12pcs / 14.0kg | 6pcs / 11.3kg | 8pcs / 15.5kg | 6pcs / 18.4kg |

■ SP-320 Series



| Model No. | Output | Tol. | R&N | Effi. |
|--------------|----------------|------|-------|-------|
| *SP-320-3.3 | 3.3V, 0~60.0A | ±1% | 150mV | 74% |
| SP-320-5 | 5V, 0~55.0A | ±2% | 150mV | 79% |
| *SP-320-5PNC | 5V, 0~55.0A | ±2% | 150mV | 80% |
| SP-320-7.5 | 7.5V, 0~40.0A | ±2% | 150mV | 83% |
| SP-320-12 | 12V, 0~25.0A | ±1% | 150mV | 86% |
| SP-320-13.5 | 13.5V, 0~22.0A | ±1% | 150mV | 86% |
| SP-320-15 | 15V, 0~20.0A | ±1% | 150mV | 86% |
| SP-320-24 | 24V, 0~13.0A | ±1% | 150mV | 87% |
| SP-320-27 | 27V, 0~11.7A | ±1% | 200mV | 88% |
| *SP-320-36 | 36V, 0~8.80A | ±1% | 220mV | 87% |
| SP-320-48 | 48V, 0~6.70A | ±1% | 240mV | 89% |

* Without CCC models

❖ SP-320-5PNC with conformal coating and high ambient temperature operation ability is suitable for LED moving sign applications, MOQ required.

■ SP-480 Series



| Model No. | Output | Tol. | R&N | Effi. |
|------------|-------------|-------|-------|-------|
| SP-480-3.3 | 3.3V, 0~85A | ±2.0% | 80mV | 73% |
| SP-480-5 | 5V, 0~85A | ±2.0% | 80mV | 79% |
| SP-480-12 | 12V, 0~43A | ±1.5% | 120mV | 85% |
| SP-480-15 | 15V, 0~35A | ±1.5% | 150mV | 85% |
| SP-480-24 | 24V, 0~22A | ±1.0% | 150mV | 87% |
| SP-480-48 | 48V, 0~11A | ±1.0% | 240mV | 89% |

■ PSP-600 Series



| Model No. | Output | Tol. | R&N | Effi. |
|--------------|----------------|------|-------|-------|
| PSP-600-5 | 5V, 0~80A | ±2% | 180mV | 79% |
| PSP-600-12 | 12V, 0~50A | ±1% | 240mV | 84% |
| PSP-600-13.5 | 13.5V, 0~44.5A | ±1% | 240mV | 85% |
| PSP-600-15 | 15V, 0~40A | ±1% | 240mV | 85% |
| PSP-600-24 | 24V, 0~25A | ±1% | 240mV | 86% |
| PSP-600-27 | 27V, 0~22.2A | ±1% | 240mV | 86% |
| PSP-600-48 | 48V, 0~12.5A | ±1% | 300mV | 87% |

■ SP-750 Series

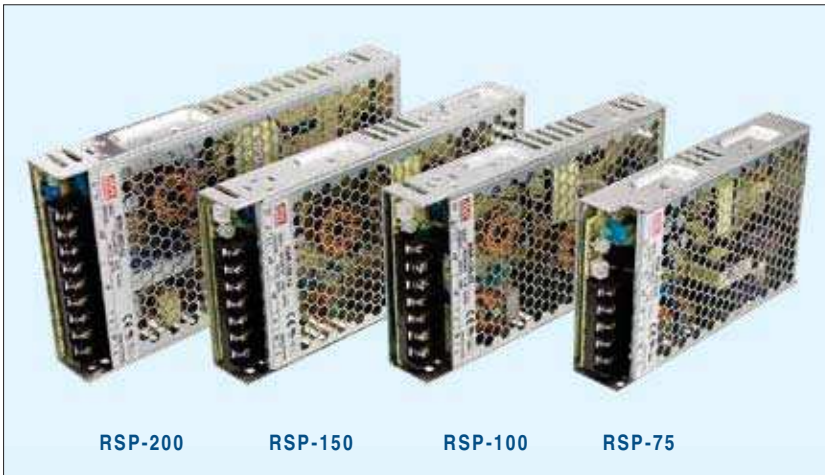


| Model No. | Output | Tol. | R&N | Effi. |
|-----------|--------------|------|-------|-------|
| SP-750-5 | 5V, 0~120A | ±2% | 120mV | 80% |
| SP-750-12 | 12V, 0~62.5A | ±1% | 120mV | 85% |
| SP-750-15 | 15V, 0~50.0A | ±1% | 120mV | 87% |
| SP-750-24 | 24V, 0~31.3A | ±1% | 120mV | 89% |
| SP-750-27 | 27V, 0~27.8A | ±1% | 120mV | 89% |
| SP-750-48 | 48V, 0~15.7A | ±1% | 120mV | 90% |



Who can provide you better services and be a trustworthy partner in the power industry?

— "MEAN WELL" tries to be —



Features

- Ultra low profile: 30mm
- Universal AC input / Full range
- Built-in active PFC function
- Protections: Short circuit / Overload / Over voltage / Over temperature (RSP-100/150/200)
- Cooling by free air convection
- Built-in constant current limiting circuit (RSP-75/100/150)
- Remote ON/OFF control (RSP-75/100/150)
- LED indicator for power on
- 3 years warranty

General Specification (Please refer to www.meanwell.com for detail spec.)



| Model No. | RSP-75 | RSP-100 | RSP-150 | RSP-200 |
|--------------------------|---|---|---------------------------------|--|
| AC input voltage range | 85~264VAC; 120~370VDC | | | 88~264VAC; 124~370VDC |
| AC inrush current (max.) | Cold start, 35A at 230VAC | 30A at 230VAC | 45A at 230VAC | 40A at 230VAC |
| DC adjustment range | -5%~+10% rated output voltage | | | ±10% rated output voltage |
| Overload protection | Range | 105%~135% | 105%~150% | |
| | Type | Constant current limiting, auto-recovery | | Hiccup mode, auto-recovery |
| Over voltage protection | Range | 110%~135% | | 115%~145% |
| | Type | Shut down O/P voltage, re-power on to recover | | |
| Withstand voltage | I/P-O/P: 3.75kVAC, I/P-FG: 2kVAC, O/P-FG: 0.5kVAC | | | I/P-O/P: 3kVAC, I/P-FG: 2kVAC, O/P-FG: 0.5kVAC |
| Working temperature | -25~+70°C | -30~+70°C (refer to output derating curve) | | |
| Safety standards | UL60950-1, TUV EN60950-1, EN61558-1, EN61558-2-16, CCC GB4943 approved; UL62368-1 approved for RSP-150 only | | | UL60950-1, TUV EN60950-1, CCC GB4943 approved |
| EMC standards | EN55022 class B, EN61000-3-2,3, EN61000-4-2,3,4,5,6,8,11, GB9254 | | | |
| Connection | 5P / 9.5mm pitch terminal block | 7P / 9.5mm pitch terminal block | 9P / 9.5mm pitch terminal block | |
| Dimension (LxWxH) (mm) | 159x97x30 | 179x99x30 | 199x99x30 | 215x115x30 |

75W

RSP-75

| Model No. | Output | Tol. | R&N | Effi. |
|-------------|---------------|------|-------|-------|
| RSP-75-3.3 | 3.3V, 0~15A | ±2% | 80mV | 76.0% |
| RSP-75-5 | 5V, 0~15A | ±2% | 80mV | 82.0% |
| RSP-75-7.5 | 7.5V, 0~10A | ±2% | 80mV | 84.0% |
| RSP-75-12 | 12V, 0~6.3A | ±2% | 120mV | 85.0% |
| RSP-75-13.5 | 13.5V, 0~5.6A | ±2% | 120mV | 85.0% |
| RSP-75-15 | 15V, 0~5A | ±2% | 120mV | 86.0% |
| RSP-75-24 | 24V, 0~3.2A | ±1% | 120mV | 87.0% |
| RSP-75-27 | 27V, 0~2.8A | ±1% | 120mV | 88.0% |
| RSP-75-48 | 48V, 0~1.6A | ±1% | 200mV | 89.0% |

150W

RSP-150

| Model No. | Output | Tol. | R&N | Effi. |
|--------------|----------------|------|-------|-------|
| RSP-150-3.3 | 3.3V, 0~30A | ±2% | 100mV | 81.5% |
| RSP-150-5 | 5V, 0~30A | ±2% | 100mV | 87.0% |
| RSP-150-7.5 | 7.5V, 0~20A | ±2% | 100mV | 88.5% |
| RSP-150-12 | 12V, 0~12.5A | ±2% | 100mV | 90.0% |
| RSP-150-13.5 | 13.5V, 0~11.2A | ±2% | 100mV | 87.5% |
| RSP-150-15 | 15V, 0~10A | ±2% | 100mV | 88.5% |
| RSP-150-24 | 24V, 0~6.3A | ±1% | 150mV | 89.0% |
| RSP-150-27 | 27V, 0~5.6A | ±1% | 150mV | 89.5% |
| RSP-150-48 | 48V, 0~3.2A | ±1% | 250mV | 90.0% |

100W

RSP-100

| Model No. | Output | Tol. | R&N | Effi. |
|--------------|---------------|------|-------|-------|
| RSP-100-3.3 | 3.3V, 0~20A | ±2% | 100mV | 83.0% |
| RSP-100-5 | 5V, 0~20A | ±2% | 100mV | 86.0% |
| RSP-100-7.5 | 7.5V, 0~13.5A | ±2% | 100mV | 87.0% |
| RSP-100-12 | 12V, 0~8.5A | ±1% | 100mV | 86.0% |
| RSP-100-13.5 | 13.5V, 0~7.5A | ±1% | 100mV | 86.5% |
| RSP-100-15 | 15V, 0~6.7A | ±1% | 100mV | 87.0% |
| RSP-100-24 | 24V, 0~4.2A | ±1% | 150mV | 87.0% |
| RSP-100-27 | 27V, 0~3.8A | ±1% | 150mV | 87.0% |
| RSP-100-48 | 48V, 0~2.1A | ±1% | 250mV | 88.0% |

200W

RSP-200

| Model No. | Output | Tol. | R&N | Effi. |
|--------------|----------------|------|-------|-------|
| RSP-200-2.5 | 2.5V, 0~40A | ±2% | 100mV | 79.5% |
| RSP-200-3.3 | 3.3V, 0~40A | ±2% | 100mV | 81.5% |
| RSP-200-4 | 4V, 0~40A | ±2% | 100mV | 84.0% |
| RSP-200-5 | 5V, 0~40A | ±2% | 150mV | 85.5% |
| RSP-200-7.5 | 7.5V, 0~26.7A | ±2% | 150mV | 89.0% |
| RSP-200-12 | 12V, 0~16.7A | ±1% | 150mV | 89.0% |
| RSP-200-13.5 | 13.5V, 0~14.9A | ±1% | 150mV | 89.0% |
| RSP-200-15 | 15V, 0~13.4A | ±1% | 150mV | 89.5% |
| RSP-200-24 | 24V, 0~8.4A | ±1% | 150mV | 89.5% |
| RSP-200-27 | 27V, 0~7.5A | ±1% | 200mV | 89.0% |
| RSP-200-36 | 36V, 0~5.56A | ±1% | 220mV | 90.0% |
| RSP-200-48 | 48V, 0~4.2A | ±1% | 240mV | 90.0% |



■ Features

- 1U low profile
- Universal AC input / Full range
- Built-in active PFC function
- Protections: Short circuit / Overload / Over voltage / Over temp. / Fan alarm (RSP-750)
- Forced air cooling by built-in DC fan
- Vo can be trimmed 40~110% by 2~5.5VDC external control signal (RSP-750)
- Io can be trimmed 40~110% by 2~5.5VDC external control signal (RSP-750)
- Built-in remote sense and ON/OFF control (RSP-500/750)
- Built-in auxiliary power (RSP-750)
- DC OK signal (RSP-750)
- LED indicator for power on
- 3 years warranty

■ General Specification (Please refer to www.meanwell.com for detail spec.)



| Model No. | RSP-320 | RSP-500 | RSP-750 |
|-------------------------|--|---|--|
| AC input voltage range | 88~264VAC; 124~370VDC | 85~264VAC; 120~370VDC | 90~264VAC; 127~370VDC |
| AC inrush current(max.) | Cold start, 40A at 230VAC | | |
| DC adjustment range | ±10% rated output voltage | | |
| Overload protection | Range | 105%~135% | 105%~130% |
| | Type | Hiccup mode, auto-recovery | Constant current limiting, auto-recovery |
| Over voltage protection | Range | 115%~145% | |
| | Type | Shut down O/P voltage, re-power on to recover | |
| Withstand voltage | I/P-O/P: 3kVAC, I/P-FG: 2kVAC, O/P-FG: 0.5kVAC | | |
| Working temperature | -30~+70°C (refer to output derating curve) | | |
| Safety standards | UL60950-1, TUV EN60950-1 approved; CCC GB4943 approved for RSP-320 only | | |
| EMC standards | EN55022 class B, EN61000-3-2,3, EN61000-4-2,3,4,5,6,8,11, EN61000-6-2(RSP-500/750), GB9254(RSP-320 only) | | |
| Connection | Input | 9P / 9.5mm pitch terminal block | 3P / 9.5mm pitch terminal block |
| | Output | | 6P / 11mm pitch terminal block |
| Dimension (LxWxH) (mm) | 215x115x30 | 230x127x40.5 | 250x127x41 |
| Case No. | 207A | 226A | 212A |

■ 320W RSP-320

| Model No. | Output | Tol. | R&N | Effi. |
|--------------|----------------|------|-------|-------|
| RSP-320-2.5 | 2.5V, 0~60A | ±2% | 100mV | 75.5% |
| RSP-320-3.3 | 3.3V, 0~60A | ±2% | 100mV | 79.5% |
| RSP-320-4 | 4V, 0~60A | ±2% | 100mV | 81.0% |
| RSP-320-5 | 5V, 0~60A | ±2% | 150mV | 83.0% |
| *RSP-320-5CC | 5V, 0~60A | ±2% | 150mV | 83.0% |
| RSP-320-7.5 | 7.5V, 0~40A | ±2% | 150mV | 88.0% |
| RSP-320-12 | 12V, 0~26.7A | ±1% | 150mV | 88.0% |
| RSP-320-13.5 | 13.5V, 0~23.8A | ±1% | 150mV | 88.0% |
| RSP-320-15 | 15V, 0~21.4A | ±1% | 150mV | 88.5% |
| RSP-320-24 | 24V, 0~13.4A | ±1% | 150mV | 89.0% |
| RSP-320-27 | 27V, 0~11.9A | ±1% | 200mV | 89.0% |
| RSP-320-36 | 36V, 0~8.9A | ±1% | 220mV | 89.5% |
| RSP-320-48 | 48V, 0~6.7A | ±1% | 240mV | 90.0% |

* RSP-320-5CC with conformal coating is suitable for LED moving sign applications, MOQ required.

■ 500W RSP-500

| Model No. | Output | Tol. | R&N | Effi. |
|-------------|--------------|------|-------|-------|
| RSP-500-3.3 | 3.3V, 0~90A | ±2% | 120mV | 81.0% |
| RSP-500-4 | 4V, 0~90A | ±2% | 120mV | 83.0% |
| RSP-500-5 | 5V, 0~90A | ±2% | 150mV | 83.0% |
| RSP-500-12 | 12V, 0~41.7A | ±1% | 150mV | 89.0% |
| RSP-500-15 | 15V, 0~33.4A | ±1% | 150mV | 88.0% |
| RSP-500-24 | 24V, 0~21A | ±1% | 150mV | 89.0% |
| RSP-500-27 | 27V, 0~18.6A | ±1% | 150mV | 89.5% |
| RSP-500-48 | 48V, 0~10.5A | ±1% | 150mV | 90.5% |

■ 750W RSP-750

| Model No. | Output | Tol. | R&N | Effi. |
|------------|--------------|------|-------|-------|
| RSP-750-5 | 5V, 0~100A | ±2% | 150mV | 82.0% |
| RSP-750-12 | 12V, 0~62.5A | ±1% | 150mV | 87.0% |
| RSP-750-15 | 15V, 0~50A | ±1% | 150mV | 89.0% |
| RSP-750-24 | 24V, 0~31.3A | ±1% | 150mV | 90.5% |
| RSP-750-27 | 27V, 0~27.8A | ±1% | 150mV | 90.5% |
| RSP-750-48 | 48V, 0~15.7A | ±1% | 150mV | 92.0% |



Features

- Universal AC input / Full range (RSP-1000/1500/2000)
AC input 180~264VAC only (RSP-2400/3000)
- Built-in active PFC function
- Protections:
Short circuit / Overload / Over voltage /
Over temperature / Fan alarm (RSP-2400/3000)
- Forced air cooling by built-in DC fan
- High power density up to 21.4W/in³ (RSP-2000)
- Vo can be trimmed by external resistor or external control signal
- Built-in current sharing
- Built-in remote sense and ON/OFF control
- Built-in auxiliary power
- DC OK signal (RSP-1000/2000)
- Alarm signal output (RSP-1500/2000/2400/3000)
- 5 years warranty

General Specification (Please refer to www.meanwell.com for detail spec.)



| Model No. | RSP-1000 | RSP-1500 | RSP-2000 | RSP-2400 | RSP-3000 |
|--------------------------|--|---|---|--|---|
| AC input voltage range | 90~264VAC; 127~370VDC | | | 180~264VAC; 254~370VDC | |
| AC inrush current (max.) | Cold start, 40A at 230VAC | Cold start, 60A at 230VAC | Cold start, 50A at 230VAC | Cold start, 60A at 230VAC | |
| DC adjustment range | ±10% rated output voltage | -30%~+10% rated output voltage | ±10% rated output voltage | | |
| Overload protection | Range | 105%~125% | 105%~135% | 105%~125% | 100%~112% |
| | Type | Constant current limiting, auto-recovery | Constant current limiting, shut off after 5 sec., re-power on to recover | | Constant current limiting, shut off after 5 sec., re-power on to recover (can adjust to continuous constant current limiting) |
| Over voltage protection | Range | 115%~135% | 115%~140% | 120%~145% | 115%~140% |
| | Type | Shut down O/P voltage, re-power on to recover | | | |
| Withstand voltage | I/P-O/P: 3kVAC, I/P-FG: 2kVAC, O/P-FG: 0.5kVAC | | | | |
| Working temperature | -20~+60°C | -20~+70°C | -35~+70°C | -20~+70°C | |
| Safety standards | UL60950-1, TUV EN60950-1 approved | | | | |
| EMC standards | EN55022 class B, EN61000-3-2,3, EN61000-4-2,3,4,5,6,8,11, EN61000-6-2(RSP-1000/2000) | | | | |
| Connection | Input | 3P/10mm pitch terminal block with cover | 3P/13mm pitch terminal block with cover | 3P/10mm pitch terminal block with cover | 3P/13mm pitch terminal block with cover |
| | Output | Copper pillars | | | |
| Dimension (LxWxH) (mm) | 295x127x41 | 278x127x83.5 | 295x127x41 | 278x177.8x63.5 | |
| Case No. | 952B | 943A | 952D | 982B | |
| Packing | 1.95kg; 6pcs / 12.7kg / 1.15CUFT | 3.0kg; 4pcs / 13kg / 1.19CUFT | 1.95kg; 6pcs / 12.7kg / 1.15CUFT | 3.3kg; 4pcs / 14.2kg / 1.89CUFT | 4kg; 4pcs / 16kg / 1.89CUFT |

1000W RSP-1000

| Model No. | Output | Tol. | R&N | Effi. |
|-------------|------------|------|-------|-------|
| RSP-1000-12 | 12V, 0~60A | ±1% | 150mV | 83% |
| RSP-1000-15 | 15V, 0~50A | ±1% | 150mV | 85% |
| RSP-1000-24 | 24V, 0~40A | ±1% | 150mV | 88% |
| RSP-1000-27 | 27V, 0~37A | ±1% | 150mV | 88% |
| RSP-1000-48 | 48V, 0~21A | ±1% | 150mV | 90% |

1500W RSP-1500

| Model No. | Output | Tol. | R&N | Effi. |
|-------------|-------------|------|-------|-------|
| RSP-1500-5 | 5V, 0~240A | ±2% | 150mV | 80% |
| RSP-1500-12 | 12V, 0~125A | ±1% | 150mV | 87% |
| RSP-1500-15 | 15V, 0~100A | ±1% | 150mV | 87% |
| RSP-1500-24 | 24V, 0~63A | ±1% | 150mV | 90% |
| RSP-1500-27 | 27V, 0~56A | ±1% | 150mV | 90% |
| RSP-1500-48 | 48V, 0~32A | ±1% | 200mV | 91% |

2000W RSP-2000

| Model No. | Output | Tol. | R&N | Effi. |
|-------------|-------------|------|-------|-------|
| RSP-2000-12 | 12V, 0~100A | ±2% | 150mV | 87.0% |
| RSP-2000-24 | 24V, 0~80A | ±1% | 200mV | 90.5% |
| RSP-2000-48 | 48V, 0~42A | ±1% | 300mV | 92.0% |

2400W RSP-2400

| Model No. | Output | Tol. | R&N | Effi. |
|-------------|---------------|------|-------|-------|
| RSP-2400-12 | 12V, 0~166.7A | ±1% | 150mV | 87.0% |
| RSP-2400-24 | 24V, 0~100A | ±1% | 150mV | 90.0% |
| RSP-2400-48 | 48V, 0~50A | ±1% | 200mV | 91.0% |

3000W RSP-3000

| Model No. | Output | Tol. | R&N | Effi. |
|-------------|--------------|------|-------|-------|
| RSP-3000-12 | 12V, 0~200A | ±1% | 150mV | 86.0% |
| RSP-3000-24 | 24V, 0~125A | ±1% | 150mV | 89.5% |
| RSP-3000-48 | 48V, 0~62.5A | ±1% | 200mV | 90.5% |

5000W & 10000W Single Output

- 3 ϕ 3-wire/ Δ 196~305VAC or 3 ϕ 4-wire/ Y 340~530VAC wide input range
- Built-in active PFC function
- High efficiency up to 91%
- Protections: Short circuit / Overload / Over voltage / Over temp./ Fan alarm
- Built-in fan speed control
- Vo can be trimmed 20~120% by 1~6VDC external control signal
- Vo can be trimmed 20~100% by 1~5VDC external control signal
- Current sharing up to 3 units for RST-5000, up to 2 units for RST-10000
- Built-in remote sense and ON/OFF control
- Built-in 12V/0.1A auxiliary power
- Alarm signal output
- 5 years warranty



UL/CUL/TUV/CB/CE pending



AC input voltage range 3 ϕ 3-wire/ Δ 196~305VAC or 3 ϕ 4-wire/ Y 340~530VAC
 DC adjustment range -2%~+20% rated output voltage
 AC inrush current Cold start, 50A (RST-5000); 100A(RST-10000) at 230VAC/ Δ or 400VAC/Y
 Overload protection 100%~112% constant current limiting, auto-recovery (can adjust to delay shut down)
 Over voltage protection 125%~140% shut down O/P voltage, re-power on to recover
 Setup, rise, hold up time 2200ms, 80ms, 14ms at full load
 Withstand voltage I/P-O/P: 3kVAC, I/P-FG: 2kVAC, O/P-FG: 0.5kVAC
 Working temperature -30~+70°C (refer to output derating curve)
 Safety standards UL60950-1, TUV EN60950-1 approved
 EMC standards EN55022 class A, EN61000-3-2,3, EN61000-4-2,3,4,5,6,8,11, EN61000-6-2
 (RST-5000-36 and RST-10000 pending)

◆ RST-5000 Series

| Model No. | Output | Tol. | R&N | Effi. |
|---------------|-------------|------|-------|-------|
| RST-5000-24 | 24V, 0~200A | ±1% | 150mV | 89% |
| * RST-5000-36 | 36V, 0~138A | ±1% | 200mV | 90% |
| RST-5000-48 | 48V, 0~105A | ±1% | 200mV | 91% |

* RST-5000-36 under development

◆ RST-10000 Series

| Model No. | Output | Tol. | R&N | Effi. |
|--------------|-------------|------|-------|-------|
| RST-10000-24 | 24V, 0~400A | ±1% | 150mV | 89% |
| RST-10000-36 | 36V, 0~276A | ±1% | 200mV | 90% |
| RST-10000-48 | 48V, 0~210A | ±1% | 200mV | 91% |

150~1500W Output Voltage Programmable

- Universal AC input / Full range
- Built-in active PFC function
- Protections: Short circuit / Overload / Over voltage / Over temperature
- Vo can be trimmed 20~110% by 1~5.5VDC external control signal
- Forced air cooling by built-in DC fan (except for SPV-150)
- Cooling by free air convection (SPV-150)
- Built-in remote sense and ON/OFF control (SPV-1500)
- Built-in 12V/0.1A auxiliary power and current sharing up to 4500W (SPV-1500)
- 3 years warranty



AC input voltage range 88~264VAC (SPV-150/300); 90~264VAC (SPV-1500)
 DC adjustment range -15%~+10% (SPV-150/300); ±5% (SPV-1500) rated output voltage
 AC inrush current Cold start, 40A (SPV-150/300); 60A (SPV-1500) at 230VAC
 Overload protection 105%~150% (SPV-150); 105%~135% (SPV-300/1500) constant current limiting, auto-recovery
 Over voltage protection 115%~140%(SPV-150/300); 120%~140%(SPV-1500) shut down O/P voltage, re-power on to recover
 Withstand voltage I/P - O/P: 3kVAC, I/P-FG: 2kVAC, O/P-FG: 0.5kVAC
 Working temperature -20~+65°C (SPV-150/300); -20~+70°C (SPV-1500)
 Safety standards UL60950-1, TUV EN60950-1 approved
 EMC standards EN55022 class B, EN61000-3-2,3, EN61000-4-2,3,4,5,6,8,11
 Packing 12pcs / 14kg(SPV-150/300); 4pcs / 13kg(SPV-1500)

◆ SPV-150 Series

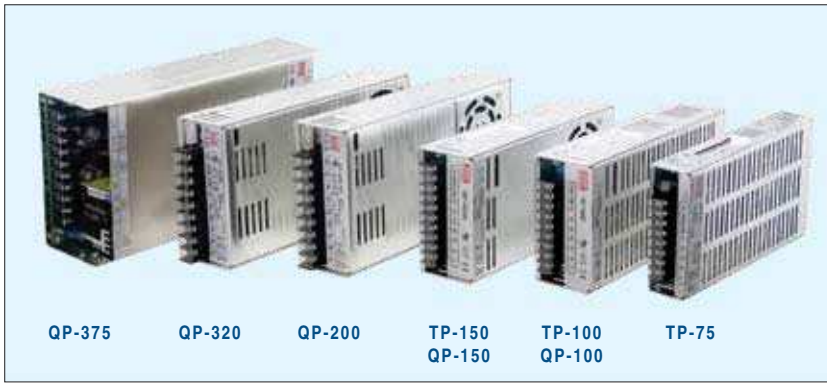
| Model No. | Output | Tol. | R&N | Effi. |
|------------|---------------|------|-------|-------|
| SPV-150-12 | 12V, 0~12.5A | ±1% | 150mV | 82% |
| SPV-150-24 | 24V, 0~6.25A | ±1% | 150mV | 83% |
| SPV-150-48 | 48V, 0~3.125A | ±1% | 240mV | 83% |

◆ SPV-300 Series

| Model No. | Output | Tol. | R&N | Effi. |
|------------|--------------|------|-------|-------|
| SPV-300-12 | 12V, 0~25A | ±1% | 150mV | 83.5% |
| SPV-300-24 | 24V, 0~12.5A | ±1% | 150mV | 85.0% |
| SPV-300-48 | 48V, 0~6.25A | ±1% | 240mV | 86.5% |

◆ SPV-1500 Series

| Model No. | Output | Tol. | R&N | Effi. |
|-------------|-------------|------|-------|-------|
| SPV-1500-12 | 12V, 0~125A | ±1% | 150mV | 86.5% |
| SPV-1500-24 | 24V, 0~63A | ±1% | 150mV | 90.0% |
| SPV-1500-48 | 48V, 0~32A | ±1% | 200mV | 90.0% |



Features

- Universal AC input / Full range
- Protections: Short circuit / Overload / Over voltage / Over temperature
- Over temperature protection (200~375W built-in, option for 100W and 150W)
- Built-in active PFC function
- Cooling by free air convection (75W / 100W)
- Forced air cooling by built-in DC fan (150W / 200W / 320W / 375W)
- 100% full load burn-in test
- 3 years warranty



General Specification (Please refer to www.meanwell.com for detail spec.)

| Model No. | TP-75 | TP-100 QP-100 | TP-150 QP-150 | QP-200 | QP-320 | QP-375 |
|---------------------------|--|---|------------------|---|---|--|
| AC input voltage range | 90~264VAC; 127~370VDC | | | | | 85~264VAC; 120~370VDC |
| AC inrush current (max.) | Cold start, 20A at 230VAC | Cold start, 40A at 230VAC | | Cold start, 30A at 230VAC | Cold start, 45A at 230VAC | |
| DC adjustment range | CH1: -5%~+10% rated output voltage | CH1: -5%~+10% rated output voltage (CH1&2 for QP-100/150-3x, QP-100/150-D/F) | | CH1&2: -5%~+10% rated output voltage | | All outputs: -5%~+10% for QP-375-5, ±10% for QP-375-24 |
| Overload protection | Range | 105%~150% | | | | 105%~135% |
| | Type | Hiccup mode, auto-recovery | | Constant current limiting, auto-recovery | Fold back current limiting, auto-recovery | Hiccup mode, auto-recovery |
| Over voltage protection | CH1: 115%~135% | 115%~135% for CH1 or CH1&2 | | | | CH1: 115%~135% rated output voltage |
| Withstand voltage | I/P - O/P: 3kVAC, I/P - FG: 1.5kVAC, 1 minute | | | | | |
| Working temperature | -10~+60°C (refer to output derating curve) | | | | -10~+70°C | -10~+60°C |
| Setup, rise, hold up time | 800ms, 60ms, 36ms at full load and 230VAC | 800ms, 60ms, 24ms at full load and 230VAC(TP-100/150); 800ms, 50ms, 24ms at full load and 230VAC (QP-100/150) | | 800ms, 50ms, 24ms at full load and 230VAC | 800ms, 50ms, 16ms at full load and 230VAC | 800ms, 50ms, 36ms at full load and 230VAC |
| Safety standards | UL60950-1, TUV EN60950-1 approved | | | | | |
| EMC standards | EN55022 class B, EN61000-3-2,3, EN61000-4-2,3,4,5,6,8,11 | | | | | |
| Connection | 8P/7.62mm pitch terminal block | 9P/7.62mm pitch terminal block with cover | | 9P/9.5mm pitch terminal block with cover | | 3P / 9.5mm pitch terminal block for input; 10P / 9.5mm pitch terminal block for output |
| Dimension (LxWxH)(mm) | 179x 99x 33 | 199x 99x 50 | | 215x 115x 50 | | 280x 127x 63.5 |
| Case No. | 920A | 916A | 916B | 912B | 912I | 927A |

75W — Triple Output

| Model No. | Output | Tol. | R&N | Effi. | Max. |
|-----------|----------------|------|-------|-------|------|
| TP-75A | 5V, 1.5~10A | ±3% | 100mV | 70% | 74W |
| | 12V, 0.2~4.0A | ±4% | 120mV | | |
| TP-75B | -5V, 0.0~0.6A | ±8% | 100mV | 70% | 76W |
| | 5V, 1.5~10A | ±3% | 100mV | | |
| TP-75C | 12V, 0.2~4.0A | ±4% | 120mV | 70% | 75W |
| | -12V, 0.0~0.6A | ±8% | 120mV | | |
| TP-75D | 5V, 1.5~10A | ±3% | 100mV | 70% | 76W |
| | 15V, 0.2~3.0A | ±4% | 120mV | | |
| TP-7503 | -15V, 0.0~0.6A | ±8% | 120mV | | |
| | 5V, 1.5~10A | ±3% | 100mV | 70% | 75W |
| | 3.3V, 0.2~8.0A | ±4% | 50mV | | |
| | 12V, 0.0~0.6A | ±8% | 120mV | | |

100W — Triple Output

| Model No. | Output | Tol. | R&N | Effi. | Max. |
|-----------|---------------|------|-------|-------|------|
| TP-100A | 5V, 3.0~15A | ±3% | 100mV | 75% | 101W |
| | 12V, 0.4~5.0A | ±7% | 120mV | | |
| | -5V, 0.0~1.0A | ±6% | 100mV | | |

| Model No. | Output | Tol. | R&N | Effi. | Max. |
|-----------|----------------|----------|-------|-------|------|
| TP-100B | 5V, 3.0~15A | ±3% | 100mV | 78% | 105W |
| | 12V, 0.4~5.0A | ±6% | 120mV | | |
| | -12V, 0.0~1.0A | ±6% | 100mV | | |
| TP-100C | 5V, 3.0~15A | ±3% | 100mV | 77% | 104W |
| | 15V, 0.4~4.0A | +10%,-6% | 150mV | | |
| TP-100D | -15V, 0.0~1.0A | ±6% | 100mV | 78% | 105W |
| | 5V, 3.0~15A | ±3% | 100mV | | |
| | 24V, 0.4~3.0A | ±8% | 150mV | | |
| | 12V, 0.0~1.0A | ±6% | 100mV | | |

150W — Triple Output

| Model No. | Output | Tol. | R&N | Effi. | Max. |
|-----------|----------------|----------|-------|-------|------|
| TP-150A | 5V, 2.0~20A | ±3% | 100mV | 75% | 150W |
| | 12V, 0.4~7.0A | ±8% | 120mV | | |
| | -5V, 0.0~1.0A | ±6% | 100mV | | |
| TP-150B | 5V, 2.0~20A | ±3% | 100mV | 77% | 148W |
| | 12V, 0.4~7.0A | ±8% | 120mV | | |
| | -12V, 0.0~1.0A | ±6% | 100mV | | |
| TP-150C | 5V, 2.0~20A | ±3% | 100mV | 77% | 152W |
| | 15V, 0.4~6.0A | +10%,-6% | 150mV | | |
| | -15V, 0.0~1.0A | ±6% | 100mV | | |
| TP-150D | 5V, 2.0~20A | ±3% | 100mV | 78% | 154W |
| | 24V, 0.4~4.0A | ±8% | 150mV | | |
| | 12V, 0.0~1.0A | ±6% | 100mV | | |

100W — Quad Output

| Model No. | Output | Tol. | R&N | Effi. | Max. |
|-----------|-----------------|----------|-------|-------|------|
| QP-100B | 5V, 2.0~10A | ±3% | 100mV | 76% | 101W |
| | 12V, 0.3~4.0A | ±6% | 150mV | | |
| | -12V, 0.15~1.0A | +10%,-6% | 150mV | | |
| QP-100C | -5V, 0.0~1.0A | ±5% | 100mV | 77% | 101W |
| | 5V, 2.0~10A | ±3% | 100mV | | |
| | 15V, 0.3~3.0A | +6%,-10% | 150mV | | |
| QP-100D | -15V, 0.15~1.0A | ±8% | 150mV | 78% | 100W |
| | -5V, 0.0~1.0A | ±5% | 100mV | | |
| | 5V, 2.0~10A | ±3% | 120mV | | |
| QP-100F | 12V, 0.0~3.0A | ±3% | 150mV | 78% | 103W |
| | 24V, 0.3~2.0A | ±6% | 200mV | | |
| | -12V, 0.0~1.0A | ±5% | 150mV | | |
| QP-100-3A | 5V, 2.0~10A | ±3% | 120mV | 74% | 99W |
| | 15V, 0.0~3.0A | ±3% | 180mV | | |
| | 24V, 0.3~2.0A | ±6% | 200mV | | |
| QP-100-3B | -15V, 0.0~1.0A | ±5% | 150mV | 74% | 100W |
| | 5V, 2.0~10A | ±3% | 100mV | | |
| | 3.3V, 0.0~10A | ±3% | 100mV | | |
| QP-100-3C | 12V, 0.3~3.0A | ±6% | 150mV | 75% | 101W |
| | -5V, 0.0~1.0A | ±5% | 150mV | | |
| | -12V, 0.0~1.0A | ±5% | 150mV | | |
| QP-100-3D | 5V, 2.0~10A | ±3% | 100mV | 75% | 105W |
| | 15V, 0.3~2.0A | +8%,-6% | 150mV | | |
| | -15V, 0.0~1.0A | ±5% | 150mV | | |
| QP-100-3E | 5V, 2.0~10A | ±3% | 100mV | 74% | 100W |
| | 3.3V, 0.0~10A | ±3% | 100mV | | |
| | 12V, 0.3~3.0A | ±6% | 150mV | | |

150W — Quad Output

| Model No. | Output | Tol. | R&N | Effi. | Max. |
|-----------|----------------|----------|-------|-------|------|
| QP-150B | 5V, 3.0~15A | ±3% | 100mV | 76% | 150W |
| | 12V, 0.4~5.0A | ±6% | 150mV | | |
| | -12V, 0.3~2.0A | +10%,-6% | 150mV | | |
| QP-150C | -5V, 0.0~1.0A | ±5% | 100mV | 77% | 153W |
| | 5V, 3.0~15A | ±3% | 100mV | | |
| | 15V, 0.4~4.0A | +6%,-10% | 150mV | | |
| QP-150D | -15V, 0.3~2.0A | ±8% | 150mV | 78% | 150W |
| | -5V, 0.0~1.0A | ±5% | 100mV | | |
| | 5V, 3.0~15A | ±3% | 120mV | | |
| QP-150F | 12V, 0.0~5.0A | ±3% | 150mV | 78% | 152W |
| | 24V, 0.4~3.0A | ±6% | 200mV | | |
| | -12V, 0.0~1.0A | ±5% | 150mV | | |
| QP-150-3A | 5V, 3.0~15A | ±3% | 100mV | 73% | 146W |
| | 3.3V, 0.0~15A | ±3% | 100mV | | |
| | 12V, 0.4~5.0A | ±6% | 150mV | | |
| QP-150-3B | -5V, 0.0~1.0A | ±5% | 150mV | 75% | 150W |
| | 5V, 3.0~15A | ±3% | 100mV | | |
| | 3.3V, 0.0~15A | ±3% | 100mV | | |
| QP-150-3C | 12V, 0.4~5.0A | ±6% | 150mV | 74% | 152W |
| | -12V, 0.0~1.0A | ±5% | 150mV | | |
| | 5V, 3.0~15A | ±3% | 100mV | | |
| QP-150-3D | 3.3V, 0.0~15A | ±3% | 100mV | 76% | 150W |
| | 15V, 0.4~5.0A | +8%,-6% | 150mV | | |
| | -15V, 0.0~1.0A | ±5% | 150mV | | |

200W — Quad Output

| Model No. | Output | Tol. | R&N | Effi. | Max. |
|-----------|----------------|----------|-------|-------|------|
| QP-200D | 5V, 3.0~20A | ±3% | 100mV | 75% | 203W |
| | 12V, 0.0~7.0A | ±3% | 150mV | | |
| | 24V, 0.4~6.0A | +10%,-6% | 150mV | | |
| QP-200F | -12V, 0.0~1.0A | ±6% | 150mV | 75% | 203W |
| | 5V, 3.0~20A | ±3% | 100mV | | |
| | 15V, 0.0~6.0A | ±3% | 150mV | | |
| QP-200-3A | 24V, 0.4~6.0A | +10%,-6% | 150mV | 72% | 200W |
| | -15V, 0.0~1.0A | ±6% | 150mV | | |
| | 5V, 3.0~20A | ±3% | 100mV | | |
| QP-200-3B | 3.3V, 0.0~20A | ±3% | 100mV | 72% | 205W |
| | 12V, 0.5~8.0A | +8%,-10% | 150mV | | |
| | -5V, 0.0~1.0A | ±6% | 150mV | | |
| QP-200-3C | 5V, 3.0~20A | ±3% | 100mV | 72% | 210W |
| | 3.3V, 0.0~20A | ±3% | 100mV | | |
| | 12V, 0.5~8.0A | +8%,-10% | 150mV | | |
| QP-200-3D | -12V, 0.0~1.0A | ±6% | 150mV | 74% | 204W |
| | 5V, 3.0~20A | ±3% | 100mV | | |
| | 3.3V, 0.0~20A | ±3% | 100mV | | |
| QP-200-3E | 15V, 0.5~7.0A | +10%,-6% | 150mV | 74% | 206W |
| | -15V, 0.0~1.0A | ±6% | 150mV | | |
| | 5V, 3.0~20A | ±3% | 100mV | | |
| QP-200-3F | 3.3V, 0.0~20A | ±3% | 100mV | 74% | 206W |
| | 24V, 0.4~6.0A | +10%,-6% | 150mV | | |
| | -15V, 0.0~1.0A | ±6% | 150mV | | |

320W — Quad Output

| Model No. | Output | Tol. | R&N | Effi. | Max. |
|-----------|----------------|----------|-------|-------|------|
| QP-320D | 5V, 2.5~20A | ±3% | 100mV | 83% | 316W |
| | 12V, 0.0~10A | ±3% | 150mV | | |
| | 24V, 0.2~5.0A | +10%,-6% | 150mV | | |
| QP-320F | -12V, 0.2~2.0A | ±10% | 150mV | 83% | 316W |
| | 5V, 2.5~20A | ±3% | 100mV | | |
| | 15V, 0.0~10A | ±3% | 150mV | | |
| QP-320-3A | 24V, 0.2~5.0A | +10%,-6% | 150mV | 83% | 316W |
| | -15V, 0.2~1.6A | ±10% | 150mV | | |
| | 5V, 2.5~20A | ±3% | 100mV | | |

375W — Quad Output

| Model No. | Output | Tol. | R&N | Effi. | Max. |
|------------|----------------|------|-------|-------|------|
| QP-375-5A | 5V, 3.5~40A | ±1% | 100mV | 77% | 378W |
| | 12V, 0.0~16A | ±1% | 150mV | | |
| | ±12V, 0.0~6.0A | ±1% | 150mV | | |
| QP-375-5B | ±12V, 0.0~3.0A | ±1% | 50mV | 77% | 357W |
| | 5V, 3.5~40A | ±1% | 100mV | | |
| | 12V, 0.0~16A | ±1% | 120mV | | |
| QP-375-5C | ±12V, 0.0~6.0A | ±1% | 120mV | 77% | 378W |
| | ±5V, 0.0~3.0A | ±1% | 50mV | | |
| | 5V, 3.5~40A | ±1% | 100mV | | |
| QP-375-5D | 12V, 0.0~16A | ±1% | 150mV | 78% | 378W |
| | ±15V, 0.0~4.0A | ±1% | 150mV | | |
| | ±15V, 0.0~4.0A | ±1% | 240mV | | |
| QP-375-5E | 5V, 3.5~40A | ±1% | 100mV | 78% | 378W |
| | 12V, 0.0~16A | ±1% | 120mV | | |
| | ±24V, 0.0~4.0A | ±1% | 120mV | | |
| QP-375-24B | ±24V, 0.0~3.0A | ±1% | 240mV | 78% | 386W |
| | 24V, 1.0~10A | ±1% | 240mV | | |
| | 5V, 0.0~16A | ±1% | 50mV | | |
| QP-375-24C | ±12V, 0.0~4.0A | ±1% | 120mV | 80% | 410W |
| | ±12V, 0.0~4.0A | ±1% | 120mV | | |
| | 24V, 1.0~10A | ±1% | 240mV | | |
| QP-375-24D | 5V, 0.0~10A | ±1% | 50mV | 80% | 410W |
| | ±15V, 0.0~4.0A | ±1% | 150mV | | |
| | ±15V, 0.0~4.0A | ±1% | 150mV | | |



■ Features

- Universal AC input / Full range
- Withstand 300VAC surge input for 5 seconds
- Built-in active PFC function
- Protections:
 - Short circuit / Overload / Over voltage /
 - Over temperature (optional for HRP-75 / HRP-100)
- Built-in constant current limiting circuit
- Built-in remote sense function (HRP□-150 / 200)
- No load power consumption < 0.5W (except for HRP-150/200)
- Built-in remote ON/OFF control (except for HRP-150 / 200)
- Built-in 5V / 0.3A standby output (HRPG-150 / 200)
- Cooling by free air convection
- 1U low profile
- LED indicator for power on
- 100% full load burn-in test
- 5 years warranty

■ General Specification (Please refer to www.meanwell.com for detail spec.)



| Model No. | HRP-75 | HRP-100 | HRP□-150 | HRP□-200 |
|--------------------------|--|--|--|----------|
| AC input voltage range | 85~264VAC; 120~370VDC | | | |
| AC inrush current (max.) | Cold start, 65A at 230VAC | | Cold start; 70A at 230VAC | |
| DC adjustment range | -5%~+10% rated output voltage | | ±15% rated output voltage | |
| Overload protection | Range | 105%~135% | | |
| | Type | Constant current limiting, auto-recovery | | |
| Over voltage protection | 115%~145% | | | |
| Withstand voltage | I/P-O/P: 3kVAC, I/P-FG: 1.5kVAC, O/P-FG: 0.5kVAC, 1 minute | | | |
| Working temperature | -40~+70°C (refer to output derating curve) | -40~+60°C | -40~+70°C | |
| Safety standards | UL60950-1, TUV EN60950-1 approved | | | |
| EMC standards | EN55022 class B, EN61000-4-2,3,4,5,6,8,11, EN61000-3-2,3, EN61000-6-2 heavy industry level | | | |
| Connection | 5P/9.5mm pitch terminal block with cover | | 7P/9.5mm pitch terminal block with cover | |
| Dimension (LxWxH)(mm) | 129x98x38 | 159x97x38 | 199x 98x 38 | |
| Case No. | 903D | 9011 | 902E | |

■ 75W HRP-75

| Model No. | Output | Tol. | R&N | Effi. |
|------------|-------------|-------|-------|-------|
| HRP-75-3.3 | 3.3V, 0~15A | ±2.5% | 80mV | 77.0% |
| HRP-75-5 | 5V, 0~15A | ±2.5% | 80mV | 82.5% |
| HRP-75-7.5 | 7.5V, 0~10A | ±2.5% | 100mV | 84.0% |
| HRP-75-12 | 12V, 0~6.3A | ±1.5% | 120mV | 87.0% |
| HRP-75-15 | 15V, 0~5A | ±1.5% | 150mV | 88.0% |
| HRP-75-24 | 24V, 0~3.2A | ±1.5% | 150mV | 88.5% |
| HRP-75-36 | 36V, 0~2.1A | ±1.5% | 200mV | 89.0% |
| HRP-75-48 | 48V, 0~1.6A | ±1.5% | 240mV | 89.0% |

■ 150W HRP□-150

| Model No. | Output | Tol. | R&N | Effi. |
|--------------|-------------|-------|-------|-------|
| HRP□-150-3.3 | 3.3V, 0~30A | ±2.5% | 80mV | 78.5% |
| HRP□-150-5 | 5V, 0~26A | ±2.5% | 80mV | 85.0% |
| HRP□-150-7.5 | 7.5V, 0~20A | ±2.5% | 100mV | 87.0% |
| HRP□-150-12 | 12V, 0~13A | ±1.5% | 120mV | 88.0% |
| HRP□-150-15 | 15V, 0~10A | ±1.5% | 150mV | 88.0% |
| HRP□-150-24 | 24V, 0~6.5A | ±1.5% | 150mV | 88.0% |
| HRP□-150-36 | 36V, 0~4.3A | ±1.5% | 200mV | 89.0% |
| HRP□-150-48 | 48V, 0~3.3A | ±1.5% | 240mV | 89.0% |

□=blank, G; blank: basic function, G: with 5Vsb & no load < 0.5W

■ 100W HRP-100

| Model No. | Output | Tol. | R&N | Effi. |
|-------------|---------------|--------------|-------|-------|
| HRP-100-3.3 | 3.3V, 0~20A | +2.5%, -3.5% | 80mV | 78.0% |
| HRP-100-5 | 5V, 0~17A | ±2.5% | 80mV | 83.0% |
| HRP-100-7.5 | 7.5V, 0~13.5A | ±2.5% | 100mV | 84.0% |
| HRP-100-12 | 12V, 0~8.5A | ±1.5% | 120mV | 87.5% |
| HRP-100-15 | 15V, 0~7A | ±1.5% | 150mV | 88.0% |
| HRP-100-24 | 24V, 0~4.5A | ±1.5% | 150mV | 88.5% |
| HRP-100-36 | 36V, 0~2.9A | ±1.5% | 200mV | 89.0% |
| HRP-100-48 | 48V, 0~2.2A | ±1.5% | 240mV | 90.0% |

■ 200W HRP□-200

| Model No. | Output | Tol. | R&N | Effi. |
|--------------|---------------|------|-------|-------|
| HRP□-200-3.3 | 3.3V, 0~40A | ±2% | 80mV | 80.0% |
| HRP□-200-5 | 5V, 0~35A | ±2% | 90mV | 84.0% |
| HRP□-200-7.5 | 7.5V, 0~26.7A | ±2% | 100mV | 86.0% |
| HRP□-200-12 | 12V, 0~16.7A | ±1% | 120mV | 88.0% |
| HRP□-200-15 | 15V, 0~13.4A | ±1% | 150mV | 88.0% |
| HRP□-200-24 | 24V, 0~8.4A | ±1% | 150mV | 88.0% |
| HRP□-200-36 | 36V, 0~5.7A | ±1% | 250mV | 89.0% |
| HRP□-200-48 | 48V, 0~4.3A | ±1% | 250mV | 89.0% |

□=blank, G; blank: basic function, G: with 5Vsb & no load < 0.5W



Features

- Universal AC input / Full range
- Withstand 300VAC surge input for 5 seconds
- Built-in active PFC function
- Protections: Short circuit / Overload / Over voltage / Over temperature
- Built-in constant current limiting circuit
- Built-in remote sense function
- Built-in DC OK signal
- No load power consumption < 0.5W (HRPG-300 / 450)
- No load power consumption < 0.75W (HRPG-600)
- Built-in remote ON/OFF control & 5V / 0.3A standby output (HRPG series)
- **Built-in current sharing (HRPG-600-24 / 36 / 48)**
- Forced air cooling by built-in DC fan
- 1U low profile (HRP□-300 / 450)
- 100% full load burn-in test
- 5 years warranty

General Specification (Please refer to www.meanwell.com for detail spec.)



| Model No. | HRP□-300 | HRP□-450 | HRP□-600 |
|--------------------------|--|--|--------------|
| AC input voltage range | 85~264VAC; 120~370VDC | | |
| AC inrush current (max.) | Cold start, 70A at 230VAC | | |
| DC adjustment range | ±15% rated output voltage | | |
| Overload Protection | Range | 105%~135% | |
| | Type | Constant current limiting, auto-recovery | |
| Over voltage protection | 115%~145% | | |
| Withstand voltage | I/P - O/P: 3kVAC, I/P - FG: 1.5kVAC, O/P - FG: 0.5kVAC, 1 minute | | |
| Working temperature | -40~+70°C (refer to output derating curve) | | |
| Safety standards | UL60950-1, TUV EN60950-1 approved | | |
| EMC standards | EN55022 class B, EN61000-4-2,3,4,5,6,8,11, EN61000-3-2,3, EN61000-6-2 heavy industry level | | |
| Connection | 7P/11mm pitch terminal block with cover | 3+6P/10&11mm pitch terminal block with cover | |
| Dimension (LxWxH)(mm) | 199x105x41 | 218x105x41 | 218x105x63.5 |
| Case No. | 980A | 995A | 977A |

300W HRP□-300

| Model No. | Output | Tol. | R&N | Effi. |
|--------------|-------------|-------|-------|-------|
| HRP□-300-3.3 | 3.3V, 0~60A | ±2.5% | 80mV | 80.0% |
| HRP□-300-5 | 5V, 0~60A | ±2.0% | 90mV | 82.0% |
| HRP□-300-7.5 | 7.5V, 0~40A | ±2.0% | 100mV | 86.0% |
| HRP□-300-12 | 12V, 0~27A | ±1.0% | 120mV | 88.0% |
| HRP□-300-15 | 15V, 0~22A | ±1.0% | 150mV | 88.0% |
| HRP□-300-24 | 24V, 0~14A | ±1.0% | 150mV | 87.0% |
| HRP□-300-36 | 36V, 0~9A | ±1.0% | 250mV | 88.0% |
| HRP□-300-48 | 48V, 0~7A | ±1.0% | 250mV | 89.0% |

□=blank, G; blank: basic function, G: with 5Vsb & no load <0.5W

600W HRP□-600

| Model No. | Output | Tol. | R&N | Effi. |
|--------------|--------------|------|-------|-------|
| HRP□-600-3.3 | 3.3V, 0~120A | ±2% | 100mV | 78.5% |
| HRP□-600-5 | 5V, 0~120A | ±2% | 100mV | 82.0% |
| HRP□-600-7.5 | 7.5V, 0~80A | ±2% | 100mV | 87.0% |
| HRP□-600-12 | 12V, 0~53A | ±1% | 120mV | 88.0% |
| HRP□-600-15 | 15V, 0~43A | ±1% | 150mV | 88.0% |
| HRP□-600-24 | 24V, 0~27A | ±1% | 150mV | 88.0% |
| HRP□-600-36 | 36V, 0~17.5A | ±1% | 200mV | 89.0% |
| HRP□-600-48 | 48V, 0~13A | ±1% | 240mV | 89.0% |

□=blank, G; blank: basic function, G: with 5Vsb & no load <0.75W

450W HRP□-450

| Model No. | Output | Tol. | R&N | Effi. |
|--------------|--------------|------|-------|-------|
| HRP□-450-3.3 | 3.3V, 0~90A | ±2% | 80mV | 80.0% |
| HRP□-450-5 | 5V, 0~90A | ±2% | 80mV | 83.0% |
| HRP□-450-7.5 | 7.5V, 0~60A | ±2% | 100mV | 86.5% |
| HRP□-450-12 | 12V, 0~37.5A | ±1% | 120mV | 88.0% |
| HRP□-450-15 | 15V, 0~30A | ±1% | 150mV | 89.0% |
| HRP□-450-24 | 24V, 0~18.8A | ±1% | 150mV | 88.0% |
| HRP□-450-36 | 36V, 0~12.5A | ±1% | 240mV | 89.0% |
| HRP□-450-48 | 48V, 0~9.5A | ±1% | 240mV | 89.5% |

□=blank, G; blank: basic function, G: with 5Vsb & no load <0.5W



We are a TQM (Total Quality Management) company and ISO-9001 certified since 1994.



Who can provide you better services and be a trustworthy partner in the power industry?

— "MEAN WELL" tries to be —



Best products also need best service.

We have authorized distributors all over the world. They have sufficient stock for your prompt delivery. Also they can offer you technical support & RMA services. Please contact your local distributors for more product information. You can also contact us at info@meanwell.com for information of your local distributors.



Features

- Universal AC input / Full range
- Medical safety approved (MOOP level)
- Low leakage current $\leq 300\mu\text{A}$ ($\leq 450\mu\text{A}$ for MSP-300)
- Withstand 300VAC surge input for 5 seconds
- Built-in active PFC function
- Protections: Short circuit / Overload / Over voltage / Over temperature
- 1U low profile (MSP-100/200/300/450)
- Built-in constant current limiting circuit
- Built-in remote sense function (MSP-200/300/450/600)
- No load power consumption $< 0.5\text{W}$ ($< 0.6\text{W}$ for MSP-450 ; $< 0.8\text{W}$ for MSP-600)
- **Built-in current sharing (MSP-600-24/36/48)**
- Built-in remote ON/OFF control
- Built-in 5V/0.3A standby output (MSP-200/300/450/600)
- Built-in DC OK signal (MSP-300/450/600)
- LED indicator for power on
- 5 years warranty

General Specification (Please refer to www.meanwell.com for detail spec.)



| Model No. | MSP-100 | MSP-200 | MSP-300 | MSP-450 | MSP-600 | | | | |
|--------------------------|---|-------------|--|--|---------------------------|-------|-----------|------|--|
| AC input voltage range | 85~264VAC; 120~370VDC | | | | | | | | |
| AC inrush current (max.) | Cold start, 65A at 230VAC | | Cold start, 70A at 230VAC | | Cold start, 80A at 230VAC | | | | |
| DC adjustment range | $\pm 15\%$ rated output voltage | | | | | | | | |
| Overload protection | <table border="1"> <tr> <th>Range</th> <td>105%~135%</td> </tr> <tr> <th>Type</th> <td>Constant current limiting, auto-recovery</td> </tr> </table> | | | | | Range | 105%~135% | Type | Constant current limiting, auto-recovery |
| Range | 105%~135% | | | | | | | | |
| Type | Constant current limiting, auto-recovery | | | | | | | | |
| Over voltage protection | 115%~145% | | | | | | | | |
| Withstand voltage | I/P-O/P: 4kVAC, I/P-FG: 2kVAC, O/P-FG: 0.5kVAC, 1 minute | | | | | | | | |
| Working temperature | -40~+60°C | | -40~+70°C (refer to output derating curve) | | | | | | |
| Safety standards | ANSI/AAMI ES60601-1, IEC60601-1 approved | | | | | | | | |
| EMC standards | EN55011 class B, EN61000-4-2,3,4,5,6,8,11, EN61000-3-2,3, EN60601-1-2 | | | | | | | | |
| Connection | 7P / 9.5mm pitch terminal block with cover | | 7P / 11mm pitch terminal block with cover | 3+6P / 10 & 11mm pitch terminal block with cover | | | | | |
| Dimension (LxWxH)(mm) | 159x 97x 38 | 199x 98x 38 | 199x 105x 41 | 218x 105x 41 | 218x 105x 63.5 | | | | |
| Case No. | 901I | 902E | 980A | 995A | 977A | | | | |

100W MSP-100

| Model No. | Output | Tol. | R&N | Effi. |
|-------------|---------------|--------------|-------|-------|
| MSP-100-3.3 | 3.3V, 0~20A | +2.5%, -3.5% | 80mV | 78.0% |
| MSP-100-5 | 5V, 0~17A | +2.5%, -3.5% | 80mV | 83.0% |
| MSP-100-7.5 | 7.5V, 0~13.5A | $\pm 2.5\%$ | 100mV | 84.0% |
| MSP-100-12 | 12V, 0~8.5A | $\pm 1.5\%$ | 120mV | 87.5% |
| MSP-100-15 | 15V, 0~7A | $\pm 1.5\%$ | 150mV | 88.0% |
| MSP-100-24 | 24V, 0~4.5A | $\pm 1.5\%$ | 150mV | 88.5% |
| MSP-100-36 | 36V, 0~2.9A | $\pm 1.5\%$ | 200mV | 89.0% |
| MSP-100-48 | 48V, 0~2.2A | $\pm 1.5\%$ | 240mV | 90.0% |

450W MSP-450

| Model No. | Output | Tol. | R&N | Effi. |
|------------|------------|-----------|-------|-------|
| MSP-300-15 | 15V, 0~22A | $\pm 1\%$ | 150mV | 88.0% |
| MSP-300-24 | 24V, 0~14A | $\pm 1\%$ | 150mV | 87.0% |
| MSP-300-36 | 36V, 0~9A | $\pm 1\%$ | 250mV | 88.0% |
| MSP-300-48 | 48V, 0~7A | $\pm 1\%$ | 250mV | 89.0% |

200W MSP-200

| Model No. | Output | Tol. | R&N | Effi. |
|-------------|---------------|-----------|-------|-------|
| MSP-200-3.3 | 3.3V, 0~40A | $\pm 2\%$ | 80mV | 80.0% |
| MSP-200-5 | 5V, 0~35A | $\pm 2\%$ | 90mV | 84.0% |
| MSP-200-7.5 | 7.5V, 0~26.7A | $\pm 2\%$ | 100mV | 86.0% |
| MSP-200-12 | 12V, 0~16.7A | $\pm 1\%$ | 120mV | 88.0% |
| MSP-200-15 | 15V, 0~13.4A | $\pm 1\%$ | 150mV | 88.0% |
| MSP-200-24 | 24V, 0~8.4A | $\pm 1\%$ | 150mV | 88.0% |
| MSP-200-36 | 36V, 0~5.7A | $\pm 1\%$ | 250mV | 89.0% |
| MSP-200-48 | 48V, 0~4.3A | $\pm 1\%$ | 250mV | 89.0% |

600W MSP-600

| Model No. | Output | Tol. | R&N | Effi. |
|-------------|--------------|-----------|-------|-------|
| MSP-450-3.3 | 3.3V, 0~90A | $\pm 2\%$ | 80mV | 80.0% |
| MSP-450-5 | 5V, 0~90A | $\pm 2\%$ | 80mV | 83.0% |
| MSP-450-7.5 | 7.5V, 0~60A | $\pm 2\%$ | 100mV | 86.5% |
| MSP-450-12 | 12V, 0~37.5A | $\pm 1\%$ | 120mV | 88.0% |
| MSP-450-15 | 15V, 0~30A | $\pm 1\%$ | 150mV | 89.0% |
| MSP-450-24 | 24V, 0~18.8A | $\pm 1\%$ | 150mV | 88.0% |
| MSP-450-36 | 36V, 0~12.5A | $\pm 1\%$ | 240mV | 89.0% |
| MSP-450-48 | 48V, 0~9.5A | $\pm 1\%$ | 240mV | 89.5% |

300W MSP-300

| Model No. | Output | Tol. | R&N | Effi. |
|-------------|-------------|-------------|-------|-------|
| MSP-300-3.3 | 3.3V, 0~60A | $\pm 2.5\%$ | 80mV | 80.0% |
| MSP-300-5 | 5V, 0~60A | $\pm 2\%$ | 90mV | 82.0% |
| MSP-300-7.5 | 7.5V, 0~40A | $\pm 2\%$ | 100mV | 86.0% |
| MSP-300-12 | 12V, 0~27A | $\pm 1\%$ | 120mV | 88.0% |

NEW 600W MSP-600

| Model No. | Output | Tol. | R&N | Effi. |
|-------------|--------------|-----------|-------|-------|
| MSP-600-3.3 | 3.3V, 0~120A | $\pm 2\%$ | 100mV | 78.5% |
| MSP-600-5 | 5V, 0~120A | $\pm 2\%$ | 100mV | 82.0% |
| MSP-600-7.5 | 7.5V, 0~80A | $\pm 2\%$ | 100mV | 86.0% |
| MSP-600-12 | 12V, 0~53A | $\pm 1\%$ | 120mV | 88.0% |
| MSP-600-15 | 15V, 0~43A | $\pm 1\%$ | 150mV | 88.0% |
| MSP-600-24 | 24V, 0~27A | $\pm 1\%$ | 150mV | 88.0% |
| MSP-600-36 | 36V, 0~17.5A | $\pm 1\%$ | 200mV | 89.0% |
| MSP-600-48 | 48V, 0~13A | $\pm 1\%$ | 240mV | 89.0% |



■ Features

- Universal AC input / Full range
- Built-in active PFC
- Protections: Short circuit / Overload / Over voltage / Over temperature
- Output wattage:
 - USP-150: 150W convection
 - USP-225: 150W convection, 225W with 18CFM forced air
 - USP-350: 300W convection, 350W with 23.5CFM forced air
 - USP-500: 400W convection, 500W with 23.5CFM forced air
- High power density: 5.5W/in³ (USP-150); 4.7W/in³ (USP-225); 6.32W/in³ (USP-350); 6.2W/in³ (USP-500)
- U-bracket low profile: 33mm(USP-150); 38mm(USP-225/300); 41mm(USP-500)
- Built-in remote ON/OFF control, remote sense, DC OK signal (USP-500)
- **Optional current sharing(1+1) for USP-500-24/48**
- 3 years warranty

■ General Specification (Please refer to www.meanwell.com for detail spec.)

| Model No. | USP-150 | USP-225 | USP-350 | USP-500 |
|--------------------------|--|------------------------------------|--|--|
| AC input voltage range | 90~295VAC; 127~417VDC | | 90~264VAC; 127~370VDC | |
| AC inrush current (max.) | Cold start, 65A at 230VAC | 15A at 115VAC, 35A at 230VAC | 22A at 115VAC, 44A at 230VAC | 30A at 115VAC, 50A at 230VAC |
| DC adjustment range | ±10% rated output voltage | | | |
| Overload protection | Range | 110%~160% | 105%~150% | 105%~130% |
| | Type | Hiccup mode, auto-recovery | Constant current limiting, auto-recovery | |
| Over voltage protection | Range | 110%~135% | 110%~135% | 110%~140% |
| | Type | Shut off, AC recycle to re-start | | Hiccup mode, auto-recovery |
| Withstand voltage | I/P - O/P: 3kVAC, I/P - FG: 1.5kVAC, O/P - FG: 0.5kVAC, 1 minute | | | |
| Working temperature | -30~+65°C | -20~+65°C | -10~+65°C | -20~+70°C |
| Vibration | 10~500Hz, 2G 10min./1cycle, 60min. each along X, Y, Z axes | | | |
| Safety standards | UL60950-1, TUV EN60950-1(except for USP-150) approved | | | |
| EMC standards | EN55022 class B, EN61000-3-2,3, EN61000-4-2,3,4,5,6,8,11 | | | |
| Connection | JST: SVH-21T-P1.1, 4P/7.62mm pitch terminal block | 20P/2.54mm pitch, Molex 39-29-9206 | 5+9Px2/3.96mm pitch, JST: B5P/B9Px2-VH | 3+8P/8.5mm pitch terminal block with cover |
| Dimension (LxWxH)(mm) | 215x 67.4x 33 | 202x 101.5x 38 | 235.2x 101.5x 38 | 254x 127x 41 |

■ USP-150 Series



| Model No. | Output | Tol. | R&N | Effi. |
|------------|--------------|------|-------|-------|
| USP-150-12 | 12V, 0~12.5A | ±2% | 100mV | 91.5% |
| USP-150-15 | 15V, 0~10.0A | ±2% | 150mV | 91.5% |
| USP-150-24 | 24V, 0~6.30A | ±2% | 150mV | 93.0% |
| USP-150-36 | 36V, 0~4.20A | ±2% | 250mV | 93.0% |
| USP-150-48 | 48V, 0~3.20A | ±2% | 250mV | 93.0% |

■ USP-350 Series



| Model No. | Output | Tol. | R&N | Effi. |
|-------------|---------------|------|-------|-------|
| USP-350-3.3 | 3.3V, 0~70.0A | ±2% | 80mV | 78% |
| USP-350-5 | 5V, 0~70.0A | ±2% | 80mV | 84% |
| USP-350-12 | 12V, 0~29.2A | ±2% | 100mV | 88% |
| USP-350-15 | 15V, 0~23.4A | ±2% | 100mV | 88% |
| USP-350-24 | 24V, 0~14.6A | ±2% | 150mV | 88% |
| USP-350-48 | 48V, 0~7.30A | ±2% | 150mV | 89% |

■ USP-225 Series



| Model No. | Output | Tol. | R&N | Effi. |
|-------------|---------------|------|-------|-------|
| USP-225-3.3 | 3.3V, 0~40.0A | ±2% | 100mV | 72% |
| USP-225-5 | 5V, 0~40.0A | ±2% | 100mV | 77% |
| USP-225-12 | 12V, 0~18.7A | ±2% | 100mV | 83% |
| USP-225-15 | 15V, 0~15.0A | ±2% | 100mV | 84% |
| USP-225-24 | 24V, 0~9.40A | ±2% | 150mV | 85% |
| USP-225-48 | 48V, 0~4.70A | ±2% | 250mV | 86% |

■ USP-500 Series



| Model No. | Output | Tol. | R&N | Effi. |
|------------|--------------|------|-------|-------|
| USP-500-5 | 5V, 0~80.0A | ±2% | 80mV | 85% |
| USP-500-12 | 12V, 0~42.0A | ±2% | 100mV | 90% |
| USP-500-15 | 15V, 0~33.5A | ±2% | 100mV | 90% |
| USP-500-24 | 24V, 0~21.0A | ±2% | 150mV | 89% |
| USP-500-48 | 48V, 0~10.5A | ±2% | 150mV | 90% |



MP450 (450W, 5 SLOT)

MP650 (650W, 5 SLOT)

MP1K0 (1000W, 7 SLOT)



MS-75



MS-150



MS-210



MS-300



MS-360



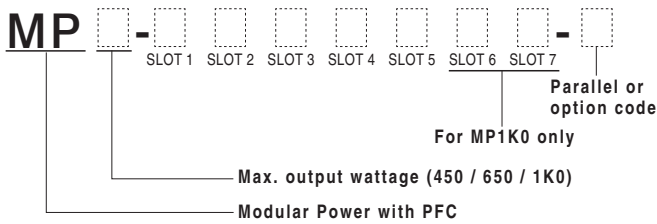
MD-100

Description

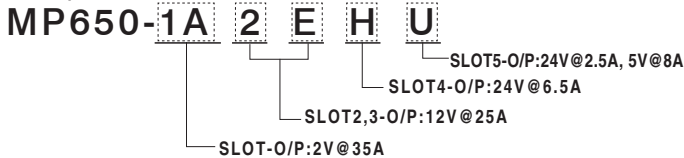
Modular series are switching power supplies with modular design that consist of two stages: front-end PFC and output modules. Using ZVS (Zero Voltage Switching) technology to realize the power factor correction, the line input is rectified into high DC voltage (around 390VDC) by the front-end PFC stage, and then the DC output modules will transfer the operating voltage into all kinds of DC output voltages from 1.6V~53V. Right now we offer 75W, 150W, 210W, 300W, 360W single output modules and 100W dual output modules to fulfill all kinds of applications up to 14 isolated outputs.

There are millions of combinations available for the Modular series. Users can configure the DC outputs they need and get the fastest solution for their own power requirement with safety and EMC certificates. No more NRE / safety application charges and long period of waiting for certificates! Providing standard products as usual, MEAN WELL offer you a revolutionary standard power solution that fulfills your custom-made request!

Output Configuration Guide



Example:



Features

- Millions of output configuration is available
- ZVS technology to reduce power dissipation and improve efficiency
- Universal AC input / Full range
- Built-in active PFC compliance to EN61000-3-2
- Built-in constant current limiting circuit for single output modules
- Remote control on each output module
- Remote sense on each single output module (MS-75 / 150 / 210 / 300 / 360)
- Short circuit / Overload / Over voltage protections for all modules
- Parallel function for MS-210 (up to 5 units), MS-300/360 (up to 3 units)
- Margining control function (MS-210 / 360)
- Cooling by built-in DC fan with fan alarm function
- Additional 12V/0.1A auxiliary output for remote control
- 3 years warranty

General Specification (Please refer to www.meanwell.com for detail spec.)



| Model No. | MP450 | MP650 | MP1K0 |
|-----------------------------|--|---------------------------|---------------------------|
| AC input voltage range | 85~264VAC or 120~370VDC | | |
| Power Factor | PF >0.95 / 230VAC, PF > 0.98 / 115VAC at full load | | |
| AC inrush current (max.) | Cold start, 40A at 230VAC | Cold start, 50A at 230VAC | Cold start, 40A at 230VAC |
| Max output voltage | 450W | 650W | 1000W |
| Efficiency (typical) | 82.5% | 84% | 84% |
| Over temperature protection | Output shutdown, auto-recovery | | |
| Fan alarm | Output shutdown when fan malfunction | | |
| Withstand voltage | I/P-O/P: 3kVAC, I/P-FG: 1.5kVAC, O/P-FG: 0.5kVAC, 1 minute | | |
| Working temperature | -20~+50°C@100%, +70°C @ 50% load | | |
| Safety standards | UL60950-1, TUV EN60950-1 approved | | |
| EMC standards | EN55022 class B, EN61000-3-2,3, EN61000-4-2,3,4,5,6,8,11, EN55024 light industry level, criteria A | | |
| Connection | Input side: 3P/10mm pitch terminal block & JST B3B-XH | | |
| Dimension (LxWxH)(mm) | 254x 127x 63.5 | 278x 127x 63.5 | 278x 177.8x 63.5 |

MS-75: 1-SLOT single output (75W max.)

| Item Code | Output | ★Peak I | Vdc adj. | Tol. | R&N. |
|-----------|-------------|---------|------------|------|-------|
| L | 3.3V, 0~15A | 17.3A | 2.6~4.0V | ±2% | 80mV |
| M | 5V, 0~15A | 17.3A | 4.0~6.0V | ±2% | 80mV |
| N | 12V, 0~6.3A | 7.30A | 9.0~13.2V | ±1% | 150mV |
| O | 15V, 0~5.0A | 5.80A | 13.2~16.8V | ±1% | 150mV |
| P | 24V, 0~3.2A | 3.70A | 20.0~26.4V | ±1% | 150mV |
| Q | 48V, 0~1.6A | 1.80A | 40.0~53.0V | ±1% | 250mV |

MS-150: 1-SLOT single output (150W max.)

| Item Code | Output | ★Peak I | Vdc adj. | Tol. | R&N. |
|-----------|-------------|---------|------------|------|-------|
| A | 2V, 0~25A | 30.0A | 1.6~2.6V | ±3% | 50mV |
| B | 3.3V, 0~25A | 30.0A | 2.6~4.0V | ±2% | 80mV |
| C | 5V, 0~25A | 30.0A | 4.0~6.0V | ±2% | 80mV |
| D | 7.5V, 0~18A | 20.7A | 6.0~9.0V | ±2% | 100mV |
| E | 12V, 0~13A | 15.0A | 9.0~13.2V | ±1% | 150mV |
| F | 15V, 0~10A | 11.5A | 13.2~16.8V | ±1% | 150mV |
| G | 18V, 0~8.5A | 9.80A | 16.8~20.0V | ±1% | 150mV |
| H | 24V, 0~6.5A | 7.50A | 20.0~26.4V | ±1% | 150mV |
| I | 27V, 0~5.8A | 6.70A | 25.0~31.0V | ±1% | 150mV |
| J | 33V, 0~4.7A | 5.40A | 30.0~40.0V | ±1% | 250mV |
| K | 48V, 0~3.2A | 3.68A | 40.0~53.0V | ±1% | 250mV |

MS-210: 1-SLOT parallelable single output (210W max.) NEW

| Item Code | Output | ★Peak I | Vdc adj. | Tol. | R&N. |
|-----------|--------------|---------|------------|------|-------|
| 1A | 2V, 0~35A | 42.0A | 1.6~2.6V | ±3% | 50mV |
| 1B | 3.3V, 0~35A | 42.0A | 2.6~4.0V | ±2% | 80mV |
| 1C | 5V, 0~35A | 42.0A | 4.0~6.0V | ±2% | 80mV |
| 1D | 7.5V, 0~28A | 32.2A | 6.0~9.0V | ±2% | 100mV |
| 1E | 12V, 0~17.5A | 20.1A | 9.0~13.2V | ±1% | 150mV |
| 1F | 15V, 0~14A | 16.1A | 13.2~16.8V | ±1% | 150mV |
| 1G | 18V, 0~11.6A | 13.4A | 16.8~20.0V | ±1% | 150mV |
| 1H | 24V, 0~8.75A | 10.1A | 20.0~26.4V | ±1% | 150mV |
| 1I | 27V, 0~7.8A | 9.00A | 25.0~31.0V | ±1% | 150mV |
| 1J | 33V, 0~6.4A | 7.40A | 30.0~40.0V | ±1% | 250mV |
| 1K | 48V, 0~4.4A | 5.10A | 40.0~53.0V | ±1% | 250mV |

MS-300: 2-SLOT parallelable single output (300W max.)

| Item Code | Output | ★Peak I | Vdc adj. | Tol. | R&N. |
|-----------|--------------|---------|------------|------|-------|
| 2A | 2V, 0~50A | 57.5A | 1.6~2.6V | ±3% | 80mV |
| 2B | 3.3V, 0~50A | 57.5A | 2.6~4.0V | ±2% | 80mV |
| 2C | 5V, 0~50A | 57.5A | 4.0~6.0V | ±2% | 80mV |
| 2D | 7.5V, 0~40A | 46.0A | 6.0~9.0V | ±2% | 100mV |
| 2E | 12V, 0~25A | 29.0A | 9.0~13.2V | ±1% | 150mV |
| 2F | 15V, 0~20A | 23.0A | 13.2~16.8V | ±1% | 150mV |
| 2G | 18V, 0~16.7A | 19.2A | 16.8~20.0V | ±1% | 150mV |
| 2H | 24V, 0~12.5A | 14.4A | 20.0~26.4V | ±1% | 150mV |
| 2I | 27V, 0~11.2A | 12.9A | 25.0~31.0V | ±1% | 200mV |
| 2J | 33V, 0~9.1A | 10.5A | 30.0~40.0V | ±1% | 250mV |
| 2K | 48V, 0~6.3A | 7.2A | 40.0~53.0V | ±1% | 300mV |

MS-360: 2-SLOT parallelable single output (360W max.) NEW

| Item Code | Output | ★Peak I | Vdc adj. | Tol. | R&N. |
|-----------|--------------|---------|------------|------|-------|
| 3A | 2V, 0~60A | 69.0A | 1.6~2.6V | ±3% | 80mV |
| 3B | 3.3V, 0~60A | 69.0A | 2.6~4.0V | ±2% | 100mV |
| 3C | 5V, 0~60A | 69.0A | 4.0~6.0V | ±2% | 100mV |
| 3D | 7.5V, 0~48A | 55.2A | 6.0~9.0V | ±2% | 100mV |
| 3E | 12V, 0~30A | 34.5A | 9.0~13.2V | ±1% | 150mV |
| 3F | 15V, 0~24A | 27.6A | 13.2~16.8V | ±1% | 150mV |
| 3G | 18V, 0~20A | 23.0A | 16.8~20.0V | ±1% | 150mV |
| 3H | 24V, 0~15A | 17.3A | 20.0~26.4V | ±1% | 150mV |
| 3I | 27V, 0~13.4A | 15.5A | 25.0~31.0V | ±1% | 200mV |
| 3J | 33V, 0~11A | 12.7A | 30.0~40.0V | ±1% | 250mV |
| 3K | 48V, 0~7.5A | 8.7A | 40.0~53.0V | ±1% | 300mV |

MD-100: 1-SLOT isolated dual output (100W max.)

| Item Code | Output | Vdc adj. | Tol. | R&N. | Max. |
|-----------|---------------|------------|------|-------|--------|
| R | 5V, 2.0~10A | 4.75~5.5V | ±3% | 100mV | 90.0W |
| | 5V, 0.0~8.0A | 4.75~5.5V | ±3% | 100mV | |
| S | 5V, 2.0~10A | 4.75~5.5V | ±3% | 100mV | 100.4W |
| | 12V, 0.0~5.8A | 11.4~13.2V | ±3% | 150mV | |
| T | 5V, 2.0~10A | 4.75~5.5V | ±3% | 100mV | 101.0W |
| | 15V, 0.0~4.7A | 14.2~16.5V | ±3% | 150mV | |
| U | 24V, 0.5~3.0A | 22.8~26.4V | ±3% | 200mV | 100.0W |
| | 5V, 0.0~10A | 4.75~5.5V | ±3% | 100mV | |
| V | 24V, 0.6~3.0A | 22.8~26.4V | ±2% | 240mV | 100.8W |
| | 12V, 0.0~4.7A | 11.4~13.2V | ±3% | 120mV | |
| W | 12V, 1.0~5.0A | 11.4~13.2V | ±2% | 120mV | 100.8W |
| | 12V, 0.0~5.8A | 11.4~13.2V | ±3% | 120mV | |
| X | 15V, 1.0~4.7A | 14.2~16.5V | ±2% | 150mV | 100.5W |
| | 15V, 0.0~4.7A | 14.2~16.5V | ±3% | 150mV | |

Parallel Connection Accessory

| | |
|----------------------------------|--|
| FAP-001 (For MS-300, 2 units) | |
| FAP-002 (For MS-300, 3 units) | |
| FAP-003 (For MS-210, 2 units) | |
| FAP-004 (For MS-210, 3 units) | |
| FAP-005 (For MS-210, 4 units) | |
| FAP-006 (For MS-210, 5 units) | |
| FAP-007 (For MS-360, 2 units) | |
| FAP-008 (For MS-360, 3 units) | |

Series Connection Accessory

| | |
|---|--|
| FAS-001 (For 1-slot modules: MS-75/150, MD-100) | |
| FAS-002 (For 2-slot modules: MS-300) | |
| FAS-003 (For 1-slot modules: MS-210) | |
| FAS-004 (For 2-slot modules: MS-360) | |

★Peak I: 35% duty cycle maximum within every 10 seconds. Average output power should not exceed the rated power.

★Please use MP450-CNPOQ, MP650-1A2EHU, MP1K0-2C2CEKL-1.....etc. as the order code. For more detail information about technical issues, please refer to the user manual.

★Please refer to the user manual for more detail information about parallel connection and the parallel codes. About series connection, please contact us or your local MEAN WELL distributor for more details.



| | INPUT | OUTPUT |
|---|-------|--------|
| Standard | | |
| Optional (Contact MW for details) | | |



Features

- IP67 / IP65 design for indoor or outdoor installations
- Universal AC input 90~305VAC
- Built-in active PFC function
- High efficiency up to 90.5%
- Fanless design, cooling by free air convection
- -40~+70°C wide operating range
- Withstand 5G vibration test
- Meet 4kV surge immunity level (IEC61000-4-5)
- Built-in constant current limiting circuit
- Aluminum case and filling with heat-conducted glue
- Protections: Short circuit / Over current / Over voltage / Over temperature
- Multiple models for choice:
 - A-Type:** IP65 rated. Vo and Io can be adjusted through internal potentiometer
 - B-Type:** IP67 rated and built-in 3 in 1 dimming function (1~10VDC, PWM signal, or resistance)
 - Blank-Type:** IP67 rated. Cable for I/O connection
- Optional CQC models available (HLG-40H/60H-A/Blank Type)
- Suitable for general industrial applications at high/low temperature, high dust, high moisture, high vibration, or outdoor environment
- 5 years warranty

General Specification (Please refer to www.meanwell.com for detail spec.)

| Model No. | HLG-40H | HLG-60H |
|---------------------------|--|---|
| AC input voltage range | 90~305VAC; 127~431VDC | |
| AC inrush current (max.) | Cold start, 50A at 230VAC | Cold start, 55A at 230VAC |
| DC adjustment range | ±10% rated output voltage (A-Type only) | |
| Current adjustment range | 60%~100% rated output current adjustable by internal potentiometer (A-Type only) | |
| Over current protection | 95%~108% constant current limiting, auto-recovery | |
| Over voltage protection | 109%~145% rated output voltage, shut off, re-power on to recover | |
| Setup, rise, hold up time | 500ms, 80ms, 16ms at full load and 230VAC | |
| Withstand voltage | I/P-O/P: 3.75kVAC, I/P-FG: 2kVAC, O/P-FG: 1.5kVAC | |
| Working temperature | -40~+70°C (refer to output derating curve) | |
| Safety standards | UL8750, TUV EN61347-1, EN61347-2-13, PSE J61347-1, J61347-2-13 approved | |
| EMC standards | EN55015, EN61000-3-2 class C, EN61000-3-3, EN61000-4-2,3,4,5,6,8,11, EN61547 | |
| Connection | Input | UL rated, SJTW 18AWGx3C (30cm) |
| | Output | A/Blank-Type: SVT 18AWGx2C (30cm); B-Type: SVT 18AWGx2C (30cm)+UL2517 18AWGx2C (30cm) |
| Dimension (LxWxH)(mm) | 171x 61.5x 36.8 | |

HLG-40H Series



| Model No. | Output | Tol. | R&N | Effi. |
|---------------|--------------|-------|-------|-------|
| HLG-40H-12(A) | 12V, 0~3.33A | ±2.5% | 150mV | 86.5% |
| HLG-40H-15(A) | 15V, 0~2.67A | ±2.0% | 150mV | 86.5% |
| HLG-40H-20(A) | 20V, 0~2.00A | ±1.0% | 150mV | 88.0% |
| HLG-40H-24(A) | 24V, 0~1.67A | ±1.0% | 200mV | 88.0% |
| HLG-40H-30(A) | 30V, 0~1.34A | ±1.0% | 200mV | 88.5% |
| HLG-40H-36(A) | 36V, 0~1.12A | ±1.0% | 200mV | 88.5% |
| HLG-40H-42(A) | 42V, 0~0.96A | ±1.0% | 200mV | 88.5% |
| HLG-40H-48(A) | 48V, 0~0.84A | ±1.0% | 300mV | 89.5% |
| HLG-40H-54(A) | 54V, 0~0.75A | ±1.0% | 300mV | 89.5% |

○ = A, B or Blank

HLG-60H Series



| Model No. | Output | Tol. | R&N | Effi. |
|---------------|--------------|-------|-------|-------|
| HLG-60H-15(A) | 15V, 0~4.00A | ±2.0% | 150mV | 87.5% |
| HLG-60H-20(A) | 20V, 0~3.00A | ±1.0% | 150mV | 89.0% |
| HLG-60H-24(A) | 24V, 0~2.50A | ±1.0% | 150mV | 89.5% |

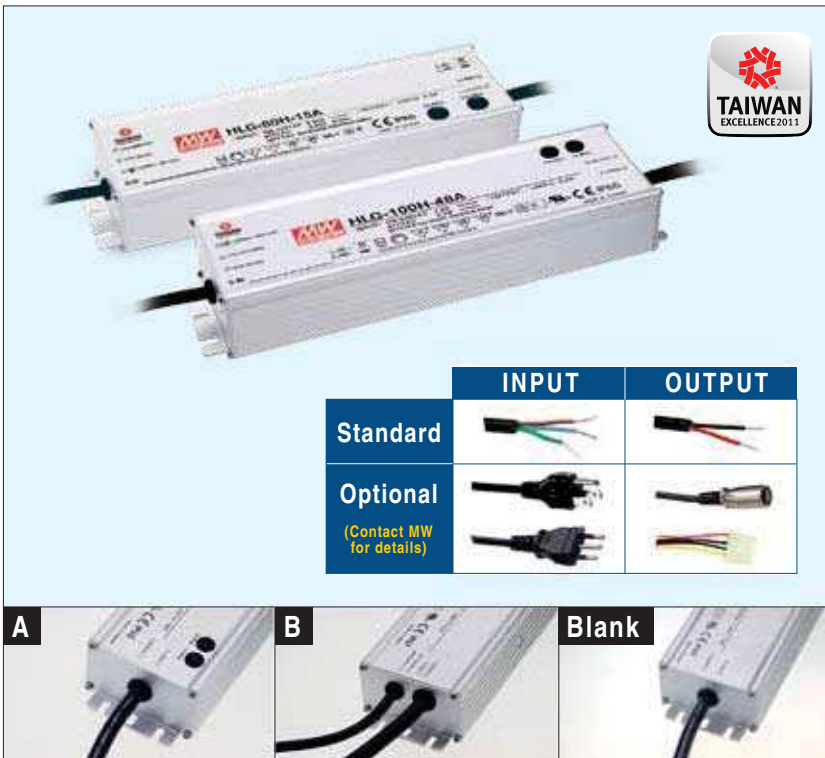
| Model No. | Output | Tol. | R&N | Effi. |
|---------------|--------------|-------|-------|-------|
| HLG-60H-30(A) | 30V, 0~2.00A | ±1.0% | 200mV | 90.0% |
| HLG-60H-36(A) | 36V, 0~1.70A | ±1.0% | 200mV | 90.0% |
| HLG-60H-42(A) | 42V, 0~1.45A | ±1.0% | 300mV | 90.0% |
| HLG-60H-48(A) | 48V, 0~1.30A | ±1.0% | 300mV | 90.5% |
| HLG-60H-54(A) | 54V, 0~1.15A | ±1.0% | 300mV | 90.5% |

○ = A, B or Blank

Junction Box for HLG Series



- Optional junction box available for HLG-80H~320H series (A/B/Blank-Type only). Please contact MEAN WELL for details.
- "UL8750 listed" safety & IP66 approved for HLG-80H-□BL (modified from B-Type only)



Features

- IP67 / IP65 design for indoor or outdoor installations
- Universal AC input 90~305VAC
- Built-in active PFC function
- High efficiency up to 93.5%
- Fanless design, cooling by free air convection
- -40~+70°C wide operating range
- Withstand 5G vibration test
- Meet 4kV surge immunity level (IEC61000-4-5)
- Built-in constant current limiting circuit
- Aluminum case and filling with heat-conducted glue
- Protections: Short circuit / Over current / Over voltage / Over temperature
- Multiple models for choice:
 - A-Type:** IP65 rated. Vo and Io can be adjusted through internal potentiometer
 - B-Type:** IP67 rated and built-in 3 in 1 dimming function (1~10VDC, PWM signal, or resistance)
 - Blank-Type:** IP67 rated. Cable for I/O connection
- Optional CQC models available (HLG-80H/100H/120H-A/Blank Type)
- Suitable for general industrial applications at high/low temperature, high dust, high moisture, high vibration, or outdoor environment
- 5 years warranty



General Specification (Please refer to www.meanwell.com for detail spec.)

| Model No. | HLG-80H | HLG-100H | HLG-120H |
|---------------------------|--|--|--|
| AC input voltage range | 90~305VAC; 127~431VDC | | |
| AC inrush current (max.) | Cold start, 70A at 230VAC | | Cold start, 60A at 230VAC |
| DC adjustment range | ±10% rated output voltage (A-Type only) | | |
| Current adjustment range | 60%~100% rated output current adjustable by internal potentiometer (A-Type only) | | |
| Over current protection | 95%~108% constant current limiting, auto-recovery | | |
| Over voltage protection | 110%~140% rated output voltage | | |
| Setup, rise, hold up time | 500ms, 80ms, 16ms at full load and 230VAC | 500ms, 50ms, 16ms | 500ms, 50ms, 12ms |
| Withstand voltage | I/P-O/P: 3.75kVAC, I/P-FG: 2kVAC, O/P-FG:1.5kVAC | | |
| Working temperature | -40~+70°C (refer to output derating curve) | | |
| Safety standards | UL8750, TUV EN61347-1, EN61347-2-13, PSE J61347-1, J61347-2-13 approved; UL8750 listed for HLG-80H-□BL only | | |
| EMC standards | EN55015, EN55022 class B (except for HLG-80H), EN61000-3-2 class C, EN61000-3-3, EN61000-4-2,3,4,5,6,8,11, EN61547 | | |
| Connection | Input | UL rated, SJTW 18AWGx3C (30cm) | |
| | Output | A/Blank-Type: SVT 18AWGx2C (30cm); B-Type: SVT 18AWGx2C (30cm)+UL2517 18AWGx2C (30cm) | A/Blank-Type: SJTW 14AWGx2C (30cm) ; B-Type: SJTW 14AWGx2C (30cm)+SJTW 18AWGx2C(30cm) |
| Dimension (LxWxH)(mm) | 195.6x 61.5x 38.8 | | 220x 68x 38.8 |

HLG-80H Series

| Model No. | Output | Tol. | R&N | Effi. |
|---------------|--------------|-------|-------|-------|
| HLG-80H-12(A) | 12V, 0~5.0A | ±2.5% | 150mV | 88.0% |
| HLG-80H-15(A) | 15V, 0~5.0A | ±2.0% | 150mV | 89.0% |
| HLG-80H-20(A) | 20V, 0~4.0A | ±1.0% | 150mV | 90.0% |
| HLG-80H-24(A) | 24V, 0~3.4A | ±1.0% | 150mV | 90.5% |
| HLG-80H-30(A) | 30V, 0~2.7A | ±1.0% | 200mV | 91.0% |
| HLG-80H-36(A) | 36V, 0~2.3A | ±1.0% | 200mV | 91.0% |
| HLG-80H-42(A) | 42V, 0~1.95A | ±1.0% | 200mV | 91.0% |
| HLG-80H-48(A) | 48V, 0~1.7A | ±1.0% | 200mV | 91.0% |
| HLG-80H-54(A) | 54V, 0~1.5A | ±1.0% | 200mV | 91.0% |

○ = A, B, BL or Blank

HLG-100H Series

| Model No. | Output | Tol. | R&N | Effi. |
|----------------|--------------|-------|-------|-------|
| HLG-100H-20(A) | 20V, 0~4.8A | ±1.0% | 150mV | 93% |
| HLG-100H-24(A) | 24V, 0~4.0A | ±1.0% | 150mV | 93% |
| HLG-100H-30(A) | 30V, 0~3.2A | ±1.0% | 200mV | 93% |
| HLG-100H-36(A) | 36V, 0~2.65A | ±1.0% | 200mV | 93% |

| Model No. | Output | Tol. | R&N | Effi. |
|----------------|--------------|-------|-------|-------|
| HLG-100H-42(A) | 42V, 0~2.28A | ±1.0% | 200mV | 93% |
| HLG-100H-48(A) | 48V, 0~2.0A | ±1.0% | 200mV | 93% |
| HLG-100H-54(A) | 54V, 0~1.77A | ±1.0% | 200mV | 93% |

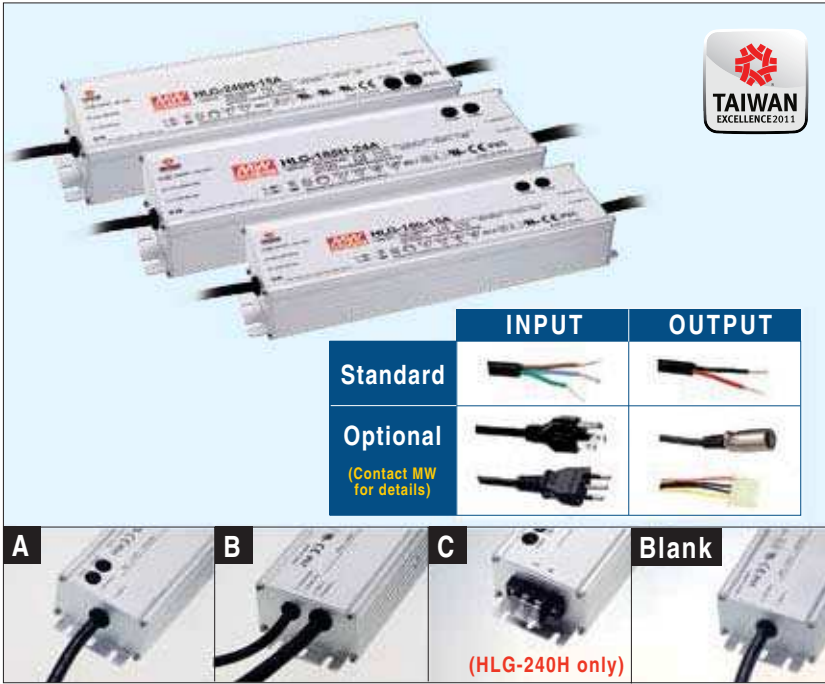
○ = A, B or Blank

HLG-120H Series

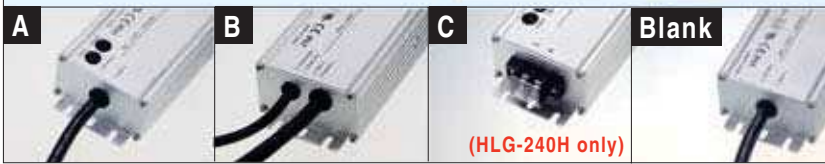
| Model No. | Output | Tol. | R&N | Effi. |
|------------------|-------------|-------|-------|-------|
| ★ HLG-120H-12(A) | 12V, 0~10A | ±2.5% | 150mV | 92.0% |
| HLG-120H-15(A) | 15V, 0~8.0A | ±2.0% | 150mV | 92.0% |
| HLG-120H-20(A) | 20V, 0~6.0A | ±1.0% | 150mV | 93.0% |
| ★ HLG-120H-24(A) | 24V, 0~5.0A | ±1.0% | 150mV | 93.0% |
| HLG-120H-30(A) | 30V, 0~4.0A | ±1.0% | 200mV | 93.0% |
| HLG-120H-36(A) | 36V, 0~3.4A | ±1.0% | 200mV | 93.0% |
| HLG-120H-42(A) | 42V, 0~2.9A | ±1.0% | 200mV | 93.0% |
| ★ HLG-120H-48(A) | 48V, 0~2.5A | ±1.0% | 200mV | 93.5% |
| HLG-120H-54(A) | 54V, 0~2.3A | ±1.0% | 200mV | 93.5% |

○ = A, B or Blank

★ HLG-120H-12A/24A/48A are our popular models. We will keep sufficient stock for prompt delivery of high quantity orders.



| | INPUT | OUTPUT |
|---|-------|--------|
| Standard | | |
| Optional (Contact MW for details) | | |



Features

- IP67 / IP65 design for indoor or outdoor installations
- Universal AC input 90~305VAC
- Built-in active PFC function
- High efficiency up to 94%
- Fanless design, cooling by free air convection
- -40~+70°C wide operating range
- Withstand 5G vibration test
- Meet 4kV surge immunity level (IEC61000-4-5)
- Built-in constant current limiting circuit
- Aluminum case and filling with heat-conducted glue
- Protections: Short circuit / Over current / Over voltage / Over temperature
- **Type HL LED drivers for use in Class I, Division 2 hazardous location luminaires**
- Multiple models for choice:
 - A-Type:** IP65 rated. Vo and Io can be adjusted through internal potentiometer
 - B-Type:** IP67 rated and built-in 3 in 1 dimming function (1~10VDC, PWM signal, or resistance)
 - C-Type:** Terminal block for I/O connection (HLG-240H)
 - Blank-Type:** IP67 rated. Cable for I/O connection
- Optional CQC models available (HLG-150H/185H/240H-A/Blank Type)
- Suitable for general industrial applications at high/low temperature, high dust, high moisture, high vibration, or outdoor environment
- 5 years warranty

General Specification (Please refer to www.meanwell.com for detail spec.)

| Model No. | HLG-150H | HLG-185H | HLG-240H |
|---------------------------|--|--|--|
| AC input voltage range | 90~305VAC; 127~431VDC | | |
| AC inrush current (max.) | Cold start, 65A at 230VAC | | Cold start, 75A at 230VAC |
| DC adjustment range | ±10% rated output voltage (A-Type only) | | ±6% rated output voltage (A-Type only) |
| Current adjustment range | 60%~100% rated output current adjustable by internal potentiometer (A-Type only) | | |
| Over current protection | 95%~108% constant current limiting, auto-recovery | | |
| Over voltage protection | 110%~140% rated output voltage | | |
| Setup, rise, hold up time | 500ms, 50ms, 16ms at full load and 230VAC | | 500ms, 80ms, 15ms at full load and 230VAC |
| Withstand voltage | I/P-O/P: 3.75kVAC, I/P-FG: 2kVAC, O/P-FG:1.5kVAC | | |
| Working temperature | -40~+70°C (refer to output derating curve) | | |
| Safety standards | UL8750, TUV EN61347-1, EN61347-2-13, PSE J61347-1, J61347-2-13 (except for C-Type) approved; UL1012, UL60950-1, TUV EN60950-1 approved for HLG-240H only | | |
| EMC standards | EN55015, EN55022 class B, EN61000-3-2 class C, EN61000-3-3, EN61000-4-2,3,4,5,6,8,11, EN61547 | | |
| Connection | Input | UL rated, SJTW 18AWGx3C (30cm); Terminal block for C-Type (HLG-240H only) | |
| | Output | A & Blank-Type: SJTW 14AWGx2C (30cm) ; B-Type: SJTW 14AWGx2C (30cm)+SJTW 18AWGx2C (30cm); C-Type: Terminal block (HLG-240H only) | |
| Dimension (LxWxH)(mm) | A/B/Blank-Type: 228x68x38.8 | | A/B/Blank-Type: 244.2x68x38.8 C-Type: 251x68x38.8 |

HLG-150H Series



| Model No. | Output | Tol. | R&N | Effi. |
|----------------|--------------|-------|-------|-------|
| HLG-150H-12(A) | 12V, 0~12.5A | ±2.5% | 150mV | 91.5% |
| HLG-150H-15(A) | 15V, 0~10.0A | ±2.0% | 150mV | 92.0% |
| HLG-150H-20(A) | 20V, 0~7.50A | ±1.0% | 150mV | 93.0% |
| HLG-150H-24(A) | 24V, 0~6.30A | ±1.0% | 150mV | 93.0% |
| HLG-150H-30(A) | 30V, 0~5.00A | ±1.0% | 200mV | 93.5% |
| HLG-150H-36(A) | 36V, 0~4.20A | ±1.0% | 200mV | 93.5% |
| HLG-150H-42(A) | 42V, 0~3.60A | ±1.0% | 200mV | 94.0% |
| HLG-150H-48(A) | 48V, 0~3.20A | ±1.0% | 200mV | 94.0% |
| HLG-150H-54(A) | 54V, 0~2.80A | ±1.0% | 200mV | 94.0% |

○ = A, B or Blank

| Model No. | Output | Tol. | R&N | Effi. |
|-----------------|--------------|-------|-------|-------|
| HLG-185H-42(A) | 42V, 0~4.40A | ±1.0% | 200mV | 94.0% |
| ★HLG-185H-48(A) | 48V, 0~3.90A | ±1.0% | 200mV | 94.0% |
| HLG-185H-54(A) | 54V, 0~3.45A | ±1.0% | 200mV | 94.0% |

○ = A, B or Blank

HLG-185H Series



| Model No. | Output | Tol. | R&N | Effi. |
|-----------------|--------------|-------|-------|-------|
| ★HLG-185H-12(A) | 12V, 0~13.0A | ±2.5% | 150mV | 91.5% |
| HLG-185H-15(A) | 15V, 0~11.5A | ±2.0% | 150mV | 92.0% |
| HLG-185H-20(A) | 20V, 0~9.30A | ±1.0% | 150mV | 93.0% |
| ★HLG-185H-24(A) | 24V, 0~7.80A | ±1.0% | 150mV | 93.5% |
| HLG-185H-30(A) | 30V, 0~6.20A | ±1.0% | 200mV | 93.5% |
| HLG-185H-36(A) | 36V, 0~5.20A | ±1.0% | 200mV | 93.5% |

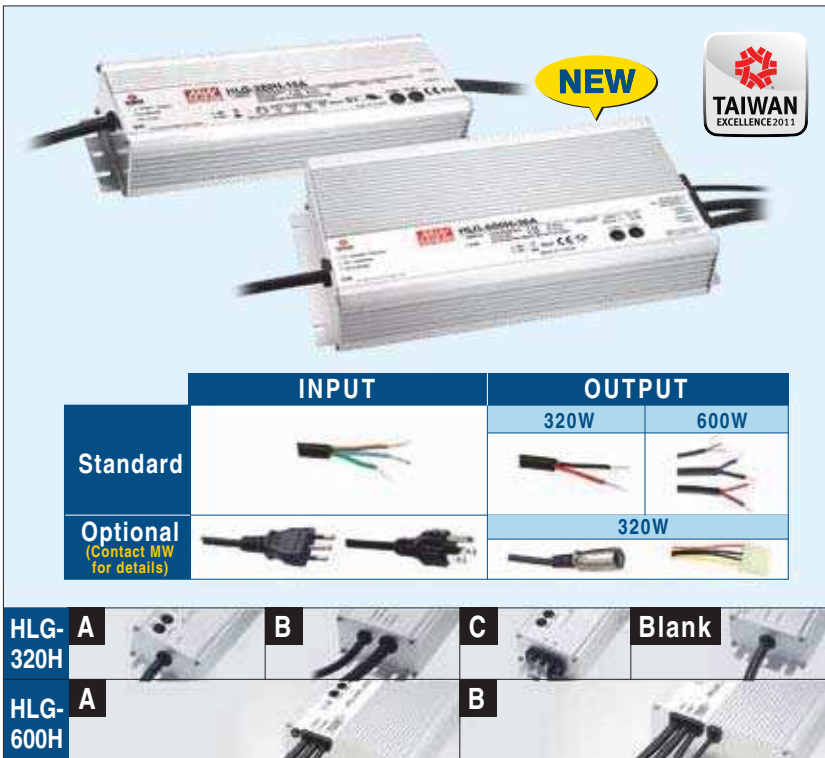
HLG-240H Series



| Model No. | Output | Tol. | R&N | Effi. |
|-----------------|--------------|-------|-------|-------|
| ★HLG-240H-12(A) | 12V, 0~16.0A | ±2.5% | 150mV | 90.0% |
| HLG-240H-15(A) | 15V, 0~15.0A | ±2.0% | 150mV | 90.0% |
| HLG-240H-20(A) | 20V, 0~12.0A | ±1.0% | 150mV | 91.5% |
| ★HLG-240H-24(A) | 24V, 0~10.0A | ±1.0% | 150mV | 92.5% |
| HLG-240H-30(A) | 30V, 0~8.00A | ±1.0% | 200mV | 92.5% |
| HLG-240H-36(A) | 36V, 0~6.70A | ±1.0% | 250mV | 92.5% |
| HLG-240H-42(A) | 42V, 0~5.72A | ±1.0% | 250mV | 92.5% |
| ★HLG-240H-48(A) | 48V, 0~5.00A | ±1.0% | 250mV | 93.0% |
| HLG-240H-54(A) | 54V, 0~4.45A | ±1.0% | 350mV | 93.5% |

○ = A, B, C or Blank

★ HLG-185H-12A/24A/48A & HLG-240H-12A/24A/48A are our popular models. We will keep sufficient stock for prompt delivery of high quantity orders.



Features

- IP67 / IP65 design for indoor or outdoor installations
- Universal AC input 90~305VAC
- Built-in active PFC function
- High efficiency up to 96%
- No load power consumption < 0.5W at remote off (HLG-600H)
- Fanless design, cooling by free air convection
- -40~+70°C wide operating range
- Withstand 5G vibration test
- Meet 4kV surge immunity level (IEC61000-4-5)
- Built-in constant current limiting circuit
- Aluminum case and filling with heat-conducted glue
- Protections: Short circuit / Over current / Over voltage / Over temperature
- Type HL LED drivers for use in Class I, Division 2 hazardous location luminaires
- Multiple models for choice:
 - A-Type:** IP65 rated. Vo and Io can be adjusted through internal potentiometer
 - B-Type:** IP67 rated and built-in 3 in 1 dimming function (1~10VDC, PWM signal, or resistance)
 - C-Type:** Terminal block for I/O connection (HLG-320H)
 - Blank-Type:** IP67 rated. Cable for I/O connection (HLG-320H)
- Suitable for general industrial applications at high/low temperature, high dust, high moisture, high vibration, or outdoor environment
- LED indicator for power on (HLG-600H A-Type only)
- 5 years warranty

General Specification (Please refer to www.meanwell.com for detail spec.)

| Model No. | HLG-320H | HLG-600H |
|---------------------------|--|--|
| AC input voltage range | 90~305VAC; 127~431VDC | |
| AC inrush current (max.) | Cold start, 70A at 230VAC | |
| DC adjustment range | -15%~+13.3% rated output voltage (A-Type&C-Type) | -15%~+5% rated output voltage (A-Type only) |
| Current adjustment range | 50%~100% rated output current adjustable by internal potentiometer (A-Type&HLG-320H C-Type only) | |
| Over current protection | 95%~108% constant current limiting, auto-recovery | |
| Over voltage protection | 110%~140% rated output voltage | |
| Setup, rise, hold up time | 500ms, 80ms, 15ms at full load and 230VAC | |
| Withstand voltage | I/P-O/P: 3.75kVAC, I/P-FG: 2kVAC, O/P-FG: 1.5kVAC | |
| Working temperature | -40~+70°C (refer to output derating curve) | |
| Safety standards | UL8750, TUV EN61347-1, EN61347-2-13, PSE J61347-1, J61347-2-13 (HLG-320H A/B/Blank-Type only) approved | UL8750, EN61347-1, ENEC EN61347-2-13, UL60950-1 approved |
| EMC standards | EN55015, EN55022 class B, EN61000-3-2 class C, EN61000-3-3, EN61000-4-2,3,4,5,6,8,11, EN61547 | |
| Connection | Input | UL rated, SJTW 18AWGx3C (30cm); HLG-320H C-Type: Terminal block |
| | Output | A & Blank-Type: SJTW 14AWGx2C (30cm) ; B-Type: SJTW 14AWGx2C (30cm)+SJTW 18AWGx2C (30cm); C-Type: Terminal block |
| Dimension (LxWxH)(mm) | 252x 90x 43.8 | 280x 144x 48.5 |

HLG-320H Series



| Model No. | Output | Tol. | R&N | Effi. |
|----------------|---------------|-------|-------|-------|
| HLG-320H-12(A) | 12V, 0~22.0A | ±3.0% | 150mV | 91.0% |
| HLG-320H-15(A) | 15V, 0~19.0A | ±2.0% | 150mV | 92.5% |
| HLG-320H-20(A) | 20V, 0~15.0A | ±1.5% | 150mV | 93.5% |
| HLG-320H-24(A) | 24V, 0~13.34A | ±1.0% | 150mV | 94.0% |
| HLG-320H-30(A) | 30V, 0~10.7A | ±1.0% | 200mV | 94.0% |
| HLG-320H-36(A) | 36V, 0~8.90A | ±1.0% | 250mV | 94.5% |
| HLG-320H-42(A) | 42V, 0~7.65A | ±1.0% | 250mV | 95.0% |
| HLG-320H-48(A) | 48V, 0~6.70A | ±1.0% | 250mV | 95.0% |
| HLG-320H-54(A) | 54V, 0~5.95A | ±1.0% | 350mV | 95.0% |

○ = A, B, C or Blank

HLG-600H Series



| Model No. | Output | Tol. | R&N | Effi. |
|----------------|--------------|-------|-------|-------|
| HLG-600H-12(A) | 12V, 0~40A | ±3.0% | 150mV | 92.0% |
| HLG-600H-15(A) | 15V, 0~36A | ±2.0% | 150mV | 93.5% |
| HLG-600H-20(A) | 20V, 0~28A | ±1.5% | 150mV | 94.5% |
| HLG-600H-24(A) | 24V, 0~25A | ±1.0% | 150mV | 95.0% |
| HLG-600H-30(A) | 30V, 0~20A | ±1.0% | 200mV | 95.0% |
| HLG-600H-36(A) | 36V, 0~16.7A | ±1.0% | 250mV | 95.5% |
| HLG-600H-42(A) | 42V, 0~14.3A | ±1.0% | 250mV | 96.0% |
| HLG-600H-48(A) | 48V, 0~12.5A | ±1.0% | 250mV | 96.0% |
| HLG-600H-54(A) | 54V, 0~11.2A | ±1.0% | 350mV | 96.0% |

○ = A, B

Feature Description of HLG Family

Built-in active PFC function and constant current output, full range of HLG family feature with high IP level (IP65/67), 5G anti-vibration, 86.5%~96% of high efficiency, and 4kV anti-surge capability. Along with 5-year warranty as well as fan-less design, the whole family can be cooled by free air convection from -40°C to +70°C ambient temperature, so that they can fit in with all kinds of outdoor/ indoor harsh environments against high dust, high moisture, vibration, high ambient temperature and extremely low temperature, or any machine/ equipment has no noise requirement. In addition to the indoor/ outdoor LED lighting applications, HLG family is also a good solution to be used in harsh environment for industrial related purposes, such as LED electronic display, lawn mower, electric vehicle charging, telecom device, and outdoor electrical equipments...etc..

600W High Efficiency and Fanless

- Universal AC input / Full range
- Built-in active PFC function
- No load power consumption <0.5W at remote OFF
- **High efficiency up to 96%**
- Fanless design, cooling by free air convection
- -40~+70°C wide operating range
- Withstand 5G vibration test
- Built-in constant current limiting circuit
- Vo and Io can be adjusted through internal potentiometer
- Aluminum case and filling with heat-conducted glue
- Protections: Short circuit / Over current / Over voltage / Over temp.
- **Suitable for general industrial applications at high/low temperature, high dust, high moisture, high vibration, or outdoor environment**
- **5 years warranty**



AC input voltage range 90~264VAC; 127~370VDC
 AC inrush current Cold start, 70A at 230VAC
 DC adjustment range -15%~+5% rated output voltage
 Current adjustment range 50%~100% rated output current adjustable by internal potentiometer
 Over current protection 105%~125% constant current limiting, auto-recovery
 Over voltage protection..... 108%~135% rated output voltage
 Setup, rise, hold up time 500ms, 80ms, 15ms at full load and 230VAC
 Withstand voltage I/P-O/P: 3kVAC, I/P-FG: 2kVAC, O/P-FG: 1.5kVAC
 Working temperature -40~+70°C (refer to output derating curve)
 Safety standards UL60950-1, TUV EN60950-1 approved
 EMC standards EN55022 class B, EN61000-3-2,3, EN61000-4-2,3,4,5,6,8,11
 Connection 3+7P/11mm pitch terminal block with cover

| Model No. | Output | Tol. | R&N | Effi. |
|------------|--------------|-------|-------|-------|
| HEP-600-12 | 12V, 0~40A | ±3.0% | 150mV | 93.0% |
| HEP-600-15 | 15V, 0~36A | ±2.0% | 150mV | 94.0% |
| HEP-600-20 | 20V, 0~28A | ±1.5% | 150mV | 95.0% |
| HEP-600-24 | 24V, 0~25A | ±1.0% | 150mV | 95.0% |
| HEP-600-30 | 30V, 0~20A | ±1.0% | 200mV | 95.5% |
| HEP-600-36 | 36V, 0~16.7A | ±1.0% | 250mV | 95.5% |
| HEP-600-42 | 42V, 0~14.3A | ±1.0% | 250mV | 96.0% |
| HEP-600-48 | 48V, 0~12.5A | ±1.0% | 250mV | 96.0% |
| HEP-600-54 | 54V, 0~11.2A | ±1.0% | 350mV | 96.0% |

40 & 60W Output Current Programmable

- Universal AC input / Full range
- **Output current can be adjusted 10~100% by 1~10Vdc, PWM signal or resistance**
- Installed on DIN rail TS35 / 7.5 or 15
- Protections: Short circuit / Overload / Over voltage
- Pass LPS
- Cooling by free air convection
- LED indicator for power on
- 100% full load burn-in test
- Suitable for machine vision inspection system and plant cultivation application
- 3 years warranty



AC input voltage range 90~264VAC; 127~370VDC
 AC inrush current Cold start, 60A at 230VAC
 DC adjustment range 12V: 12~15V, 24V: 24~30V
 Current adjustment range 10%~100% rated output current adjustable by 1~10Vdc, PWM signal or resistance
 Overload protection 95%~108% rated output power, constant current limiting, auto-recovery
 Over voltage protection..... 120%~155% rated output power, shut down o/p voltage, re-power on to recover
 Withstand voltage I/P-O/P: 3kVAC, I/P-FG: 2kVAC, O/P-FG: 0.5kVAC
 Working temperature -30~+70°C (refer to output derating curve)
 Safety standards UL60950-1, TUV EN60950-1 approved
 EMC standards EN55022 class B, EN61000-3-2,3, EN61000-4-2,3,4,5,6,8,11, EN61204-3
 Connection I/P: 3 poles, O/P: 6 poles screw DIN terminal

♦ DRA-40 Series

| Model No. | Output | Tol. | R&N | Effi. |
|-----------|--------------|-------|-------|-------|
| DRA-40-12 | 12V, 0~3.34A | ±1.0% | 120mV | 85% |
| DRA-40-24 | 24V, 0~1.7A | ±1.0% | 150mV | 87% |

♦ DRA-60 Series

| Model No. | Output | Tol. | R&N | Effi. |
|-----------|-------------|-------|-------|-------|
| DRA-60-12 | 12V, 0~5A | ±1.0% | 120mV | 85% |
| DRA-60-24 | 24V, 0~2.5A | ±1.0% | 150mV | 87% |



Products —

- One Stop Shopping
- Total Solution



Best products also need best services.

We have authorized distributors all over the world. They have sufficient stock for your prompt delivery. Also they can offer you technical support & RMA services. Please contact your local distributors for more product information. You can also contact us at info@meanwell.com for information of your local distributors.



To satisfy customers is our goal —

- High Quality
- Low Cost
- Prompt Delivery
- Best Service



Features

- Universal AC input / Full range
- Installed on DIN rail TS35 / 7.5 or 15
- Protections: Short circuit / Overload / Over voltage
- No load power consumption <0.75W (<1W for MDR-100)
- LED indicator for power on
- **Built-in active PFC and over temp. protection (MDR-100)**
- **Class I, Div 2 Hazardous Locations T4(MDR-40/60)**
- DC OK signal output (MDR-10/20)
- DC OK relay contact (MDR-40/60/100)
- Cooling by free air convection
- 100% full load burn-in test
- 3 years warranty

General Specification (Please refer to www.meanwell.com for detail spec.)

| Model No. | MDR-10 | MDR-20 | MDR-40 | MDR-60 | MDR-100 |
|---------------------------|--|--------|--|--|--|
| AC input voltage range | 85~264VAC; 120~370VDC | | | | |
| AC inrush current | Cold start, 35A at 115VAC, 70A at 230VAC | | Cold start, 20A at 115VAC, 40A at 230VAC | Cold start, 30A at 115VAC, 60A at 230VAC | |
| DC adjustment range | Fixed | | ±10% rated output voltage | 0~+20% rated output voltage | |
| Overload protection | >105% hiccup mode, auto-recovery | | 105%~160% constant current limiting, auto-recovery | 105%~150% constant current limiting, auto-recovery | |
| Over voltage protection | 115%~135% rated output voltage | | | 125%~150% rated output voltage | |
| Setup, rise, hold up time | 500ms, 30ms, 120ms | | 500ms, 30ms, 50ms | | 3000ms, 50ms, 50ms |
| Withstand voltage | I/P-O/P:3kVAC, I/P-FG:2kVAC, 1minute | | | | |
| Working temperature | -20~+70°C (refer to output derating curve) | | | | -10~+60°C |
| DC OK signal | Open collector | | Open collector | Relay contact | |
| Safety standards | UL508, TUV EN60950-1 approved; MDR-40/60 also approved for UL60950-1, ANSI/ISA 12.12.01-2013 Class I, Div. 2 Group A, B, C, D Hazardous Locations T4 | | | | |
| EMC standards | EN55022 class B, EN61000-3-2,3, EN61000-4-2,3,4,5,6,8,11, EN61204-3, EN61000-6-2 heavy industry level (MDR-40/60/100) | | | | |
| Connection | I/P: 3 poles, O/P: 3 poles screw DIN terminal | | | IP: 3 poles, O/P: 6 poles screw DIN terminal | |
| Dimension (WxHxD)(mm) | 22.5x90x100 | | 40x90x100 | | 55x90x100 |
| Packing | 72pcs / 13.2kg | | 72pcs / 14.7kg | | 42pcs / 13.6kg, 42pcs / 14.8kg, 30pcs / 13.6kg |

MDR-10 Series



| Model No. | Output | Tol. | R&N | Effi. |
|-----------|--------------|------|-------|-------|
| MDR-10-5 | 5V, 0~2.0A | ±5% | 80mV | 77% |
| MDR-10-12 | 12V, 0~0.84A | ±3% | 120mV | 81% |
| MDR-10-15 | 15V, 0~0.67A | ±3% | 120mV | 81% |
| MDR-10-24 | 24V, 0~0.42A | ±2% | 150mV | 84% |

MDR-60 Series



| Model No. | Output | Tol. | R&N | Effi. |
|-----------|--------------|------|-------|-------|
| MDR-60-5 | 5V, 0~10.0A | ±2% | 80mV | 78% |
| MDR-60-12 | 12V, 0~5.00A | ±1% | 120mV | 86% |
| MDR-60-24 | 24V, 0~2.50A | ±1% | 150mV | 88% |
| MDR-60-48 | 48V, 0~1.25A | ±1% | 200mV | 87% |

MDR-20 Series



| Model No. | Output | Tol. | R&N | Effi. |
|-----------|--------------|------|-------|-------|
| MDR-20-5 | 5V, 0~3.0A | ±2% | 80mV | 76% |
| MDR-20-12 | 12V, 0~1.67A | ±1% | 120mV | 80% |
| MDR-20-15 | 15V, 0~1.34A | ±1% | 120mV | 81% |
| MDR-20-24 | 24V, 0~1.00A | ±1% | 150mV | 84% |

MDR-100 Series



| Model No. | Output | Tol. | R&N | Effi. |
|------------|-------------|------|-------|-------|
| MDR-100-12 | 12V, 0~7.5A | ±1% | 120mV | 83% |
| MDR-100-24 | 24V, 0~4.0A | ±1% | 150mV | 86% |
| MDR-100-48 | 48V, 0~2.0A | ±1% | 200mV | 87% |

MDR-40 Series



| Model No. | Output | Tol. | R&N | Effi. |
|-----------|--------------|------|-------|-------|
| MDR-40-5 | 5V, 0~6.00A | ±2% | 80mV | 78% |
| MDR-40-12 | 12V, 0~3.33A | ±1% | 120mV | 86% |
| MDR-40-24 | 24V, 0~1.70A | ±1% | 150mV | 88% |
| MDR-40-48 | 48V, 0~0.83A | ±1% | 200mV | 88% |



Energy Saving —

We care about energy saving. This logo represents that this model has "low no load power consumption"!



To satisfy our customers is our goal —

- High Quality
- Low Cost
- Prompt Delivery
- Best Service



■ Features

- Isolation Class II
- Universal AC input / Full range
- Protections: Short circuit / Overload / Over voltage
- Over temperature protection (DR-100)
- No load power consumption < 1W (DR-100)
- No load power consumption < 0.5W (DR-15)
- Installed on DIN rail TS35 / 7.5 or 15
- Cooling by free air convection
- LED indicator for power on
- 100% full load burn-in test
- 3 years warranty
- Suitable for building automation and control of household appliance

■ General Specification (Please refer to www.meanwell.com for detail spec.)



| Model No. | DR-15 | DR-30 | DR-60 | DR-100 |
|--------------------------|--|--|-----------------------------------|---------------------------------------|
| AC input voltage range | 85~264VAC; 120~370VDC | | 88~264VAC; 124~370VDC | |
| AC inrush current (max.) | Cold start, 65A at 230VAC | Cold start, 30A at 230VAC | Cold start, 36A at 230VAC | Cold start, 45A at 230VAC |
| DC adjustment range | ±10% rated output voltage | | | 12V: 12~15V, 15V: 15~18V, 24V: 24~29V |
| Overload protection | Range | 105%~160% | | 105%~135% |
| | Type | constant current limiting, auto-recovery | | |
| Over voltage protection | Range | 115%~135% rated output voltage | | 125%~155% rated output voltage |
| | Type | Shut off, clamp by zener diode | Shut down, re-power on to recover | |
| Withstand voltage | I/P-O/P: 3kVAC | | | |
| Working temperature | -20~+60°C (refer to output load derating curve) | | | |
| Vibration | 10~500Hz, 2G 10 min./1 cycle, period for 60 min. each along X, Y, Z axes | | | |
| Safety standards | UL60950-1, TUV60950-1 approved | | | |
| EMC standards | EN55022 class B, EN61000-3-2,3, EN61000-6-2, EN61000-4-2,3,4,5,6,8,11, EN61204-3 | | | |
| Connection | I/P and O/P: 2 poles screw DIN terminal | I/P: 2 poles, O/P: 4 poles screw DIN terminal | | |
| Dimension (WxHxD)(mm) | 25x93x56 | 78x93x56 | 78x93x56 | 100x93x56 |
| Case No. | 985A | 918B | 918B | 970A |
| Packing | 140pcs / 15.0kg | 48pcs / 14.0kg | 48pcs / 15.4kg | 36pcs / 13.6kg |

■ 15W DR-15

| Model No. | Output | Tol. | R&N | Effi. |
|-----------|--------------|------|-------|-------|
| DR-15-5 | 5V, 0~2.40A | ±2% | 80mV | 77.0% |
| DR-15-12 | 12V, 0~1.25A | ±1% | 120mV | 84.0% |
| DR-15-15 | 15V, 0~1.00A | ±1% | 120mV | 83.5% |
| DR-15-24 | 24V, 0~0.63A | ±1% | 150mV | 85.0% |

■ 60W DR-60

| Model No. | Output | Tol. | R&N | Effi. |
|-----------|-------------|------|-------|-------|
| DR-60-5 | 5V, 0~6.5A | ±2% | 80mV | 76% |
| DR-60-12 | 12V, 0~4.5A | ±1% | 120mV | 82% |
| DR-60-15 | 15V, 0~4.0A | ±1% | 120mV | 83% |
| DR-60-24 | 24V, 0~2.5A | ±1% | 150mV | 84% |

■ 30W DR-30

| Model No. | Output | Tol. | R&N | Effi. |
|-----------|-------------|------|-------|-------|
| DR-30-5 | 5V, 0~3.0A | ±2% | 80mV | 74% |
| DR-30-12 | 12V, 0~2.0A | ±1% | 120mV | 81% |
| DR-30-15 | 15V, 0~2.0A | ±1% | 120mV | 82% |
| DR-30-24 | 24V, 0~1.5A | ±1% | 150mV | 83% |

■ 100W DR-100

| Model No. | Output | Tol. | R&N | Effi. |
|-----------|-------------|------|-------|-------|
| DR-100-12 | 12V, 0~7.5A | ±2% | 120mV | 87% |
| DR-100-15 | 15V, 0~6.5A | ±1% | 120mV | 87% |
| DR-100-24 | 24V, 0~4.2A | ±1% | 150mV | 89% |



We provide specification, drawing, test report and more information, please visit our website —

<http://www.meanwell.com>



Energy Saving —

We care about energy saving. This logo represents that this model has "low no load power consumption"!



Features

- Universal AC input / Full range (DR-45/75, DRP-240)
AC input selectable by switch (DR-120, DRP-480S); AC input 180~264VAC only (DRP-480)
- Built-in active PFC function (DRP-240)
- Built-in passive PFC function compliance to EN61000-3-2 (480W models)
- Protections: Short circuit / Overload / Over voltage / Over temperature
- Cooling by free air convection
- Can be installed on DIN rail TS35 / 7.5 or 15
- UL508 (industrial control equipment) listed
- 100% full load burn-in test
- LED indicator for power on
- 3 years warranty

General Specification (Please refer to www.meanwell.com for detail spec.)

| Model No. | DR-45 | DR-75 | DR-120 | DRP-240 | DRP-480 | DRP-480S |
|----------------------------|--|----------------------------------|----------------|-----------------|--|---------------|
| AC input voltage range | 85~264VAC(DR-45/75, DRP-240); 90~132/180~264VAC selectable by switch (DR-120, DRP-480S); 180~264VAC only (DRP-480) | | | | | |
| AC inrush current (230VAC) | 56A | 40A | 40A | 45A | 40A | 45A |
| DC adjustment range | ±10% | | | | | |
| Overload protection | 105%~150% constant current limiting, auto-recovery | | | | | |
| Over voltage protection | Range | 115%~142% rated output voltage | | | 30~36V for 24V model, 54~60V for 48V model | |
| | Type | Shut off, AC recycle to re-start | | | | |
| Over temp. protection | Shut down output voltage, recovers automatically after temperature goes down (DRP-240, re-power on to recover) | | | | | |
| Withstand voltage | I/P-O/P: 3kVAC, I/P-FG: 1.5kVAC, O/P-FG: 0.5kVAC, 1 minute | | | | | |
| Working temperature | -10~+50°C | -10~+60°C | | -10~+70°C | -20~+70°C | |
| Safety standards | UL508, TUV EN60950-1 approved (UL60950-1 also for DR-120, DRP-240, DRP-480, DRP-480S) | | | | | |
| EMC standards | EN55022 class B, EN61000-3-2,3, EN61000-4-2,3,4,5,6,8,11, EN61000-6-2 heavy industry level | | | | | |
| Connection | I/P: 3 poles, O/P: 4 poles screw DIN terminal | | | | | |
| Dimension (WxHxD)(mm) | 78x93x67 | 55.5x125.2x100 | | 125.5x125.2x100 | 227x125.2x100 | |
| Case No. | 918A | 923 | 921A | 922A | 930 | |
| Packing | 48pcs / 17.5kg | 20pcs / 13.0kg | 20pcs / 16.5kg | 12pcs / 15.5kg | 6pcs / 15.0kg | 6pcs / 16.6kg |

DR-45 Series



| Model No. | Output | Tol. | R&N | Effi. |
|-----------|-------------|------|-------|-------|
| DR-4505 | 5V, 0~5.0A | ±2% | 100mV | 72% |
| DR-4512 | 12V, 0~3.5A | ±1% | 200mV | 77% |
| DR-4515 | 15V, 0~2.8A | ±1% | 240mV | 77% |
| DR-4524 | 24V, 0~2.0A | ±1% | 480mV | 80% |

DR-75 Series



| Model No. | Output | Tol. | R&N | Effi. |
|-----------|-------------|------|-------|-------|
| DR-75-12 | 12V, 0~6.3A | ±2% | 100mV | 76% |
| DR-75-24 | 24V, 0~3.2A | ±1% | 150mV | 80% |
| DR-75-48 | 48V, 0~1.6A | ±1% | 240mV | 81% |

DR-120 Series



| Model No. | Output | Tol. | R&N | Effi. |
|-----------|-------------|------|-------|-------|
| DR-120-12 | 12V, 0~10A | ±2% | 80mV | 80% |
| DR-120-24 | 24V, 0~5.0A | ±1% | 80mV | 84% |
| DR-120-48 | 48V, 0~2.5A | ±1% | 100mV | 85% |

DRP-240 Series



| Model No. | Output | Tol. | R&N | Effi. |
|------------|-------------|------|-------|-------|
| DRP-240-24 | 24V, 0~10A | ±1% | 80mV | 84% |
| DRP-240-48 | 48V, 0~5.0A | ±1% | 150mV | 85% |

DRP-480 Series



| Model No. | Output | Tol. | R&N | Effi. |
|------------|------------|------|-------|-------|
| DRP-480-24 | 24V, 0~20A | ±1% | 120mV | 89% |
| DRP-480-48 | 48V, 0~10A | ±1% | 120mV | 89% |

DRP-480S Series



| Model No. | Output | Tol. | R&N | Effi. |
|-------------|------------|------|-------|-------|
| DRP-480S-24 | 24V, 0~20A | ±1% | 120mV | 89% |
| DRP-480S-48 | 48V, 0~10A | ±1% | 120mV | 89% |



Customer Satisfaction

Today's effort, tomorrow's reward. Continuously improve CQTS to satisfy customer is our goal.



■ Features

- Input 340~550VAC, 3-phase (two phase for DRH-120)
- Protections: Short circuit / Overload / Over voltage / Over temperature
- Built-in constant current limiting circuit
- Cooling by free air convection
- Can be installed on DIN rail TS35 / 7.5 or 15
- UL508 (industrial control equipment) listed (240~960W)
- EN61000-6-2 industrial immunity level
- Optional parallel function (1+1) (960W only)
- 100% full load burn-in test
- LED indicator for power on
- 3 years warranty

■ General Specification (Please refer to www.meanwell.com for detail spec.)

| Model No. | DRH-120 | DRT-240 | DRT-480 | DRT-960 |
|---------------------------------|---|--|---------------|----------------------------|
| AC input voltage range | 340~550VAC, two phase | 340~550VAC, 3-phase (two phase operation possible) | | |
| AC inrush current (max.) | Cold start, 50A at 400VAC | | | |
| DC adjustment range | 24V: 24~28V, 48V: 48~55V | | | |
| Overload protection | Range | 105%~160% | 105%~150% | 105%~125% |
| | Type | Constant current limiting, auto-recovery | | |
| Over voltage protection | Range | 24V: 30~36V, 48V: 59~66V | | |
| | Type | Shut off, AC recycle to re-start | | |
| Over temperature protection | Shut down output voltage, recovers automatically after temperature goes down | | | |
| Withstand voltage | I/P - O/P: 3kVAC, I/P - FG: 1.5kVAC, O/P - FG: 0.5kVAC, 1 minute | | | |
| Working temperature | -20~+60°C | -20~+70°C | | -20~+60°C |
| Safety standards | UL60950-1 approved | UL508, UL60950-1, TUV EN60950-1 approved | | |
| EMC standards | EN55022 class B, EN61000-3-2,3, EN61000-4-2,3,4,5,6,8,11, EN61204-3, EN61000-6-2 heavy industry level | | | |
| Connection (screw DIN terminal) | I/P: 3 poles, O/P: 4 poles | I/P: 4 poles, O/P: 4 poles | | I/P: 4 poles, O/P: 6 poles |
| Dimension (WxHxD)(mm) | 65.5x125.2x100 | 125.5x125.2x100 | 227x125.2x100 | 276x125.2x100 |
| Case No. | 921A | 922A | 930A | 934 |
| Packing | 20pcs / 16.0kg | 12pcs / 16.6kg | 6pcs / 16.0kg | 4pcs / 14.2kg |

■ DRH-120 (Two Phase)



| Model No. | Output | Tol. | R&N | Effi. |
|------------|-------------|------|------|-------|
| DRH-120-24 | 24V, 0~5.0A | ±1% | 80mV | 85% |
| DRH-120-48 | 48V, 0~2.5A | ±1% | 80mV | 86% |

■ DRT-480 (Three Phase)



| Model No. | Output | Tol. | R&N | Effi. |
|------------|------------|------|------|-------|
| DRT-480-24 | 24V, 0~20A | ±1% | 80mV | 89% |
| DRT-480-48 | 48V, 0~10A | ±1% | 80mV | 90% |

■ DRT-240 (Three Phase)



| Model No. | Output | Tol. | R&N | Effi. |
|------------|-------------|------|------|-------|
| DRT-240-24 | 24V, 0~10A | ±1% | 80mV | 89% |
| DRT-240-48 | 48V, 0~5.0A | ±1% | 80mV | 89% |

■ DRT-960 (Three Phase)



| Model No. | Output | Tol. | R&N | Effi. |
|------------|------------|------|------|-------|
| DRT-960-24 | 24V, 0~40A | ±1% | 80mV | 91% |
| DRT-960-48 | 48V, 0~20A | ±1% | 80mV | 92% |



Best products also need best service.

We have authorized distributors all over the world. They have sufficient stock for your prompt delivery. Also they can offer you technical support & RMA services. Please contact your local distributors for more product information. You can also contact us at info@meanwell.com for information of your local distributors.



We provide specification, drawing, test report and more information, please visit our website —

<http://www.meanwell.com>



48hrs delivery—

We keep enough stock for 95% of standard models at our 2400m² warehouse. We can arrange prompt delivery within 48hrs.



Features

- Universal AC input / Full range
- Protections: Short circuit / Overload / Over voltage / Over temperature
- Cooling by free air convection
- Can be installed on DIN rail TS35 / 7.5 or 15
- UL508 (industrial control equipment) listed
- EN61000-6-2 (EN50082-2) industrial immunity level
- 100% full load burn-in test
- Low cost
- 3 years warranty for NDR series
2 years warranty for EDR series

General Specification (Please refer to www.meanwell.com for detail spec.)



| Model No. | EDR-75 | EDR-120 | EDR-150 | NDR-75 | NDR-120 |
|---------------------------------|--|---|-------------|---|------------------|
| AC input voltage range | 90~264VAC; 127~370VDC | | | | |
| AC inrush current (max.) | Cold start, 35A at 230VAC | | | | |
| DC adjustment range | 12V: 12~14V, 24V: 24~28V, 48V: 48~55V | | | | |
| Overload protection | Range | 105%~130% | | | |
| | Type | Constant current limiting, auto-recovery | | | |
| Over voltage protection | Range | 14V: 14~17V, 24V: 29~33V, 48V: 56~65V | 24V: 29~33V | 14V: 14~17V, 24V: 29~33V, 48V: 56~65V | |
| | Type | Shut down o/p voltage, re-power on to recover | | | |
| Over temperature protection | Shut down o/p voltage, re-power on to recover | | | | |
| Withstand voltage | I/P-O/P: 3kVAC, I/P-FG: 2kVAC, O/P-FG: 0.5kVAC | | | | |
| Working temperature | -20~+60°C (refer to output derating curve) | | | -20~+70°C (refer to output derating curve) | |
| Safety standards | UL508, TUV EN60950-1 approved | | | | |
| EMC standards | EN55022 class A, EN61000-3-2(125W for EDR-150),3, EN61000-4-2,3,4,5,6,8,11, EN61000-6-2(EN50082-2) | | | EN55022 class B, EN61000-3-2,3, EN61000-4-2,3,4,5,6,8,11, EN61000-6-2(EN50082-2), EN61204-3 | |
| Connection (screw DIN terminal) | I/P: 3 poles, O/P: 4 poles | | | | |
| Dimension (WxHxD)(mm) | 32x 125.2x 102 | 40x 125.2x 113.5 | | 32x 125.2x 102 | 40x 125.2x 113.5 |
| Case No. | 221B | 992D | | 221B | 992D |
| Packing | 28pcs / 15.3kg | 20pcs / 13kg | | 28pcs / 15.3kg | 20pcs / 13kg |

75W EDR-75

| Model No. | Output | Tol. | R&N | Effi. |
|-----------|-------------|-------|-------|-------|
| EDR-75-12 | 12V, 0~6.3A | ±2.0% | 100mV | 85.5% |
| EDR-75-24 | 24V, 0~3.2A | ±1.0% | 120mV | 87.5% |
| EDR-75-48 | 48V, 0~1.6A | ±1.0% | 150mV | 88.5% |

75W NDR-75

| Model No. | Output | Tol. | R&N | Effi. |
|-----------|-------------|-------|-------|-------|
| NDR-75-12 | 12V, 0~6.3A | ±2.0% | 100mV | 85.5% |
| NDR-75-24 | 24V, 0~3.2A | ±1.0% | 150mV | 88.0% |
| NDR-75-48 | 48V, 0~1.6A | ±1.0% | 240mV | 89.0% |

120W EDR-120

| Model No. | Output | Tol. | R&N | Effi. |
|------------|-------------|-------|-------|-------|
| EDR-120-12 | 12V, 0~10A | ±2.0% | 100mV | 85.0% |
| EDR-120-24 | 24V, 0~5A | ±1.0% | 120mV | 87.5% |
| EDR-120-48 | 48V, 0~2.5A | ±1.0% | 150mV | 88.5% |

120W NDR-120

| Model No. | Output | Tol. | R&N | Effi. |
|------------|-------------|-------|-------|-------|
| NDR-120-12 | 12V, 0~10A | ±2.0% | 100mV | 85.5% |
| NDR-120-24 | 24V, 0~5A | ±1.0% | 120mV | 88.0% |
| NDR-120-48 | 48V, 0~2.5A | ±1.0% | 150mV | 89.0% |

150W EDR-150

| Model No. | Output (230VAC/115VAC) | Tol. | R&N | Effi. |
|------------|------------------------|-------|-------|-------|
| EDR-150-24 | 24V, 0~6.5A / 0~5.2A | ±1.0% | 150mV | 87% |



48hrs delivery—

We keep enough stock for 95% of standard models at our 2400m² warehouse. We can arrange prompt delivery within 48hrs.



Customer Satisfaction —

Today's effort, tomorrow's reward. Continuously improve CQTS to satisfy customer is our goal.



Products —

- One Stop Shopping
- Total Solution



SDR-75 SDR-120 SDR-240 SDR-480 SDR-960

■ Features

- High efficiency up to 94%
- Universal AC input / Full range (SDR-75/120/240/480)
AC input 180~264VAC only (SDR-960)
- Built-in active PFC function (SDR-120/240/480/960)
- Protections: Short circuit / Overload /
Over voltage / Over temperature
- Cooling by free air convection
- Can be installed on DIN rail TS-35 / 7.5 or 15
- UL508(industrial control equipment) approved
- EN61000-6-2(EN50082-2) industrial immunity level
- Built-in DC OK relay contact (except for SDR-75)
- 150% peak load capability (SDR-75/120/240/480)
130% peak load capability (SDR-960)
- **Current sharing up to 3840W (7+1) for SDR-480P**
Current sharing up to 3840W (3+1) for SDR-960
- Comply with GL (SDR-120/240/480)
Comply with SEMI F47 (SDR-75/120/240/480)
- 3 years warranty

■ General Specification (Please refer to www.meanwell.com for detail spec.)

| Model No. | SDR-75 | SDR-120 | SDR-240 | SDR-480 <input type="checkbox"/> | SDR-960 |
|-----------------------------|---|--|---|---|---|
| AC input voltage range | 88~264VAC; 124~370VDC | | | 90~264VAC; 127~370VDC | 180~264VAC; 254~370VDC |
| AC inrush current (max.) | Cold start, 50A at 230VAC | Cold start, 70A at 230VAC | Cold start, 65A at 230VAC | Cold start, 80A at 230VAC | Cold start, 50A at 230VAC |
| DC adjustment range | 12V: 12~14V (only for SDR-75/120), 24V: 24~28V, 48V: 48~55V | | | | |
| Overload protection | Normally works within 110%-150% rated output power for 3 seconds and then shut down output voltage with auto-recovery (re-power on to recover for SDR-75) | | | | Normally works within 105%~130% rated output power for 3 seconds and then shut down o/p voltage with auto-recovery after 30 seconds if the peak load condition is removed |
| | >150% rated power or short circuit, constant current limiting with auto-recovery within 2 seconds and may cause to shut down if over 2 seconds | | | | Constant current limiting within 130%~150% rated output power for more than 3 seconds and then shut down o/p voltage, re-power on to recover |
| Over voltage protection | Range | 14~17V for 12V model(SDR-75/120), 29~33V for 24V model, 56~65V for 48V model | | | |
| | Type | Shut down o/p voltage, re-power on to recover | | | Shut down o/p voltage with auto-recovery, or re-power on to recover |
| Over temperature protection | Re-power on to recover | Recovers automatically after temperature goes down | | | |
| Withstand voltage | I/P-O/P:3kVAC, I/P-FG:1.5kVAC, O/P-FG:0.5kVAC, O/P-DC OK:0.5kVAC (except for SDR-75) | | | | |
| Working temperature | -30~+70°C | -25~+70°C (refer to output derating curve) | | | -30~+70°C |
| Safety standards | UL508, TUV EN60950-1, GL (SDR-120/240/480) approved | | | | |
| EMC standards | EN55022 class B, EN61000-3-2,3, EN61000-4-2,3,4,5,6,8,11, EN61000-6-2 (EN50082-2), EN61204-3; SEMI (SDR-75/120/240/480), GL (SDR-120/240/480) | | | | |
| Connection | I/P: 3 poles, O/P: 4 poles screw DIN terminal | | I/P: 3 poles, O/P: 6 poles screw DIN terminal | I/P: 3 poles, O/P: 8 poles screw DIN terminal | I/P:3 poles, O/P: 6 poles screw DIN terminal |
| Dimension (WxHxD)(mm) | 32x125.2x102 | 40x125.2x113.5 | 63x125.2x113.5 | 85.5x125.2x128.5 | 110x125.2x150 |

■ SDR-75 Series



| Model No. | Output | Tol. | R&N | Effi. |
|-----------|-------------|-------|-------|-------|
| SDR-75-12 | 12V, 0~6.3A | ±1.0% | 100mV | 88.5% |
| SDR-75-24 | 24V, 0~3.2A | ±1.0% | 100mV | 89.0% |
| SDR-75-48 | 48V, 0~1.6A | ±1.0% | 120mV | 90.0% |

■ SDR-120 Series



| Model No. | Output | Tol. | R&N | Effi. |
|------------|-------------|-------|-------|-------|
| SDR-120-12 | 12V, 0~10A | ±1.0% | 100mV | 89.0% |
| SDR-120-24 | 24V, 0~ 5A | ±1.0% | 100mV | 91.0% |
| SDR-120-48 | 48V, 0~2.5A | ±1.0% | 120mV | 90.5% |

■ SDR-240 Series



| Model No. | Output | Tol. | R&N | Effi. |
|------------|------------|-------|-------|-------|
| SDR-240-24 | 24V, 0~10A | ±1.0% | 100mV | 94% |
| SDR-240-48 | 48V, 0~5A | ±1.0% | 120mV | 94% |

■ SDR-480 Series



| Model No. | Output | Tol. | R&N | Effi. |
|--------------------------------------|------------|-------|-------|-------|
| SDR-480 <input type="checkbox"/> -24 | 24V, 0~20A | ±1.2% | 100mV | 94% |
| SDR-480 <input type="checkbox"/> -48 | 48V, 0~10A | ±1.0% | 120mV | 94% |

=blank, P ; Blank: basic function, P: with parallel function

■ SDR-960 Series



| Model No. | Output | Tol. | R&N | Effi. |
|------------|------------|-------|-------|-------|
| SDR-960-24 | 24V, 0~40A | ±1.0% | 180mV | 94% |
| SDR-960-48 | 48V, 0~20A | ±1.0% | 250mV | 94% |



■ Features

- Single and two phase wide input range 180~550VAC
- Built-in active PFC (WDR-240/480)
- Protections: Short circuit / Overload / Over voltage / Over temperature
- Cooling by free air convection
- Built-in constant current limiting circuit
- Can be installed on DIN rail TS-35 / 7.5 or 15
- UL508(industrial control equipment) approved
- EN61000-6-2(EN50082-2) industrial immunity level
- Built-in DC OK relay contact
- 100% full load burn-in test
- 3 years warranty

■ General Specification (Please refer to www.meanwell.com for detail spec.)

| Model No. | WDR-120 | WDR-240 | WDR-480 |
|---------------------------|--|--|---|
| AC input voltage range | 180~550VAC(single and two phase); 254~780VDC | | |
| AC input current | 0.55A / 400VAC, 1.2A / 230VAC | 1A / 400VAC, 2A / 230VAC | 1.6A / 400VAC, 4A / 230VAC |
| AC inrush current (max.) | Cold start, 50A at 400VAC | | |
| DC adjustment range | 12V: 12~15V, 24V: 24~29V, 48V: 48~58V | 24V: 24~28V, 48V: 48~55V | |
| Overload protection | 105%~130% rated output power, constant current limiting, auto-recovery | 105%~130% rated output power, constant current limiting, unit will shut down after 3 sec.; auto-recovery after 1 minute if the fault condition is removed. | |
| Over voltage protection | Range | 16~18V for 12V model (only for WDR-120), 29~33V for 24V model, 56~65V for 48V model | |
| | Type | Shut down o/p voltage, auto-recovery | |
| Setup, rise, hold up time | 2000ms, 70ms, 10ms at full load and 230VAC; 2000ms, 70ms, 50ms at full load and 400VAC | 1500ms, 150ms, 18ms at full load and 230VAC; 800ms, 150ms, 18ms at full load and 400VAC | 2000ms, 150ms, 16ms at full load and 230VAC; 800ms, 150ms, 18ms at full load and 400VAC |
| Over temp. protection | Shut down output voltage, recovers automatically after temperature goes down | | |
| Withstand voltage | I/P-O/P:3kVAC, I/P-FG:1.5kVAC, O/P-FG:0.5kVAC, O/P-DC OK:0.5kVAC, 1 minute | | |
| Isolation resistance | 100MΩ(min.)@500VDC | | |
| Working temperature | -25~+70°C (refer to output derating curve) | -30~+70°C (refer to output derating curve) | |
| DC OK signal | Relay Contact | | |
| Leakage current | <3.5mA at 530VAC | | |
| Vibration | 10~500Hz, 2G 10 minutes / 1 cycle, period of 60 minutes each along X, Y, Z axes | | |
| Safety standards | UL508 approved ; IEC60950-1 CB approved by SIQ ; Design refer to GL | | |
| EMC standards | EN55022 class B, EN61000-3-2,3, EN61000-4-2,3,4,5,6,8,11, EN61000-6-2 (EN50082-2), EN61204-3, heavy industry level | | |
| Connection | I/P: 3 poles, O/P: 4 poles screw DIN terminal | I/P: 3 poles, O/P: 6 poles screw DIN terminal | |
| Dimension (WxHxD)(mm) | 40x125.2x113.5 | 63x125.2x113.5 | 85.5x125.2x128.5 |
| Packing | 20pcs / 14kg | 12pcs / 13.7kg | 8pcs / 14.6kg |

■ WDR-120 Series



| Model No. | Output | Tol. | R&N | Effi. |
|------------|-------------|-------|-------|-------|
| WDR-120-12 | 12V, 0~10A | ±1.5% | 120mV | 89.5% |
| WDR-120-24 | 24V, 0~5A | ±1.0% | 120mV | 91% |
| WDR-120-48 | 48V, 0~2.5A | ±1.0% | 150mV | 92% |

■ WDR-480 Series



| Model No. | Output | Tol. | R&N | Effi. |
|------------|------------|-------|-------|-------|
| WDR-480-24 | 24V, 0~20A | ±1.0% | 100mV | 92% |
| WDR-480-48 | 48V, 0~10A | ±1.0% | 150mV | 93% |

■ WDR-240 Series



| Model No. | Output | Tol. | R&N | Effi. |
|------------|------------|-------|-------|-------|
| WDR-240-24 | 24V, 0~10A | ±1.0% | 150mV | 91% |
| WDR-240-48 | 48V, 0~5A | ±1.0% | 150mV | 91% |



Customer Satisfaction —

Today's effort, tomorrow's reward. Continuously improve CQTS to satisfy customer is our goal.



To satisfy our customers is our goal —

- High Quality
- Low Cost
- Prompt Delivery
- Best Service

960W High Input Voltage

Parallel



CASE: 214A 110x 125.2x 150 mm

- Input 340~550VAC, 3-phase
- **Width only 110mm**
- Built-in active PFC function
- **High efficiency up to 94.5%**
- Protections: Short circuit / Overload / Over voltage / Over temp.
- Cooling by free air convection
- Installed on DIN rail TS-35 / 7.5 or 15
- EN61000-6-2(EN50082-2) industrial immunity level
- Current sharing up to 3840W (3+1)
- Built-in DC OK relay contact
- 3 years warranty

AC input voltage range 340~550VAC, 3-phase (two phase operation possible)
 AC input current (Typ.)..... 2A / 400VAC, 1.4A / 500VAC
 AC inrush current Cold start, 60A at 400VAC
 DC adjustment range 24V: 24~28V, 48V: 48~55V
 Overload protection 105%~130% rated output power, constant current limiting, unit will shut down after 3 sec., re-power on to recover
 Over voltage protection 29~33V (24V model), 56~65V (48V model), shut down o/p voltage, re-power on to recover
 Over temperature..... Shut down o/p voltage, recovers automatically after temperature goes down
 Withstand voltage..... I/P-O/P:3kVAC I/P-FG:2kVAC O/P-FG:0.5kVAC O/P-DC OK: 0.5kVAC
 Working temperature -30~+70° C (refer to output derating curve)
 Safety standards..... UL508 approved; IEC60950-1 CB approved by SIQ
 EMC standards EN55022 class B, EN61000-3-2,3, EN61000-4-2,3,4,5,6,8,11, EN61000-6-2 (EN50082-2), EN61204-3, heavy industry level
 Connection I/P: 3 poles, O/P: 6 poles screw DIN terminal

| Model No. | Output | Tol. | R&N | Effi. |
|------------|------------|-------|-------|-------|
| TDR-960-24 | 24V, 0~40A | ±1.0% | 180mV | 94.0% |
| TDR-960-48 | 48V, 0~20A | ±1.0% | 250mV | 94.5% |

20A Power Supply Redundant Module



CASE: 923C 55.5x 125.2x 100 mm

- Suitable for redundant operation of 24V system
- Installed on DIN rail TS35 / 7.5 or 15
- Relay contact signal output and LED indicator for input failure alarm
- Cooling by free air convection
- 3 years warranty

DC input voltage range21~28V, 20A max. x 2 channels
 Reverse voltage 30V
 DC output current 20A max.
 DC output voltage drop 0.6V max.
 Input voltage alarm When input is >20V(±5%) and <30V(±5%), relay contacts
 Relay contact rating 30VDC, 1A
 Working temperature -40~+70° C
 Safety standard UL508 approved
 EMC standards EN55022 class B, EN61000-4-2,3,4,5,6,8,11
 Connection I/P: 4 poles, O/P: 2 poles screw DIN terminal, Single output: 4 poles

| Model No. | Output | Reverse Voltage | Current |
|-----------|----------|-----------------|----------|
| DR-RDN20 | 24V, 20A | 30V max. | 20A max. |

► Feature Description

DR-RDN-20 is a 20A redundancy (decoupling) module for the 24VDC power system. Containing 2 sets of 20A Or-ing diodes with wonderful heat dissipation deployment, DR-RDN20 offers a safe option of 1+1 redundant set-up. Not only perfectly decouple power sources from each other as well as from the load, DR-RDN-20 also provides users monitoring signals for both input channels through the built-in relays.

DR-UPS40 is a 40A max. DC UPS (battery control) module for the 24VDC power system. Accompany with external batteries, it can back-up up to 40A of current to critical loads for certain period of time depending on the capacity of batteries. With complete monitoring signals / LED indicators for DC BUS OK, Battery Fail, Battery Discharge, and the repeated Battery Test function to check the situation of external batteries, users can customize their own DC UPS system to back up critical loads and capture the status of the whole system easily.

40A DC UPS Module



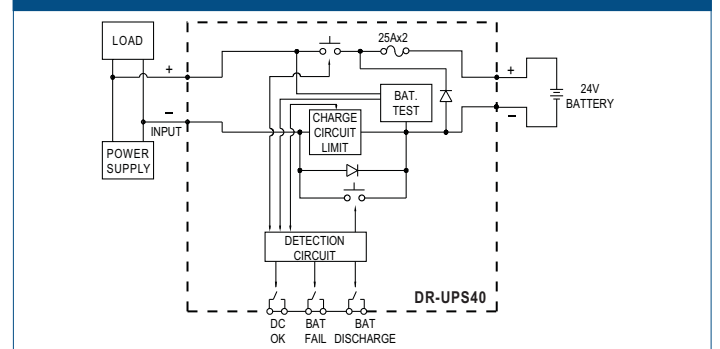
CASE: 923D 55.5x 125.2x 100 mm

- Battery controller for DIN rail UPS system
- Parallel connected to DC BUS
- Suitable for 24V system up to 40A
- Installed on DIN Rail TS35 / 7.5 or 15
- Built-in battery test function
- Battery polarity protection
- Relay contact signal output and LED indicator for DC BUS OK, Battery Fail, and Battery Discharge
- Cooling by free air convection
- 3 years warranty

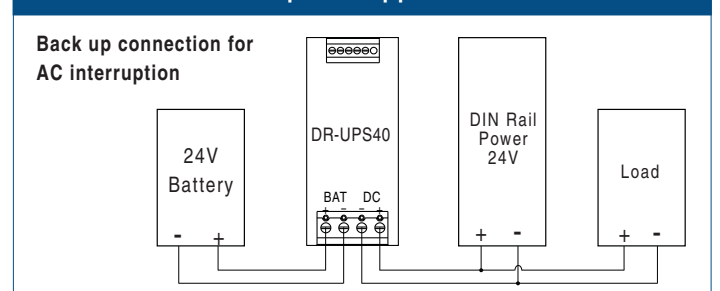
DC input / DC bus 24~29V, 40A max.
 Battery input voltage 21~29V
 Battery input Current 0~40A
 Charge current (typ.) 2A
 External battery (typ.) 24V, 4AH / 7AH / 12AH
 DC bus ok Relay status : Short when DC voltage between 21~29V(±3%), relay contacts
 LED(Green) : DC bus OK : light;
 DC bus fail : dark
 Battery fail Relay status : Short when battery failure is observed through the battery test function, relay contacts
 LED(Red) : Battery over-discharge warning or battery broken: light;
 Battery OK: dark
 Battery discharge Relay status : Short when battery in discharge condition, relay contacts
 LED(Yellow) : Battery discharging: light;
 Battery is not discharging or discharging current <2A: dark
 Working temperature -20~+70° C
 EMC standards EN55022 class B, EN61000-4-2,3,4,5,6,8,11
 Connection I/P: 2 poles, O/P: 2 poles screw DIN terminal, Single output: 6 poles

| Model No. | DC BUS Voltage | DC BUS Current |
|-----------|----------------|----------------|
| DR-UPS40 | 24~29V | 40A max. |

Block Diagram



Example of Application





Features

- Universal AC input / Full range
- Suitable for BF application with appropriate system consideration
- Medical safety approved (2xMOPP)
- Protections: Short circuit / Overload / Over voltage
- Low leakage current < 300μA (20W)
- No load power consumption <0.5W (<0.75W for 20W models)
- Fully isolated plastic case
- Isolation class II (5~15W)
- Cooling by free air convection
- Meet industrial, IT safety requirements
- 100% full load burn-in test
- 3 years warranty



| PM-05 / 10 / 15 Series | | | | PM-20 Series | |
|------------------------|----------|------------------|------------------|------------------|--|
| | | 5W | 10W | 15W | |
| | A | 2.475" (62.85mm) | 2.76" (70mm) | 2.95" (75mm) | |
| | B | 1.85" (47mm) | 2.13" (54mm) | 2.441" (62mm) | |
| | C | 0.306" (7.8mm) | 0.315" (8mm) | 0.256" (6.5mm) | |
| | D | 1.97" (50mm) | 1.97" (50mm) | 2.09" (53mm) | |
| | E | 0.689" (17.5mm) | 0.689" (17.5mm) | 0.788" (20mm) | |
| | F | 0.295" (7.5mm) | 0.295" (7.5mm) | 0.256" (6.5mm) | |
| | G | 0.789" (20.04mm) | 0.789" (20.04mm) | 0.906" (23.01mm) | |
| | H | 0.59" (15mm) | 0.59" (15mm) | 0.59" (15mm) | |
| | I | 0.776" (19.7mm) | 0.89" (22.7mm) | 0.89" (22.7mm) | |

General Specification

AC input voltage range 85~264VAC; 120~370VDC

Frequency range 47-440Hz

AC inrush current (max.) ... Cold start, 25A at 115VAC, 45A at 230VAC
(PM-15: 30A at 115VAC, 50A at 230VAC)
(PM-20: 30A at 115VAC, 65A at 230VAC)

Overload protection >105% hiccup mode, auto recovery

Over voltage protection 115%~135% rated output voltage, shut off,
AC recycle to re-start

Setup, rise, hold up time ... PM-5/15: 1000ms, 20ms, 100ms @ 230VAC
PM-10: 1800ms, 20ms, 100ms @ 230VAC
PM-20: 500ms, 20ms, 50ms @ 230VAC

Withstand voltage I/P-O/P: 4kVAC, 1 minute

Working temperature PM-5/10/15: -20~+70° C
PM-20: -20~+60° C

Safety standards ANSI/AAMI ES60601-1, TUV EN60601-1,
UL60950-1 (PM-15) approved

EMC standards EN55011, EN55022 class B, EN61000-3-2,3
EN61000-4-2,3,4,5,6,8,11, EN55024,
EN60601-1-2, EN61204-3 Medical level, criteria A

Connection 4 industrial pins (20W: 6 industrial pins)

Packing 0.085kg ; 120pcs / 11.2kg / 0.97CUFT(PM-05)
0.105kg ; 120pcs / 13.6kg / 0.97CUFT(PM-10)
0.14kg ; 120pcs / 17.8kg / 0.97CUFT(PM-15)
0.18kg ; 90pcs / 17.2kg / 0.97CUFT(PM-20)

PM-05 Series

| Model No. | Output | Tol. | R&N | Effi. |
|-----------|---------------|------|-------|-------|
| PM-05-3.3 | 3.3V, 0~1.25A | ±3% | 80mV | 67% |
| PM-05-5 | 5V, 0~1.00A | ±2% | 80mV | 71% |
| PM-05-12 | 12V, 0~0.42A | ±2% | 150mV | 73% |
| PM-05-15 | 15V, 0~0.33A | ±2% | 150mV | 74% |
| PM-05-24 | 24V, 0~0.23A | ±2% | 240mV | 76% |

PM-10 Series

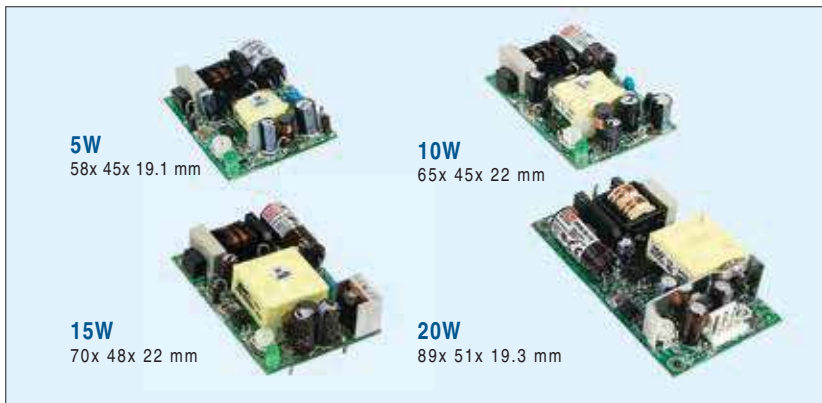
| Model No. | Output | Tol. | R&N | Effi. |
|-----------|---------------|------|-------|-------|
| PM-10-3.3 | 3.3V, 0~2.50A | ±3% | 150mV | 66% |
| PM-10-5 | 5V, 0~2.00A | ±2% | 150mV | 74% |
| PM-10-12 | 12V, 0~0.85A | ±2% | 150mV | 78% |
| PM-10-15 | 15V, 0~0.67A | ±2% | 150mV | 79% |
| PM-10-24 | 24V, 0~0.42A | ±2% | 240mV | 79% |

PM-15 Series

| Model No. | Output | Tol. | R&N | Effi. |
|-----------|---------------|------|-------|-------|
| PM-15-3.3 | 3.3V, 0~3.50A | ±3% | 80mV | 73% |
| PM-15-5 | 5V, 0~3.00A | ±2% | 80mV | 76% |
| PM-15-12 | 12V, 0~1.25A | ±2% | 150mV | 78% |
| PM-15-15 | 15V, 0~1.00A | ±2% | 150mV | 79% |
| PM-15-24 | 24V, 0~0.63A | ±2% | 240mV | 81% |

PM-20 Series

| Model No. | Output | Tol. | R&N | Effi. |
|-----------|---------------|------|-------|-------|
| PM-20-3.3 | 3.3V, 0~4.50A | ±3% | 80mV | 71% |
| PM-20-5 | 5V, 0~4.40A | ±2% | 80mV | 75% |
| PM-20-12 | 12V, 0~1.80A | ±2% | 150mV | 81% |
| PM-20-15 | 15V, 0~1.40A | ±2% | 150mV | 83% |
| PM-20-24 | 24V, 0~0.92A | ±2% | 240mV | 84% |



Features

- Universal AC input / Full range
- Suitable for BF application with appropriate system consideration
- Medical safety approved (2xMOPP)
- Protections:
 - Short circuit / Overload / Over voltage / Over temp.
- Low leakage current < 300µA (20W)
- No load power consumption <0.5W (<0.75W for 20W models)
- Isolation class II (5~15W)
- On-board type version available for 20W (optional)
- Cooling by free air convection
- Meet industrial, IT safety requirements
- 100% full load burn-in test
- 3 years warranty



| NFM-05 / 10 / 15 Series | | | | NFM-20 Series | | | | | | | | | | | | | | | | | | | | | | | | | | | | | | | | | | | | | | | | | |
|-------------------------|------------------|---|------------------|---------------|----|-----|-----|---|--------------|--------------|--------------|---|-----------------|-----------------|---------------|---|----------------|---------------|--------------|---|--------------|--------------|---------------|---|----------------|--------------|-----------------|---|------------------|------------------|-----------------|---|------------------|------------------|------------------|---|--------------|--------------|--------------|---|----------------|--------------|--------------|--|--|
| | | <table border="1"> <thead> <tr> <th></th> <th>5W</th> <th>10W</th> <th>15W</th> </tr> </thead> <tbody> <tr> <td>A</td> <td>1.77" (45mm)</td> <td>1.77" (45mm)</td> <td>1.89" (48mm)</td> </tr> <tr> <td>B</td> <td>0.689" (17.5mm)</td> <td>0.689" (17.5mm)</td> <td>0.788" (20mm)</td> </tr> <tr> <td>C</td> <td>0.21" (5.33mm)</td> <td>0.22" (5.5mm)</td> <td>0.157" (4mm)</td> </tr> <tr> <td>D</td> <td>1.85" (47mm)</td> <td>2.13" (54mm)</td> <td>2.441" (62mm)</td> </tr> <tr> <td>E</td> <td>2.28" (57.9mm)</td> <td>2.56" (65mm)</td> <td>2.75" (69.85mm)</td> </tr> <tr> <td>F</td> <td>0.491" (12.47mm)</td> <td>0.491" (12.47mm)</td> <td>0.492" (12.5mm)</td> </tr> <tr> <td>G</td> <td>0.789" (20.04mm)</td> <td>0.789" (20.04mm)</td> <td>0.906" (23.01mm)</td> </tr> <tr> <td>H</td> <td>0.196" (5mm)</td> <td>0.196" (5mm)</td> <td>0.157" (4mm)</td> </tr> <tr> <td>I</td> <td>0.75" (19.1mm)</td> <td>0.87" (22mm)</td> <td>0.87" (22mm)</td> </tr> </tbody> </table> | | | 5W | 10W | 15W | A | 1.77" (45mm) | 1.77" (45mm) | 1.89" (48mm) | B | 0.689" (17.5mm) | 0.689" (17.5mm) | 0.788" (20mm) | C | 0.21" (5.33mm) | 0.22" (5.5mm) | 0.157" (4mm) | D | 1.85" (47mm) | 2.13" (54mm) | 2.441" (62mm) | E | 2.28" (57.9mm) | 2.56" (65mm) | 2.75" (69.85mm) | F | 0.491" (12.47mm) | 0.491" (12.47mm) | 0.492" (12.5mm) | G | 0.789" (20.04mm) | 0.789" (20.04mm) | 0.906" (23.01mm) | H | 0.196" (5mm) | 0.196" (5mm) | 0.157" (4mm) | I | 0.75" (19.1mm) | 0.87" (22mm) | 0.87" (22mm) | | |
| | 5W | 10W | 15W | | | | | | | | | | | | | | | | | | | | | | | | | | | | | | | | | | | | | | | | | | |
| A | 1.77" (45mm) | 1.77" (45mm) | 1.89" (48mm) | | | | | | | | | | | | | | | | | | | | | | | | | | | | | | | | | | | | | | | | | | |
| B | 0.689" (17.5mm) | 0.689" (17.5mm) | 0.788" (20mm) | | | | | | | | | | | | | | | | | | | | | | | | | | | | | | | | | | | | | | | | | | |
| C | 0.21" (5.33mm) | 0.22" (5.5mm) | 0.157" (4mm) | | | | | | | | | | | | | | | | | | | | | | | | | | | | | | | | | | | | | | | | | | |
| D | 1.85" (47mm) | 2.13" (54mm) | 2.441" (62mm) | | | | | | | | | | | | | | | | | | | | | | | | | | | | | | | | | | | | | | | | | | |
| E | 2.28" (57.9mm) | 2.56" (65mm) | 2.75" (69.85mm) | | | | | | | | | | | | | | | | | | | | | | | | | | | | | | | | | | | | | | | | | | |
| F | 0.491" (12.47mm) | 0.491" (12.47mm) | 0.492" (12.5mm) | | | | | | | | | | | | | | | | | | | | | | | | | | | | | | | | | | | | | | | | | | |
| G | 0.789" (20.04mm) | 0.789" (20.04mm) | 0.906" (23.01mm) | | | | | | | | | | | | | | | | | | | | | | | | | | | | | | | | | | | | | | | | | | |
| H | 0.196" (5mm) | 0.196" (5mm) | 0.157" (4mm) | | | | | | | | | | | | | | | | | | | | | | | | | | | | | | | | | | | | | | | | | | |
| I | 0.75" (19.1mm) | 0.87" (22mm) | 0.87" (22mm) | | | | | | | | | | | | | | | | | | | | | | | | | | | | | | | | | | | | | | | | | | |

General Specification

AC input voltage range 85~264VAC; 120~370VDC
 Frequency range 47-440Hz
 AC inrush current (max.) Cold start, 25A at 115VAC, 45A at 230VAC
 (NFM-15: 30A at 115VAC, 50A at 230VAC)
 (NFM-20: 30A at 115VAC, 65A at 230VAC)
 DC adjustment range ±10% rated output voltage
 Overload protection >105% hiccup mode, auto recovery
 Over voltage protection 115%~135% rated output voltage, shut off,
 AC recycle to re-start
 Over temp. protection Shutdown o/p voltage, recovers automatically
 after temperature goes down
 Setup, rise, hold up time NFM-5/15: 1000ms, 20ms, 100ms @ 230VAC
 NFM-10: 1800ms, 20ms, 100ms @ 230VAC
 NFM-20: 500ms, 20ms, 50ms @ 230VAC
 Withstand voltage I/P-O/P: 4kVAC, 1 minute
 Working temperature NFM-5/10/15: -20~+70°C
 NFM-20: -20~+60°C
 Safety standards ANSI/AAMI ES60601-1, TUV EN60601-1,
 UL60950-1 (NFM-15) approved
 EMC standards EN55011, EN55022 class B, EN61000-3-2,3
 EN61000-4-2,3,4,5,6,8,11, EN55024,
 EN60601-1-2, EN61204-3 Medical level,
 criteria A
 Connection 4 industrial pins for 5~15W
 3P/4P/3.96mm pitch, Molex 41791-03/04 for 20W
 Packing 0.03kg ; 120pcs / 4.6kg / 0.97CUFT(NFM-05)
 0.045kg ; 120pcs / 6.4kg / 0.97CUFT(NFM-10)
 0.065kg ; 120pcs / 8.8kg / 0.97CUFT(NFM-15)
 0.09kg ; 105pcs / 10.5kg / 0.97CUFT(NFM-20)

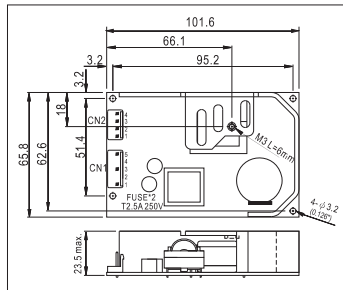
| 5W | | NFM-05 | | |
|------------|---------------|--------|-------|-------|
| Model No. | Output | Tol. | R&N | Effi. |
| NFM-05-3.3 | 3.3V, 0~1.25A | ±2% | 80mV | 67% |
| NFM-05-5 | 5V, 0~1.00A | ±2% | 80mV | 71% |
| NFM-05-12 | 12V, 0~0.42A | ±1% | 150mV | 73% |
| NFM-05-15 | 15V, 0~0.33A | ±1% | 150mV | 74% |
| NFM-05-24 | 24V, 0~0.23A | ±1% | 240mV | 76% |
| 10W | | NFM-10 | | |
| Model No. | Output | Tol. | R&N | Effi. |
| NFM-10-3.3 | 3.3V, 0~2.50A | ±2% | 150mV | 66% |
| NFM-10-5 | 5V, 0~2.00A | ±2% | 150mV | 74% |
| NFM-10-12 | 12V, 0~0.85A | ±1% | 150mV | 78% |
| NFM-10-15 | 15V, 0~0.67A | ±1% | 150mV | 79% |
| NFM-10-24 | 24V, 0~0.42A | ±1% | 240mV | 79% |
| 15W | | NFM-15 | | |
| Model No. | Output | Tol. | R&N | Effi. |
| NFM-15-3.3 | 3.3V, 0~3.50A | ±2% | 80mV | 73% |
| NFM-15-5 | 5V, 0~3.00A | ±2% | 80mV | 76% |
| NFM-15-12 | 12V, 0~1.25A | ±1% | 150mV | 78% |
| NFM-15-15 | 15V, 0~1.00A | ±1% | 150mV | 79% |
| NFM-15-24 | 24V, 0~0.63A | ±1% | 240mV | 81% |
| 20W | | NFM-20 | | |
| Model No. | Output | Tol. | R&N | Effi. |
| NFM-20-3.3 | 3.3V, 0~4.50A | ±2% | 80mV | 71% |
| NFM-20-5 | 5V, 0~4.40A | ±2% | 80mV | 75% |
| NFM-20-12 | 12V, 0~1.80A | ±1% | 150mV | 81% |
| NFM-20-15 | 15V, 0~1.40A | ±1% | 150mV | 83% |
| NFM-20-24 | 24V, 0~0.92A | ±1% | 240mV | 84% |

30W Single Output Medical Type

- Universal AC input / Full range
- Medical safety approved (2xMOPP)
- Protections: Short circuit / Overload / Over voltage / Over temp.
- Low leakage current $\leq 200\mu\text{A}$
- Compact size, low profile
- 100% full load burn-in test
- 3 years warranty



101.6x 65.8x 23.5 mm



AC input voltage range 88~264VAC; 120~370VDC
 Overload protection >105% hiccup mode, auto-recovery
 Over voltage protection ... 110%~135% rated output voltage
 Leakage current Less than 200 μA at 264VAC
 Withstand voltage I/P-O/P: 4kVAC, I/P-FG:2kVAC, 1minute
 Working temperature -10~+60°C (refer to output derating curve)
 Safety standards ANSI/AAMI ES60601-1, TUV EN60601-1, IEC60601-1 approved
 EMC standards EN55011 class B, EN60601-1-2, EN61000-3-2,3, EN61000-4-2,3,4,5,6,8,11
 Connection 5+4P/ 3.96mm pitch, Molex P/N: 41791-05,04
 Packing 0.16kg ; 90pcs / 15.8kg / 1.02CUFT

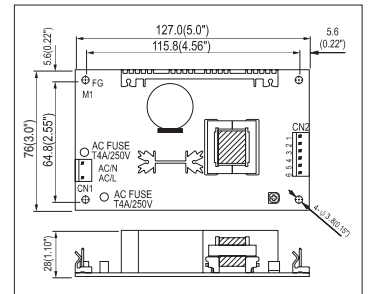
| Model No. | Output | Tol. | R&N | Effi. |
|-----------|-------------|-----------|-------|-------|
| MPS-30-5 | 5V, 0~5.0A | $\pm 3\%$ | 80mV | 72% |
| MPS-30-12 | 12V, 0~2.5A | $\pm 3\%$ | 120mV | 75% |
| MPS-30-15 | 15V, 0~2.0A | $\pm 3\%$ | 150mV | 76% |
| MPS-30-24 | 24V, 0~1.2A | $\pm 3\%$ | 240mV | 77% |
| MPS-30-27 | 27V, 0~1.1A | $\pm 3\%$ | 240mV | 78% |
| MPS-30-48 | 48V, 0~0.6A | $\pm 2\%$ | 240mV | 78% |

45W 1~3 Output Medical Type

- Universal AC input / Full range
- Medical safety approved (2xMOPP)
- Protections: Short circuit / Overload / Over voltage
- Low leakage current $\leq 250\mu\text{A}$
- Approvals: UL / CUL / TUV / CB / CE
- Fixed switching frequency at 45kHz
- 100% full load burn-in test
- 3 years warranty



127x 76x 28 mm



AC input voltage range 90~264VAC; 120~370VDC
 AC inrush current Cold start, 17A at 115VAC, 35A at 230VAC
 DC adjustment range CH1: $\pm 10\%$ rated output voltage
 Overload protection 53~75W hiccup mode, auto-recovery
 Over voltage protection ... CH1: 115%~135% rated output voltage
 Leakage current Less than 250 μA at 264VAC
 Setup, rise, hold up time .. 800ms, 30ms, 50ms at full load and 230VAC
 Withstand voltage I/P-O/P: 4kVAC, I/P-FG: 2kVAC, 1 minute
 Working temperature -10~+60°C (refer to output derating curve)
 Safety standards ANSI/AAMI ES60601-1, TUV EN60601-1, IEC60601-1 approved
 EMC standards EN55011 class B, EN61000-4-2,3,4,5,6,8,11, EN61000-3-2,3, EN60601-1-2
 Connection 2P,6P/ 3.96mm pitch, Molex P/N: 5277-02, 5273-06
 Packing 0.18kg ; 72pcs/ 15.1kg / 1.35CUFT (MPS-45)
 0.20kg ; 72pcs/ 17.4kg / 1.35CUFT (MPD-45)
 0.21kg ; 72pcs/ 18.0kg / 1.35CUFT (MPT-45)

Single Output

| Model No. | Output | Tol. | R&N | Effi. |
|-------------|---------------|-----------|-------|-------|
| MPS-45-3.3 | 3.3V, 0~8.0A | $\pm 3\%$ | 80mV | 65% |
| MPS-45-5 | 5V, 0~8.0A | $\pm 3\%$ | 100mV | 72% |
| MPS-45-7.5 | 7.5V, 0~5.4A | $\pm 3\%$ | 100mV | 75% |
| MPS-45-12 | 12V, 0~3.7A | $\pm 2\%$ | 100mV | 76% |
| MPS-45-13.5 | 13.5V, 0~3.3A | $\pm 2\%$ | 100mV | 76% |
| MPS-45-15 | 15V, 0~3.0A | $\pm 2\%$ | 100mV | 77% |
| MPS-45-24 | 24V, 0~1.9A | $\pm 2\%$ | 100mV | 78% |
| MPS-45-27 | 27V, 0~1.7A | $\pm 2\%$ | 100mV | 78% |
| MPS-45-48 | 48V, 0~1.0A | $\pm 2\%$ | 100mV | 78% |

Dual Output

| Model No. | Output | Tol. | R&N | Effi. | Max. |
|-----------|---------------|-----------|-------|-------|------|
| MPD-45A | 5V, 0.4~5.0A | $\pm 4\%$ | 60mV | 76% | 40W |
| | 12V, 0.2~2.5A | $\pm 7\%$ | 120mV | | |
| MPD-45B | 5V, 0.4~5.0A | $\pm 4\%$ | 60mV | 78% | 45W |
| | 24V, 0.2~1.8A | $\pm 7\%$ | 150mV | | |

Triple Output

| Model No. | Output | Tol. | R&N | Effi. | Max. |
|-----------|----------------|-----------|-------|-------|------|
| MPT-45A | 5V, 0.4~5.0A | $\pm 4\%$ | 60mV | 73% | 41W |
| | 12V, 0.2~2.5A | $\pm 7\%$ | 120mV | | |
| | -5V, 0.0~0.5A | $\pm 5\%$ | 60mV | | |
| MPT-45B | 5V, 0.4~5.0A | $\pm 4\%$ | 60mV | 75% | 43W |
| | 12V, 0.2~2.5A | $\pm 7\%$ | 120mV | | |
| | -12V, 0.0~0.5A | $\pm 5\%$ | 100mV | | |
| MPT-45C | 5V, 0.4~5.0A | $\pm 4\%$ | 60mV | 75% | 44W |
| | 15V, 0.2~2.3A | $\pm 7\%$ | 120mV | | |
| | -15V, 0.0~0.5A | $\pm 5\%$ | 100mV | | |

Under Development

IRM-45 Series

45W AC/DC Miniature Encapsulated Type



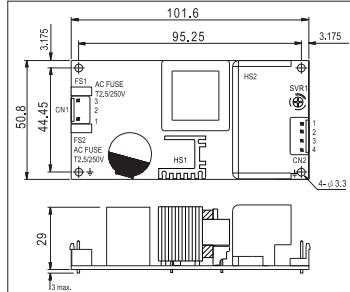
- Universal AC input / Full range
- Miniature size, high power density
- No load power consumption < 0.1W
- High efficiency up to 90%
- Isolation Class II
- Withstand 5G vibration test
- Fully isolated plastic case
- Protection: Short circuit / Overload / Over voltage
- Cooling by free air convection
- Design refer to UL60950-1, TUV EN60950-1
- Optional screw terminal I/O connection models
- Output models: 5V / 12V / 15V / 24V / 48V
- Dimension(LxWxH): 87x 52x 29.5mm
- 3 years warranty

60W 1~3 Output Medical Type

- 4"x2" compact size
- Universal AC input / Full range
- Medical safety approved (2xMOPP)
- Suitable for BF application with appropriate system consideration
- Protections: Short circuit / Overload / Over voltage
- Low leakage current <150µA
- No load power consumption <0.75W (single output models only)
- 110% peak load capability
- High power density 6.57W/in³
- Cooling by free air convection
- 3 years warranty
- Suitable for medical & IT applications



101.6x 50.8x 29 mm



AC input voltage range90~264VAC; 127~370VDC
 AC inrush currentCold start, 30A at 115VAC, 60A at 230VAC
 DC adjustment range-5%~+10% rated output voltage (single output only)
 Overload protection115%~150% hiccup mode, auto-recovery
 Over voltage protection CH1: 110%~135% rated output voltage
 Leakage currentLess than 150µA at 264VAC
 Setup, rise, hold up time .. 500ms, 30ms, 50ms at full load and 230VAC (RPS-60)
 200ms, 15ms, 70ms at full load and 230VAC (RPD/T-60)
 Withstand voltage I/P-O/P: 4kVAC, I/P-FG: 2kVAC, 1 minute
 Working temperature-20~+70° C (RPS-60, refer to output derating curve)
 -20~+65° C (RPD/T-60, refer to output derating curve)
 Safety standardsANSI/AAMI ES60601-1, UL60950-1,
 TUV EN60601-1, EN60950-1 approved
 EMC standards EN55011 / EN55022 class B, EN61000-3-2,3,
 EN61000-4-2,3,4,5,6,8,11, EN60601-1-2,
 EN61204-3 medical level
 Connection3,4P / 3.96mm pitch, JST P/N: B3P / B4P-VH (RPS-60)
 3,6P / 3.96mm pitch, JST P/N: B3P / B6P-VH (RPD/T-60)
 Packing 0.15kg ; 96pcs / 15.4kg / 0.89CUFT

Single Output

| Model No. | Output | Tol. | R&N | Effi. |
|------------|---------------|------|-------|-------|
| RPS-60-3.3 | 3.3V, 0~11A | ±2% | 80mV | 74% |
| RPS-60-5 | 5V, 0~11A | ±2% | 80mV | 79% |
| RPS-60-12 | 12V, 0~5.5A | ±2% | 120mV | 83% |
| RPS-60-15 | 15V, 0~4.4A | ±2% | 150mV | 84% |
| RPS-60-24 | 24V, 0~2.75A | ±1% | 240mV | 85% |
| RPS-60-48 | 48V, 0~1.375A | ±1% | 300mV | 86% |

Dual Output

| Model No. | Output | Tol. | R&N | Effi. | Max. |
|-----------|----------------|---------|-------|-------|------|
| RPD-60A | 5V, 0.5~5.5A | +3%,-2% | 80mV | 78% | 54W |
| | 12V, 0.1~2.2A | ±6% | 80mV | | |
| RPD-60B | 5V, 0.5~3.85A | +3%,-2% | 80mV | 82% | 59W |
| | 24V, 0.1~1.65A | +8%,-4% | 100mV | | |

Triple Output

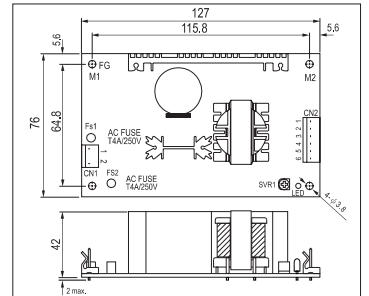
| Model No. | Output | Tol. | R&N | Effi. | Max. |
|-----------|-----------------|----------|-------|-------|------|
| RPT-60A | 5V, 0.5~4.4A | +3%,-2% | 80mV | 77% | 51W |
| | 12V, 0.1~2.2A | ±6% | 80mV | | |
| RPT-60B | -5V, 0.1~0.55A | +9%,-8% | 80mV | | |
| | 5V, 0.5~4.4A | +3%,-2% | 80mV | 78% | 55W |
| | 12V, 0.1~2.2A | ±6% | 80mV | | |
| RPT-60C | -12V, 0.1~0.55A | +10%,-6% | 100mV | | |
| | 5V, 0.5~4.4A | +3%,-2% | 80mV | 79% | 55W |
| | 15V, 0.1~0.65A | ±6% | 100mV | | |
| RPT-60D | -15V, 0.1~0.55A | ±8% | 150mV | | |
| | 5V, 0.5~3.85A | +3%,-2% | 80mV | 79% | 52W |
| | 24V, 0.1~1.1A | ±6% | 150mV | | |
| RPT-6003 | 12V, 0.1~0.55A | ±8% | 80mV | | |
| | 3.3V, 0.5~5.5A | +3%,-2% | 80mV | 75% | 44W |
| | 5V, 0.3~3.3A | ±8% | 80mV | | |
| | 12V, 0.1~0.77A | +10%,-6% | 80mV | | |

65W 1~3 Output Medical Type

- Universal AC input / Full range
- Medical safety approved (2xMOPP)
- Protections: Short circuit / Overload / Over voltage
- Low leakage current ≤250µA
- Fixed switching frequency at 45kHz
- 100% full load burn-in test
- 3 years warranty



127x 76x 42 mm



AC input voltage range 90~264VAC; 127~370VDC
 AC inrush current Cold start, 17A at 115VAC, 35A at 230VAC
 DC adjustment range CH1: ±10% rated output voltage
 Overload protection 73%~105% hiccup mode, auto-recovery
 Over voltage protection CH1: 115%~135% rated output voltage
 Leakage current Less than 250µA at 264VAC
 Setup, rise, hold up time .. 800ms, 30ms, 50ms at full load and 230VAC
 Withstand voltage I/P-O/P: 4kVAC, I/P-FG: 2kVAC, 1 minute
 Working temperature -10~+60° C (refer to output derating curve)
 Safety standards ANSI/AAMI ES60601-1, TUV EN60601-1 approved
 EMC standards EN55011 class B, EN61000-4-2,3,4,5,6,8,11,
 EN61000-3-2,3, EN60601-1-2
 Connection 2P, 6P/ 3.96mm pitch, Molex: 5277-02, 5273-06
 Packing 0.23kg ; 54pcs/ 14.6kg / 1.35CUFT (MPS-65)
 0.25kg ; 54pcs/ 16.0kg / 1.35CUFT (MPD-65)
 0.27kg ; 54pcs/ 16.8kg / 1.35CUFT (MPT-65)

Single Output

| Model No. | Output | Tol. | R&N | Effi. |
|-------------|---------------|------|-------|-------|
| MPS-65-3.3 | 3.3V, 0~12A | ±3% | 80mV | 66% |
| MPS-65-5 | 5V, 0~12A | ±3% | 100mV | 74% |
| MPS-65-7.5 | 7.5V, 0~8.0A | ±3% | 100mV | 76% |
| MPS-65-12 | 12V, 0~5.2A | ±2% | 100mV | 77% |
| MPS-65-13.5 | 13.5V, 0~4.7A | ±2% | 100mV | 78% |
| MPS-65-15 | 15V, 0~4.2A | ±2% | 100mV | 79% |
| MPS-65-24 | 24V, 0~2.7A | ±2% | 100mV | 80% |
| MPS-65-27 | 27V, 0~2.4A | ±2% | 100mV | 80% |
| MPS-65-48 | 48V, 0~1.35A | ±2% | 100mV | 80% |

Dual Output

| Model No. | Output | Tol. | R&N | Effi. | Max. |
|-----------|---------------|------|-------|-------|------|
| MPD-65A | 5V, 0.4~7.0A | ±4% | 60mV | 75% | 61W |
| | 12V, 0.2~3.2A | ±7% | 150mV | | |
| MPD-65B | 5V, 0.4~6.0A | ±4% | 60mV | 78% | 66W |
| | 24V, 0.2~2.6A | ±7% | 150mV | | |

Triple Output

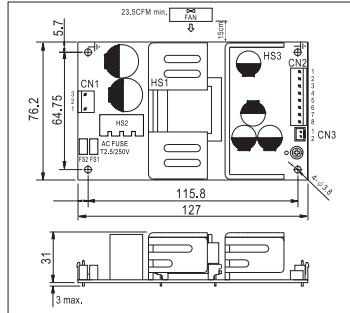
| Model No. | Output | Tol. | R&N | Effi. | Max. |
|-----------|----------------|----------|-------|-------|------|
| MPT-65A | 5V, 0.4~7.0A | ±4% | 60mV | 74% | 60W |
| | 12V, 0.2~3.2A | +10%,-7% | 120mV | | |
| | -5V, 0.0~0.7A | ±5% | 60mV | | |
| MPT-65B | 5V, 0.4~7.0A | ±4% | 60mV | 74% | 64W |
| | 12V, 0.2~3.2A | +10%,-7% | 160mV | | |
| | -12V, 0.0~0.7A | ±5% | 100mV | | |
| MPT-65C | 5V, 0.4~7.0A | ±4% | 60mV | 74% | 65W |
| | 15V, 0.2~2.6A | +10%,-7% | 180mV | | |
| | -15V, 0.0~0.7A | ±5% | 100mV | | |

75W 1~3 Output Medical Type

- Universal AC input / Full range
- Medical safety approved (2xMOPP)
- Protections: Short circuit / Overload / Over voltage
- No load power consumption <0.75W (single output models only)
- Low leakage current <150µA
- Fixed switching frequency at 65kHz
- Free air convection for 75W and 100W with 23.5CFM forced air
- 3 years warranty
- **Suitable for medical & IT applications**



127x 76.2x 31 mm



AC input voltage range 90~264VAC; 127~370VDC
 AC inrush current Cold start, 25A at 115VAC, 50A at 230VAC
 DC adjustment range CH1: -5%~+10% rated output voltage
 Overload protection 140%~180% hiccup mode, auto-recovery
 Over voltage protection CH1: 115%~135% rated output voltage
 Leakage current Less than 150µA at 264VAC
 Setup, rise, hold up time 500ms, 30ms, 80ms at full load and 230VAC
 Withstand voltage I/P-O/P: 4kVAC, I/P-FG: 2kVAC, 1 minute
 Working temperature -20~+70°C (refer to output derating curve)
 Safety standards ANSI/AAMI ES60601-1, TUV EN60601-1 approved
 EMC standards EN55011 / EN55022 class B, EN61000-3-2,3, EN61000-4-2,3,4,5,6,8,11, EN61000-6-2, EN60601-1-2, EN61204-3 medical level
 Connection 3+8P / 3.96mm pitch, JST P/N: B3P / B8P-VH
 Packing 0.26kg ; 63pcs / 16.3kg / 1.35CUFT(RPS-75)
 0.25kg ; 63pcs / 16.7kg / 1.35CUFT(RPD-75)
 0.26kg ; 63pcs / 17.4kg / 1.35CUFT(RPT-75)

Single Output

| Model No. | Output | Tol. | R&N | Effi. |
|------------|-------------|------|-------|-------|
| RPS-75-3.3 | 3.3V, 0~20A | ±2% | 80mV | 73% |
| RPS-75-5 | 5V, 0~18.7A | ±2% | 80mV | 78% |
| RPS-75-12 | 12V, 0~8.3A | ±1% | 120mV | 82% |
| RPS-75-15 | 15V, 0~6.7A | ±1% | 150mV | 83% |
| RPS-75-24 | 24V, 0~4.2A | ±1% | 240mV | 85% |
| RPS-75-36 | 36V, 0~2.8A | ±1% | 300mV | 86% |
| RPS-75-48 | 48V, 0~2.1A | ±1% | 300mV | 86% |

Dual Output

| Model No. | Output | Tol. | R&N | Effi. | Max. |
|-----------|---------------|------|-------|-------|------|
| RPD-75A | 5V, 1.0~9.5A | ±2% | 80mV | 77% | 96W |
| | 12V, 0.3~4.0A | ±6% | 120mV | | |
| RPD-75B | 5V, 1.0~6.8A | ±2% | 80mV | 79% | 99W |
| | 24V, 0.2~2.7A | ±6% | 200mV | | |

Triple Output

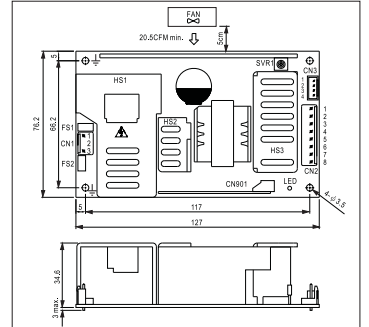
| Model No. | Output | Tol. | R&N | Effi. | Max. |
|-----------|----------------|----------|-------|-------|------|
| RPT-75A | 5V, 0.6~8.0A | ±2% | 80mV | 76% | 93W |
| | 12V, 0.2~4.0A | ±6% | 120mV | | |
| | -5V, 0.1~1.0A | ±5% | 120mV | | |
| RPT-75B | 5V, 0.6~8.0A | ±2% | 80mV | 77% | 100W |
| | 12V, 0.2~4.0A | ±6% | 120mV | | |
| RPT-75C | 5V, 0.6~8.0A | ±2% | 80mV | 77% | 100W |
| | 15V, 0.1~3.0A | ±8% | 150mV | | |
| | -15V, 0.1~1.0A | ±5% | 150mV | | |
| RPT-75D | 5V, 0.6~7.0A | ±2% | 80mV | 79% | 95W |
| | 24V, 0.1~2.0A | ±8% | 200mV | | |
| RPT-7503 | 12V, 0.1~1.0A | ±8% | 120mV | | |
| | 3.3V, 0.7~7.0A | ±4% | 80mV | 74% | 81W |
| | 5V, 0.0~8.0A | ±6% | 120mV | | |
| | 12V, 0.0~1.5A | +10%,-6% | 120mV | | |

160W 1~3 Output Medical Type with PFC

- Universal AC input / Full range
- Medical safety approved (2xMOPP)
- Suitable for BF application with appropriate system consideration
- Built-in active PFC function
- Protections: Short circuit / Overload / Over voltage / Over temp.
- Low leakage current <200µA
- Free air convection for 110W and 160W with 20.5 CFM forced air (RPS-160); Free air convection for 100W and 150W with 20.5 CFM forced air (RPD / T-160)
- 5"x3" compact size
- With power good and fail signal output
- Built-in remote sense function for 5~15V (RPS-160)
- Standby 5V@0.8A (G model)
- No load power consumption under 0.75W by PS-ON control (G model)
- 3 years warranty
- **Suitable for medical & IT applications**



127x 76.2x 34.6mm



AC input voltage range 90~264VAC; 127~370VDC
 AC inrush current Cold start, 35A at 115VAC, 70A at 230VAC
 DC adjustment range RPS-160: ±10% rated output voltage
 RPD/T-160: 0~+10% for CH1
 Overload protection 105%~135% hiccup mode, auto-recovery
 Over voltage protection CH1: 115%~135% shut off, re-power on to recovery
 Leakage current Less than 200µA at 264VAC
 Setup, rise, hold up time 1800ms, 30ms, 16ms at full load and 230VAC
 Withstand voltage I/P-O/P: 4kVAC, I/P-FG: 2kVAC, 1 minute
 Working temperature -20~+70°C (refer to output derating curve)
 Safety standards ANSI/AAMI ES60601-1, TUV EN60601-1 approved
 EMC standards EN55011/EN55022 class B, EN61000-4-2,3,4,5,6,8,11, EN61000-3-2,3, EN60601-1-2, EN61000-6-2 (RPS(G)-160)
 Connection 3+8+2(4)P/3.96mm pitch JST B3P / B8P-VH, B2B (B4B)-XH

Single Output

| Model No. | Output | Tol. | R&N | Effi. |
|-------------|--------------|------|-------|-------|
| RPS□-160-5 | 5V, 0~30.0A | ±4% | 100mV | 85% |
| RPS□-160-12 | 12V, 0~12.9A | ±3% | 100mV | 87% |
| RPS□-160-15 | 15V, 0~10.3A | ±3% | 120mV | 87% |
| RPS□-160-24 | 24V, 0~6.5A | ±2% | 150mV | 87% |
| RPS□-160-48 | 48V, 0~3.25A | ±2% | 250mV | 88% |

Dual Output

| Model No. | Output | Tol. | R&N | Effi. | Max. |
|-----------|---------------|-------|-------|-------|------|
| RPD□-160B | 5V, 1.0~12A | ±2.5% | 80mV | 84% | 150W |
| | 24V, 0.2~3.6A | ±6% | 200mV | | |

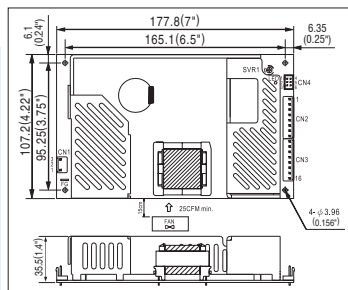
Triple Output

| Model No. | Output | Tol. | R&N | Effi. | Max. |
|-----------|----------------|---------|-------|-------|------|
| RPT□-160A | 5V, 0.6~14A | ±2% | 100mV | 84% | 145W |
| | 12V, 0.2~5.5A | ±5% | 120mV | | |
| | -5V, 0.1~1.0A | -5%,+7% | 120mV | | |
| RPT□-160B | 5V, 0.6~14A | ±2% | 100mV | 84% | 146W |
| | 12V, 0.2~5.0A | ±5% | 120mV | | |
| | -12V, 0.1~1.0A | -4%,+5% | 120mV | | |
| RPT□-160C | 5V, 0.6~14A | ±2% | 100mV | 83% | 143W |
| | 15V, 0.1~3.6A | ±4% | 150mV | | |
| | -15V, 0.1~1.0A | ±8% | 150mV | | |
| RPT□-160D | 5V, 0.3~11A | ±2% | 100mV | 83% | 148W |
| | 12V, 0.2~5.0A | ±5% | 120mV | | |
| | 24V, 0.15~1.2A | -5%,+7% | 200mV | | |

□ = blank, G; blank: basic function, G: with 5Vsb/0.8A & no load power consumption < 0.75W

200W 1~4 Output Medical Type with PFC

- Universal AC input / Full range
- Medical safety approved (2xMOPP)
- Suitable for BF application with appropriate system consideration
- Built-in active PFC function
- Protections: Short circuit / Overload / Over voltage / Over temp.
- Low leakage current $\leq 180\mu\text{A}$
- With P.G. and P.F. signal output
- Built-in remote sense and remote ON/OFF control
- 140W free air convection, 200W with 25CFM forced air
- 100% full load burn-in test
- 3 years warranty
- **Suitable for medical & IT applications**



- AC input voltage range 90~264VAC; 127~370VDC
 AC inrush current Cold start, 35A at 115VAC, 60A at 230VAC
 DC adjustment range CH1: -5~+10% rated output voltage
 Overload protection 110%~160% hiccup mode, auto-recovery
 Over voltage protection CH1: 115%~140% rated output voltage
 Leakage current Less than 180 μA at 264VAC
 Setup, rise, hold up time 1000ms, 20ms, 16ms at full load and 230VAC
 Withstand voltage I/P-O/P: 4kVAC, I/P-FG: 1.5kVAC, 1 minute
 Working temperature -20~+70°C (refer to output derating curve)
 Safety standards ANSI/AAMI ES60601-1, TUV EN60601-1, IEC60601-1 approved; Design refer to UL60950-1, TUV EN60950-1
 EMC standards EN55011/EN55022 class B, EN61000-4-2,3,4,5,6,8,11, EN61000-3-2,3, EN60601-1-2, EN61000-6-2
 Connection 3P, 20P / 3.96mm pitch, JST B3P/VH, Molex 5566-20 3P, 8Px2 / 3.96mm pitch, JSTB3P / B8Px2-VH
 Packing 0.66kg ; 24pcs / 16.8kg / 0.99CUFT

Single Output

| Model No. | Output | Tol. | R&N | Effi. |
|-------------|--------------|-----------|-------|-------|
| MPS-200-3.3 | 3.3V, 0~40A | $\pm 2\%$ | 80mV | 77% |
| MPS-200-5 | 5V, 0~40A | $\pm 2\%$ | 80mV | 81% |
| MPS-200-12 | 12V, 0~16.7A | $\pm 2\%$ | 100mV | 84% |
| MPS-200-15 | 15V, 0~13.4A | $\pm 2\%$ | 100mV | 85% |
| MPS-200-24 | 24V, 0~8.4A | $\pm 1\%$ | 150mV | 86% |
| MPS-200-48 | 48V, 0~4.2A | $\pm 1\%$ | 200mV | 87% |

Dual Output

| Model No. | Output | Tol. | R&N | Effi. | Max. |
|-----------|---------------|-------------|-------|-------|------|
| MPD-200A | 5V, 4.0~24A | $\pm 2\%$ | 80mV | 82% | 196W |
| | 12V, 0.8~9.6A | +8%, -5% | 120mV | | |
| MPD-200B | 5V, 4.0~24A | $\pm 2\%$ | 80mV | 83% | 196W |
| | 24V, 0.4~4.8A | $\pm 6.5\%$ | 180mV | | |

Triple Output

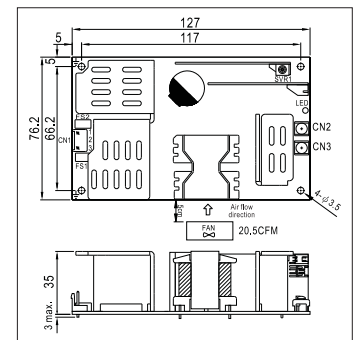
| Model No. | Output | Tol. | R&N | Effi. | Max. |
|-----------|----------------|-----------|-------|-------|------|
| MPT-200A | 5V, 4.0~24A | $\pm 2\%$ | 80mV | 80% | 200W |
| | 12V, 0.8~9.0A | $\pm 8\%$ | 120mV | | |
| | -5V, 0.0~2.4A | $\pm 5\%$ | 80mV | | |
| MPT-200B | 5V, 4.0~24A | $\pm 2\%$ | 80mV | 80% | 196W |
| | 12V, 0.6~7.2A | $\pm 8\%$ | 120mV | | |
| MPT-200C | -12V, 0.0~2.4A | $\pm 5\%$ | 80mV | | |
| | 5V, 4.0~24A | $\pm 2\%$ | 80mV | 80% | 201W |
| | 15V, 0.5~5.6A | $\pm 8\%$ | 150mV | | |
| MPT-200D | -15V, 0.0~2.4A | $\pm 5\%$ | 80mV | | |
| | 5V, 4.0~24A | $\pm 2\%$ | 80mV | 81% | 196W |
| | 24V, 0.3~3.6A | $\pm 8\%$ | 180mV | | |
| | 12V, 0.0~2.4A | $\pm 5\%$ | 80mV | | |

Quad Output

| Model No. | Output | Tol. | R&N | Effi. | Max. |
|-----------|----------------|-----------|-------|-------|------|
| MPQ-200B | 5V, 3.0~18A | $\pm 2\%$ | 80mV | 78% | 193W |
| | 12V, 0.7~8.4A | $\pm 8\%$ | 120mV | | |
| | -5V, 0.0~2.4A | $\pm 5\%$ | 80mV | | |
| | -12V, 0.0~2.4A | $\pm 5\%$ | 80mV | | |
| MPQ-200C | 5V, 3.0~18A | $\pm 2\%$ | 80mV | 78% | 190W |
| | 15V, 0.5~6.0A | $\pm 6\%$ | 150mV | | |
| | -5V, 0.0~2.4A | $\pm 5\%$ | 80mV | | |
| MPQ-200D | -15V, 0.0~2.4A | $\pm 5\%$ | 80mV | | |
| | 5V, 3.0~18A | $\pm 2\%$ | 80mV | 79% | 195W |
| | 24V, 0.3~3.6A | $\pm 8\%$ | 180mV | | |
| | 12V, 0.0~2.4A | $\pm 5\%$ | 80mV | | |
| MPQ-200F | -12V, 0.0~2.4A | $\pm 5\%$ | 80mV | | |
| | 5V, 3.0~18A | $\pm 2\%$ | 80mV | 81% | 200W |
| | 24V, 0.3~3.3A | $\pm 8\%$ | 180mV | | |
| | 15V, 0.0~2.4A | $\pm 5\%$ | 80mV | | |
| | -15V, 0.0~2.4A | $\pm 5\%$ | 80mV | | |

300W Single Output Medical Type with PFC

- 5" x 3" compact size
- Universal AC input / Full range
- Medical safety approved (2xMOPP)
- Suitable for BF application with appropriate system consideration
- Withstand 300VAC surge input for 5 seconds
- Built-in active PFC function
- No load power consumption <0.5W by PS-ON control
- High efficiency up to 93%
- Built-in 12V/0.5A auxiliary output
- Built-in remote sense function
- Protections: Short circuit / Overload / Over voltage / Over temp.
- Low leakage current <300 μA
- Free air convection for 200W and 300W with 20.5 CFM forced air
- Standby 5V@1A
- With P.G. and P.F. signal output
- High power density 14.5W/in³
- 3 years warranty



- AC input voltage range 90~264VAC; 127~370VDC
 AC inrush current Cold start, 40A at 115VAC, 80A at 230VAC
 DC adjustment range $\pm 5\%$ rated output voltage
 Overload protection 105%~135% hiccup mode, auto-recovery
 Over voltage protection 110%~125% shut off, re-power on to recovery
 Leakage current Less than 300 μA at 264VAC
 Setup, rise, hold up time 2500ms, 30ms, 13ms at full load and 230VAC
 Withstand voltage I/P-O/P: 4kVAC, I/P-FG: 2kVAC, 1 minute
 Working temperature -30~+70°C (refer to output derating curve)
 Safety standards ANSI/AAMI ES60601-1, TUV EN60601-1
 EMC standards EN55011, EN55022 conduction class B, radiation class A, EN61000-4-2,3,4,5,6,8,11, EN61000-3-2,3, EN60601-1-2

| Model No. | Output | Tol. | R&N | Effi. |
|------------|---------------|-----------|-------|-------|
| RPS-300-12 | 12V, 0~25A | $\pm 3\%$ | 120mV | 90.0% |
| RPS-300-15 | 15V, 0~20A | $\pm 3\%$ | 120mV | 90.0% |
| RPS-300-24 | 24V, 0~12.5A | $\pm 2\%$ | 150mV | 92.5% |
| RPS-300-27 | 27V, 0~11.12A | $\pm 2\%$ | 200mV | 93.0% |
| RPS-300-48 | 48V, 0~6.25A | $\pm 2\%$ | 250mV | 93.0% |

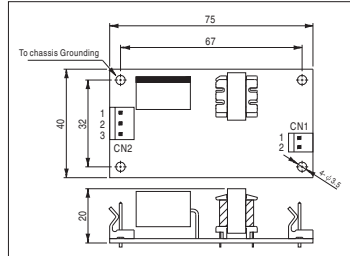
5W Single Output Switching Power Supply

- Universal AC input / Full range
- Protections: Short circuit / Overload / Over voltage / Over temp.
- Cooling by free air convection
- Fixed switching frequency at 67kHz
- Low leakage current <0.5mA
- 100% full load burn-in test
- Low cost, high reliability
- 2 years warranty

CB CE



75x 40x 20 mm



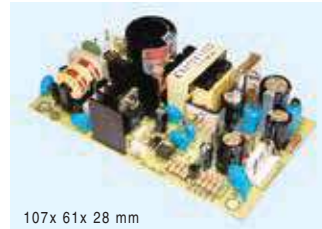
AC input voltage range 85~264VAC; 120~370VDC
 AC inrush current Cold start, 30A at 230VAC
 Overload protection >105% hiccup mode, auto-recovery
 Over voltage protection 115%~135% rated output voltage
 Over temp. protection Hiccup mode, auto-recovery
 Leakage current Less than 0.5mA at 240VAC
 Withstand voltage I/P-O/P: 3kVAC, I/P-FG:1.5kVAC, 1minute
 Working temperature -10~+60°C (refer to output derating curve)
 Safety standards IEC60950-1 CB approval by TUV
 EMC standards EN55022 class B, EN61000-3-2,3, EN61000-4-2,3,4,5,6,8,11
 Connection 3P/5mm, 2P/3.96mm pitch, Molex 5285-03,5273-02
 Packing 0.05kg ; 120pcs / 6.25kg / 1.0CUFT

| Model No. | Output | Tol. | R&N | Effi. |
|-----------|--------------|------|-------|-------|
| PS-05-5 | 5V, 0~1.0A | ±2% | 100mV | 70% |
| PS-05-12 | 12V, 0~0.45A | ±2% | 120mV | 75% |
| PS-05-15 | 15V, 0~0.35A | ±2% | 120mV | 75% |
| PS-05-24 | 24V, 0~0.22A | ±2% | 200mV | 76% |
| PS-05-48 | 48V, 0~0.11A | ±1% | 200mV | 76% |

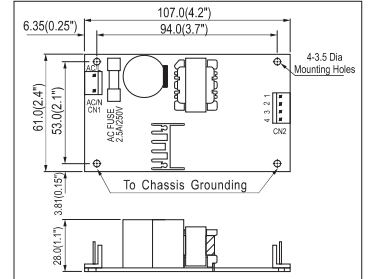
25W 1~2 Output Switching Power Supply

- Universal AC input / Full range
- Protections: Short circuit / Overload / Over voltage / Over temp.
- Cooling by free air convection
- Fixed switching frequency at 100kHz
- Low leakage current <0.5mA
- 100% full load burn-in test
- Low cost, high reliability
- 2 years warranty

UL US CB CE



107x 61x 28 mm



AC input voltage range 85~264VAC; 120~370VDC
 AC inrush current Cold start, 36A at 230VAC
 Overload protection >105% hiccup mode, auto-recovery
 Over voltage protection 115%~135% rated output voltage
 Over temp. protection Shut down o/p voltage, re-power on to recover
 Leakage current Less than 0.5mA at 240VAC
 Withstand voltage I/P-O/P: 3kVAC, I/P-FG:1.5kVAC, 1minute
 Working temperature -10~+60°C (refer to output derating curve)
 Safety standards UL60950-1, TUV EN60950-1 approved
 EMC standards EN55022 class B, EN61000-3-2,3, EN61000-4-2,3,4,5
 Connection 3P, 4P/ 3.96mm pitch, Molex P/N: 41791-03, 04
 Packing 0.14kg ; 96pcs / 15.0kg / 1.30CUFT(PS-25)
 0.15kg ; 96pcs / 15.9kg / 1.30CUFT(PD-25)
 0.13kg ; 96pcs / 15.4kg / 1.30CUFT(PD-2503)

Single Output

| Model No. | Output | Tol. | R&N | Effi. |
|------------|---------------|------|-------|-------|
| PS-25-3.3 | 3.3V, 0~5.0A | ±3% | 80mV | 66% |
| PS-25-5 | 5V, 0~5.0A | ±2% | 80mV | 74% |
| PS-25-7.5 | 7.5V, 0~3.3A | ±2% | 80mV | 76% |
| PS-25-12 | 12V, 0~2.1A | ±2% | 100mV | 78% |
| PS-25-13.5 | 13.5V, 0~1.9A | ±2% | 100mV | 78% |
| PS-25-15 | 15V, 0~1.7A | ±2% | 100mV | 78% |
| PS-25-24 | 24V, 0~1.0A | ±2% | 240mV | 79% |
| PS-25-27 | 27V, 0~0.9A | ±2% | 240mV | 79% |
| PS-25-48 | 48V, 0~0.5A | ±2% | 350mV | 79% |

Dual Output

| Model No. | Output | Tol. | R&N | Effi. | Max. |
|-----------|----------------|---------|-------|-------|------|
| PD-25A | 5V, 0.2~2.5A | ±2% | 50mV | 71% | 25W |
| | 12V, 0.1~1.5A | ±6% | 150mV | | |
| PD-25B | 5V, 0.2~2.0A | ±2% | 50mV | 77% | 25W |
| | 24V, 0.1~1.0A | ±6% | 200mV | | |
| PD-2505 | 5V, 0.1~3.0A | ±6% | 50mV | 73% | 25W |
| | -5V, 0.1~2.5A | ±6% | 50mV | | |
| PD-2512 | 12V, 0.1~1.2A | ±4% | 50mV | 74% | 24W |
| | -12V, 0.1~1.2A | ±4% | 50mV | | |
| PD-2515 | 15V, 0.1~1.0A | ±4% | 50mV | 75% | 24W |
| | -15V, 0.1~1.0A | ±4% | 50mV | | |
| PD-2503 | 3.3V, 0.2~5.0A | ±2% | 50mV | 72% | 25W |
| | 5V, 0.1~4.0A | +5%,-8% | 50mV | | |

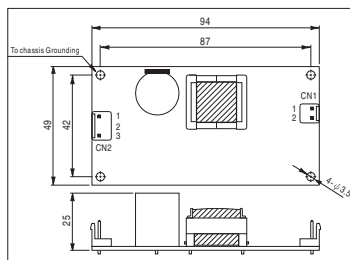
15W Single Output Switching Power Supply

- Universal AC input / Full range
- Protections: Short circuit / Overload / Over voltage / Over temp.
- Cooling by free air convection
- Fixed switching frequency at 67kHz
- Low leakage current <0.5mA
- 100% full load burn-in test
- Low cost, high reliability
- 2 years warranty

CB CE



94x 49x 25 mm



AC input voltage range 85~264VAC; 120~370VDC
 AC inrush current Cold start, 40A at 230VAC
 Overload protection >105% hiccup mode, auto-recovery
 Over voltage protection 115%~135% rated output voltage
 Over temp. protection Hiccup mode, auto-recovery
 Leakage current Less than 0.5mA at 240VAC
 Withstand voltage I/P-O/P: 3kVAC, I/P-FG:1.5kVAC, 1minute
 Working temperature -10~+60°C (refer to output derating curve)
 Safety standards EN60950-1 CB approval by TUV
 EMC standards EN55022 class B, EN61000-3-2,3, EN61000-4-2,3,4,5,6,8,11
 Connection 3P, 2P/ 3.96mm pitch, JST B3P/B2P-VH
 Packing 0.083kg ; 120pcs / 10.96kg

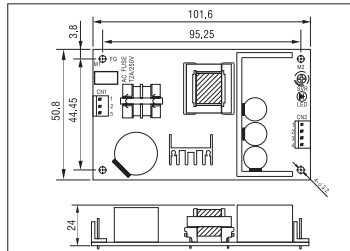
| Model No. | Output | Tol. | R&N | Effi. |
|-----------|---------------|------|-------|-------|
| PS-15-5 | 5V, 0~2.80A | ±2% | 100mV | 74% |
| PS-15-12 | 12V, 0~1.25A | ±2% | 120mV | 77% |
| PS-15-15 | 15V, 0~1.00A | ±2% | 120mV | 78% |
| PS-15-24 | 24V, 0~0.625A | ±2% | 150mV | 79% |
| PS-15-48 | 48V, 0~0.313A | ±2% | 200mV | 77% |

35W Single Output Switching Power Supply

- Universal AC input / Full range
- Cooling by free air convection
- Protections: Short circuit / Overload / Over voltage
- 2 years warranty



101.6x 50.8x 24 mm



AC input voltage range 90~264VAC; 127~370VDC
 DC adjustment range $\pm 10\%$ rated output voltage
 Overload protection 105%~160% hiccup mode, auto-recovery
 Over voltage protection 115%~150% rated output voltage
 Withstand voltage I/P-O/P: 3kVAC, I/P-FG:1.5kVAC, 1minute
 Working temperature -20~+65°C (refer to output derating curve)
 Safety standards UL60950-1, TUV EN60950-1 approved
 EMC standards EN55022 class B, EN61000-3-2,3, EN61000-4-2,3,4,5,6,8,11
 Connection 3+4P / 3.96mm pitch, JST B3P/B4P-VH
 Packing 0.124kg; 96pcs / 12.9kg / 0.8CUFT

| Model No. | Output | Tol. | R&N | Effi. |
|------------|---------------|-----------|-------|-------|
| PS-35-3.3 | 3.3V, 0~6.0A | $\pm 2\%$ | 80mV | 70% |
| PS-35-5 | 5V, 0~6.0A | $\pm 2\%$ | 100mV | 78% |
| PS-35-7.5 | 7.5V, 0~4.7A | $\pm 2\%$ | 100mV | 80% |
| PS-35-12 | 12V, 0~3.0A | $\pm 1\%$ | 120mV | 81% |
| PS-35-13.5 | 13.5V, 0~2.6A | $\pm 1\%$ | 120mV | 81% |
| PS-35-15 | 15V, 0~2.4A | $\pm 1\%$ | 150mV | 81% |
| PS-35-24 | 24V, 0~1.5A | $\pm 1\%$ | 200mV | 85% |
| PS-35-48 | 48V, 0~0.75A | $\pm 1\%$ | 240mV | 84% |

Under Development

NDR-480 Series

480W Economical and Slim DIN Rail Power



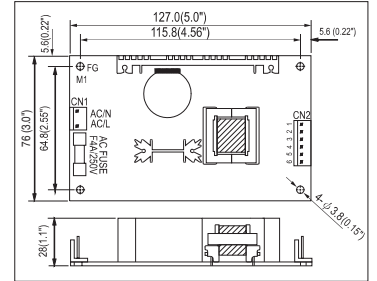
- Universal AC input / Full range
- High efficiency up to 92%
- Built-in active PFC function
- Protections: Short circuit / Overload / Over voltage / Over temperature
- Can be installed on DIN rail TS35 / 7.5 or 15
- Cooling by free air convection
- -20~+70°C wide operating range
- EN61000-6-2(EN50082-2) industrial immunity level
- Design refer to UL508, TUV EN60950-1
- Output models: 24V / 48V
- Dimension(WxHxD): 85.5x125.2x128.5mm
- 3 years warranty

45W 1~3 Output Switching Power Supply

- Universal AC input / Full range
- Protections: Short circuit / Overload / Over voltage
- Cooling by free air convection
- Fixed switching frequency at 65kHz
- Low leakage current <0.75mA
- 100% full load burn-in test
- Low cost, high reliability
- 2 years warranty



127x 76x 28 mm



AC input voltage range ...90~264VAC; 127~370VDC
 AC inrush currentCold start, 15A at 115VAC, 30A at 230VAC
 DC adjustment rangeCH1: -5%~+10% rated output voltage
 Overload protection53~75W hiccup mode, auto-recovery
 Over voltage protection ..CH1: 115%~135% rated output voltage
 Leakage currentLess than 0.75mA at 240VAC
 Withstand voltage I/P-O/P: 3kVAC, I/P-FG:1.5kVAC, 1minute
 Working temperature-10~+60°C (refer to output derating curve)
 Safety standards UL60950-1, TUV EN60950-1 approved
 EMC standards EN55022 class B, EN61000-3-2,3, EN61000-4-2,3,4,5,6,8,11

Connection 2P, 6P/ 3.96mm pitch, Molex 5277-02 / 5273-06
 Packing 0.19kg ; 72pcs / 15.6kg / 1.35CUFT(PS-45)
 0.20kg ; 72pcs / 16.0kg / 1.35CUFT(PD-45)
 0.21kg ; 72pcs / 17.0kg / 1.35CUFT(PT-45)

✦ Single Output

| Model No. | Output | Tol. | R&N | Effi. |
|------------|---------------|-----------|-------|-------|
| PS-45-3.3 | 3.3V, 0~8.0A | $\pm 3\%$ | 80mV | 69% |
| PS-45-5 | 5V, 0~8.0A | $\pm 3\%$ | 100mV | 74% |
| PS-45-7.5 | 7.5V, 0~5.4A | $\pm 3\%$ | 100mV | 75% |
| PS-45-12 | 12V, 0~3.7A | $\pm 2\%$ | 100mV | 76% |
| PS-45-13.5 | 13.5V, 0~3.3A | $\pm 2\%$ | 100mV | 77% |
| PS-45-15 | 15V, 0~3.0A | $\pm 2\%$ | 100mV | 77% |
| PS-45-24 | 24V, 0~1.9A | $\pm 2\%$ | 100mV | 78% |
| PS-45-27 | 27V, 0~1.7A | $\pm 2\%$ | 100mV | 78% |
| PS-45-48 | 48V, 0~1.0A | $\pm 2\%$ | 100mV | 78% |

✦ Dual Output

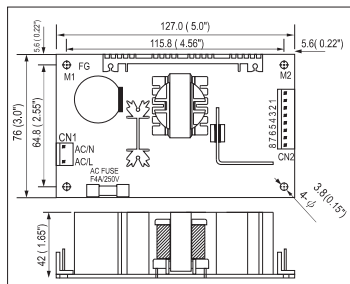
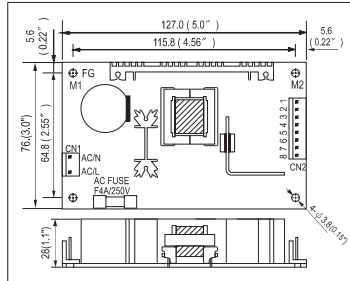
| Model No. | Output | Tol. | R&N | Effi. | Max. |
|-----------|---------------|-----------|-------|-------|------|
| PD-45A | 5V, 0.4~5.0A | $\pm 4\%$ | 50mV | 77% | 40W |
| | 12V, 0.2~2.5A | $\pm 7\%$ | 120mV | | |
| PD-45B | 5V, 0.4~5.0A | $\pm 4\%$ | 50mV | 78% | 45W |
| | 24V, 0.2~1.8A | $\pm 7\%$ | 120mV | | |

✦ Triple Output

| Model No. | Output | Tol. | R&N | Effi. | Max. |
|-----------|----------------|-----------|-------|-------|------|
| PT-45A | 5V, 0.4~5.0A | $\pm 4\%$ | 50mV | 75% | 41W |
| | 12V, 0.2~2.5A | $\pm 7\%$ | 120mV | | |
| | -5V, 0.0~0.5A | $\pm 5\%$ | 50mV | | |
| PT-45B | 5V, 0.4~5.0A | $\pm 4\%$ | 50mV | 75% | 43W |
| | 12V, 0.2~2.5A | $\pm 7\%$ | 120mV | | |
| | -12V, 0.0~0.5A | $\pm 5\%$ | 100mV | | |
| PT-45C | 5V, 0.4~5.0A | $\pm 4\%$ | 50mV | 75% | 44W |
| | 15V, 0.2~2.3A | $\pm 7\%$ | 120mV | | |
| | -15V, 0.0~0.5A | $\pm 5\%$ | 100mV | | |

45 & 65W Triple Output with 3.3V Channel

- Universal AC input / Full range
- Total power for CH1+2: 35W (PT-45)
- Total power for CH1+2: 54W (PT-65)
- Protections: Short circuit / Overload / Over voltage
- Fixed switching frequency at 65kHz
- Cooling by free air convection
- 100% full load burn-in test
- 2 years warranty



AC input voltage range 90~264VAC; 127~370VDC
 AC inrush current Cold start, 20A at 115VAC, 40A at 230VAC
 DC adjustment range 3.3V: $\pm 10\%$ rated output voltage
 Overload protection 120%~160% hiccup mode, auto-recovery
 Over voltage protection 5V: 115%~135% rated output voltage
 Leakage current Less than 1.0mA at 240VAC
 Setup, rise, hold up time 800ms, 50ms, 60ms at full load and 230VAC
 Withstand voltage I/P-O/P: 3kVAC, I/P-FG: 1.5kVAC, 1minute
 Working temperature -10~+60°C (refer to output derating curve)
 Safety standards UL60950-1, TUV EN60950-1 approved
 EMC standards EN55022 class B, EN61000-3-2,3, EN61000-4-2,3,4,5,6,11
 Connection 2P, 8P/ 3.96mm pitch, Molex: 5277-02, 5273-08
 Packing 0.23kg ; 72pcs / 17.6kg / 1.35CUFT(PT-4503)
 0.28kg ; 54pcs / 16.2kg / 1.35CUFT(PT-6503)

✦ Triple Output (45W)

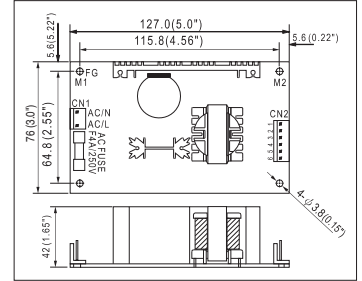
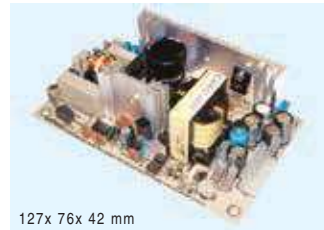
| Model No. | Output | Tol. | R&N | Effi. | Max. |
|-----------|----------------|-----------|-------|-------|------|
| PT-4503 | 3.3V, 0.0~5.0A | $\pm 2\%$ | 50mV | 72% | 45W |
| | 5V, 0.2~7.0A | +4%, -2% | 50mV | | |
| | 12V, 0.0~1.2A | $\pm 8\%$ | 100mV | | |

✦ Triple Output (65W)

| Model No. | Output | Tol. | R&N | Effi. | Max. |
|-----------|----------------|-----------|-------|-------|------|
| PT-6503 | 3.3V, 0.0~7.0A | $\pm 3\%$ | 50mV | 72% | 62W |
| | 5V, 0.2~10A | +4%, -2% | 50mV | | |
| | 12V, 0.0~1.2A | $\pm 8\%$ | 100mV | | |

65W 1~3 Output Switching Power Supply

- Universal AC input / Full range
- Protections: Short circuit / Overload / Over voltage
- Cooling by free air convection
- Fixed switching frequency at 65kHz
- Low leakage current <0.75mA
- 100% full load burn-in test
- Low cost, high reliability
- 2 years warranty



AC input voltage range 90~264VAC; 127~370VDC
 AC inrush current Cold start, 20A at 115VAC, 40A at 230VAC
 DC adjustment range CH1: -5%~+10% rated output voltage
 Overload protection 73~105W hiccup mode, auto-recovery
 Over voltage protection CH1: 115%~135% rated output voltage
 Leakage current Less than 0.75mA at 240VAC
 Setup, rise, hold up time 800ms, 20ms, 60ms at full load and 230VAC
 Withstand voltage I/P-O/P: 3kVAC, I/P-FG: 1.5kVAC, 1minute
 Working temperature -10~+60°C (refer to output derating curve)
 Safety standards UL60950-1, TUV EN60950-1 approved
 EMC standards EN55022 class B, EN61000-3-2,3, EN61000-4-2,3,4,5,6,8,11
 Connection 2P, 6P/ 3.96mm pitch, Molex P/N: 5277-02, 5273-06
 Packing 0.21kg ; 54pcs / 14.2kg / 1.35CUFT(PS-65)
 0.24kg ; 54pcs / 15.0kg / 1.35CUFT(PD-65)
 0.25kg ; 54pcs / 15.9kg / 1.35CUFT(PT-65)

✦ Single Output

| Model No. | Output | Tol. | R&N | Effi. |
|------------|---------------|-----------|-------|-------|
| PS-65-3.3 | 3.3V, 0~12A | $\pm 3\%$ | 80mV | 69% |
| PS-65-5 | 5V, 0~12A | $\pm 3\%$ | 100mV | 76% |
| PS-65-7.5 | 7.5V, 0~8.0A | $\pm 3\%$ | 100mV | 79% |
| PS-65-12 | 12V, 0~5.2A | $\pm 2\%$ | 100mV | 79% |
| PS-65-13.5 | 13.5V, 0~4.7A | $\pm 2\%$ | 100mV | 79% |
| PS-65-15 | 15V, 0~4.2A | $\pm 2\%$ | 100mV | 79% |
| PS-65-24 | 24V, 0~2.7A | $\pm 2\%$ | 100mV | 80% |
| PS-65-27 | 27V, 0~2.4A | $\pm 2\%$ | 100mV | 80% |
| PS-65-48 | 48V, 0~1.35A | $\pm 2\%$ | 100mV | 80% |

✦ Dual Output

| Model No. | Output | Tol. | R&N | Effi. | Max. |
|-----------|---------------|-----------|-------|-------|------|
| PD-65A | 5V, 0.4~7.0A | $\pm 4\%$ | 50mV | 78% | 61W |
| | 12V, 0.2~3.2A | $\pm 7\%$ | 120mV | | |
| | 24V, 0.2~2.6A | $\pm 7\%$ | 150mV | | |

✦ Triple Output

| Model No. | Output | Tol. | R&N | Effi. | Max. |
|-----------|----------------|-----------|-------|-------|------|
| PT-65A | 5V, 0.4~7.0A | $\pm 4\%$ | 50mV | 76% | 60W |
| | 12V, 0.2~3.2A | $\pm 7\%$ | 120mV | | |
| | -5V, 0.0~0.7A | $\pm 5\%$ | 50mV | | |
| PT-65B | 5V, 0.4~7.0A | $\pm 4\%$ | 50mV | 77% | 64W |
| | 12V, 0.2~3.2A | $\pm 7\%$ | 120mV | | |
| PT-65C | -12V, 0.0~0.7A | $\pm 5\%$ | 100mV | | |
| | 5V, 0.4~7.0A | $\pm 4\%$ | 50mV | 77% | 65W |
| | 15V, 0.2~2.6A | $\pm 7\%$ | 120mV | | |
| PT-65D | -15V, 0.0~0.7A | $\pm 5\%$ | 100mV | | |
| | 5V, 0.5~5.0A | $\pm 4\%$ | 50mV | 79% | 68W |
| | 12V, 0.2~4.0A | $\pm 6\%$ | 100mV | | |
| | 24V, 0.2~1.3A | $\pm 6\%$ | 200mV | | |

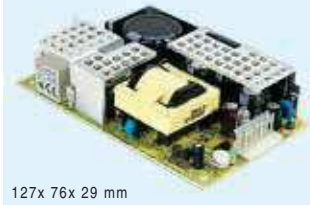


48hrs delivery—

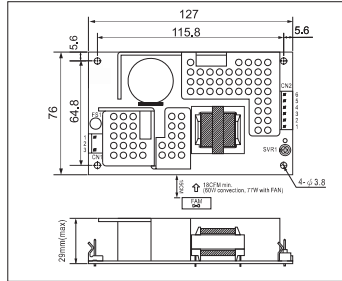
We keep enough stock for 95% of standard models at our 2400m² warehouse. We can arrange prompt delivery within 48hrs.

65W 2, 3 Output Switching Power Supply

- Universal AC input / Full range
- Protections: Short circuit / Overload / Over voltage
- Cooling by free air convection
- 12V or 24V high peak current capability
- 60~65W free air convection, 77~80W with 18 CFM forced air
- Low leakage current < 1mA
- 100% full load burn-in test
- **Optional case available (RPD/RPT-65x-C)**
- 2 years warranty



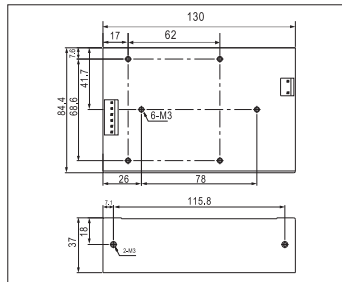
127x 76x 29 mm



▶ With Optional Case



130x 85x 37 mm



AC input voltage range 90~264VAC; 127~370VDC
 AC inrush current Cold start, 25A at 115VAC, 50A at 230VAC
 DC adjustment range CH1: 12V: 11.4~12.8V, 24V: 22.8~26.4V
 Overload protection 90~125W hiccup mode, auto-recovery
 Over voltage protection CH1: 115%~135% rated output voltage
 Leakage current Less than 1mA at 240VAC
 Setup, rise, hold up time 800ms, 20ms, 20ms at full load and 230VAC
 Withstand voltage I/P-O/P: 3kVAC, I/P-FG: 2kVAC, 1minute
 Working temperature -20~+60°C (refer to output derating curve)
 Safety standards UL60950-1, TUV EN60950-1 approved
 EMC standards EN55022 class B, EN61000-3-2,3, EN61000-4-2,3,4,5,6,8,11
 Connection 3P, 6P/ 3.96mm pitch, Molex P/N: 5273-03, 5273-06
 Packing 0.24kg ; 63pcs / 16kg / 1.35CUFT (PCB type)
 0.47kg ; 32pcs / 16kg / 0.64CUFT (Enclosed type)

❖ Dual Output

| Model No. | Output | Tol. | R&N | Effi. | Max. |
|-----------|-------------|------|-------|-------|------|
| RPD-65C □ | 12V, 0~5.8A | ±2% | 120mV | 79% | 60W |
| | 5V, 0~1.5A | ±5% | 50mV | | |
| RPD-65D □ | 24V, 0~2.9A | ±2% | 150mV | 81% | 60W |
| | 5V, 0~1.5A | ±5% | 50mV | | |

❖ Triple Output

| Model No. | Output | Tol. | R&N | Effi. | Max. |
|-----------|----------------|------|-------|-------|------|
| RPT-65E □ | 12V, 0.18~5.8A | ±2% | 120mV | 77% | 63W |
| | 5V, 0.0~1.5A | ±5% | 100mV | | |
| | -5V, 0.0~0.7A | ±5% | 120mV | | |
| RPT-65F □ | 12V, 0.18~5.8A | ±2% | 150mV | 77% | 66W |
| | 5V, 0.0~1.5A | ±5% | 100mV | | |
| | -12V, 0.0~0.7A | ±5% | 150mV | | |
| RPT-65G □ | 24V, 0.09~2.9A | ±2% | 150mV | 81% | 66W |
| | 5V, 0.0~1.5A | ±5% | 50mV | | |
| | 12V, 0.0~0.7A | ±5% | 100mV | | |

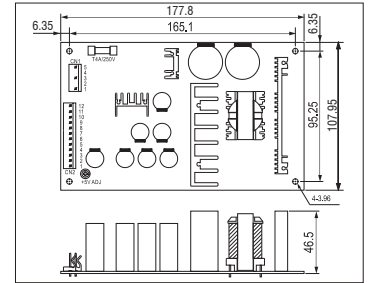
□ = blank, -C ; blank: PCB Type, -C: Enclosed Type

100~110W 2, 4 Output Switching Power Supply

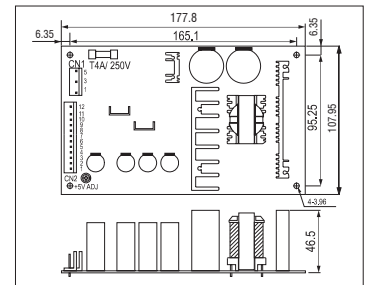
- Universal AC input / Full range
- Power good signal output (option)
- Protections: Short circuit / Overload / Over voltage
- Cooling by free air convection
- Fixed switching frequency at 45kHz
- 100% full load burn-in test
- Low leakage current < 1mA@ 240VAC
- 2 years warranty



PD-110
177.8x 107.95x 46.5 mm



PQ-100
177.8x 107.95x 46.5 mm



AC input voltage range .. 100~264VAC; 141~370VDC
 AC inrush current Cold start, 45A at 230VAC
 DC adjustment range CH1: -5%~+10% rated output voltage
 Overload protection 105%~135% hiccup mode, auto-recovery
 Over voltage protection ..CH1: 115%~135% rated output voltage
 Withstand voltage I/P-O/P: 3kVAC, I/P-FG: 1.5kVAC, 1minute
 Working temperature -10~+60°C (refer to output derating curve)
 Safety standards UL60950-1, TUV EN60950-1 approved
 EMC standards EN55022 class B, EN61000-3-2,3, EN61000-4-2,3,4,5,6,11
 Connection 5+12P/ 3.96mm pitch, Molex: 5273-05,12(PD-110)
 5+6+7P/ 3.96mm pitch, Molex: 5273-05,06,07(PQ-100)
 Packing 0.51kg ; 24pcs / 13.1kg / 1.19CUFT (PD-110)
 0.56kg ; 24pcs / 14.5kg / 1.19CUFT (PQ-100)

❖ Dual Output

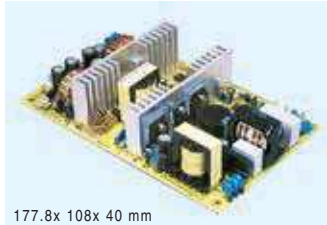
| Model No. | Output | Tol. | R&N | Effi. | Max. |
|-----------|---------------|------|-------|-------|------|
| PD-110A | 5V, 0.5~5.0A | ±2% | 100mV | 75% | 103W |
| | 12V, 0.5~6.5A | ±6% | 150mV | | |
| PD-110B | 5V, 0.5~5.0A | ±2% | 100mV | 78% | 109W |
| | 24V, 0.5~3.5A | ±6% | 200mV | | |

❖ Quad Output

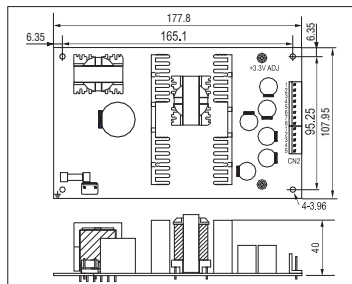
| Model No. | Output | Tol. | R&N | Effi. | Max. |
|-----------|----------------|------|-------|-------|------|
| PQ-100B | 5V, 2.0~10A | ±3% | 80mV | 72% | 101W |
| | 12V, 0.5~4.5A | ±12% | 250mV | | |
| | -5V, 0.0~1.0A | ±6% | 80mV | | |
| | -12V, 0.0~1.0A | ±6% | 120mV | | |
| PQ-100C | 5V, 2.0~8.0A | ±2% | 80mV | 74% | 103W |
| | 15V, 0.5~4.0A | ±6% | 150mV | | |
| | -5V, 0.0~1.0A | ±6% | 80mV | | |
| | -15V, 0.0~1.0A | ±6% | 150mV | | |
| PQ-100D | 5V, 2.0~5.0A | ±2% | 80mV | 77% | 103W |
| | 12V, 0.5~4.5A | ±6% | 120mV | | |
| | 24V, 0.4~2.0A | ±10% | 180mV | | |
| | -12V, 0.0~1.0A | ±6% | 120mV | | |
| PQ-100E | 5V, 2.0~8.0A | ±2% | 80mV | 74% | 99W |
| | 12V, 0.5~3.0A | ±6% | 120mV | | |
| | 15V, 0.0~1.0A | ±6% | 150mV | | |
| | 24V, 0.0~1.0A | ±6% | 120mV | | |

100W Quad Output with PFC Function

- Universal AC input / Full range
- Built-in active PFC function
- Protections: Short circuit / Overload / Over voltage
- Cooling by free air convection
- 100% full load burn-in test
- 3 years warranty



177.8x 108x 40 mm



AC input voltage range .. 90~264VAC; 127~370VDC

AC inrush current Cold start, 50A at 230VAC (PPQ-1003)
Cold start, 30A at 230VAC (PPQ-100)

DC adjustment range CH1: -5%~+10% (PPQ-1003: CH1&2 -5%~+10%)

Overload protection 105%~135% constant current, auto-recovery (PPQ-1003)
105%~135% hiccup mode, auto-recovery (PPQ-100)

Over voltage protection ...3.6V~4.3V for 3.3V ; 5.75V~6.75V for 5.0V

Leakage current Less than 3.5mA at 240VAC (PPQ-1003: <1mA)

Setup, rise, hold up time .. 800ms, 50ms, 18ms at full load and 230VAC

Withstand voltage I/P-O/P: 3kVAC, I/P-FG:2kVAC, 1minute

Working temperature -10~+60°C (refer to output derating curve)

Safety standards UL60950-1, TUV EN60950-1 approved

EMC standards EN55022 class B, EN61000-3-2,3,
EN61000-4-2,3,4,5,6,8,11

Connection 3P+5P+8P/ 3.96mm pitch, P/N:JST B3/5/8P-VH (PPQ-1003)
5P+5P+8P/ 3.96mm pitch, P/N:JST B5/5/8P-VH (PPQ-100)

Packing 0.62kg ; 24pcs / 15.5kg / 1.34CUFT (PPQ-1003)
0.62kg ; 24pcs / 15.9kg / 1.34CUFT (PPQ-100)

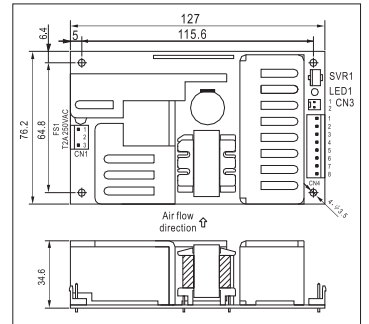
| Model No. | Output | Tol. | R&N | Effi. | Max. |
|-----------|----------------|----------|-------|-------|------|
| PPQ-1003A | 3.3V, 0.0~15A | ±3% | 100mV | 75% | 109W |
| | 5V, 2.0~15A | ±3% | 100mV | | |
| | 12V, 0.2~3.0A | ±6% | 150mV | | |
| PPQ-1003B | -5V, 0.0~1.0A | ±6% | 100mV | 75% | 111W |
| | 3.3V, 0.0~15A | ±3% | 100mV | | |
| | 5V, 2.0~15A | ±3% | 100mV | | |
| | 12V, 0.2~3.0A | ±6% | 150mV | | |
| PPQ-1003C | -12V, 0.0~1.0A | ±6% | 120mV | 76% | 110W |
| | 3.3V, 0.0~15A | ±3% | 100mV | | |
| | 5V, 2.0~15A | ±3% | 100mV | | |
| | 15V, 0.2~3.0A | +10%,-5% | 180mV | | |
| PPQ-1003D | -15V, 0.0~1.0A | ±6% | 150mV | 76.5% | 114W |
| | 3.3V, 0.0~15A | ±3% | 100mV | | |
| | 5V, 2.0~15A | ±3% | 100mV | | |
| | 12V, 0.2~3.0A | +7%,-2% | 150mV | | |
| PPQ-100B | 24V, 0.0~1.0A | ±6% | 150mV | 75% | 101W |
| | 5V, 2.0~15A | ±3% | 100mV | | |
| | 12V, 0.3~4.0A | ±8% | 150mV | | |
| | -12V, 0.0~1.0A | ±5% | 100mV | | |
| PPQ-100C | -5V, 0.0~1.0A | ±5% | 100mV | 76% | 101W |
| | 5V, 2.0~15A | ±3% | 100mV | | |
| | 15V, 0.3~4.0A | -6%,+10% | 150mV | | |
| | -15V, 0.0~1.0A | ±5% | 100mV | | |
| PPQ-100D | -5V, 0.0~1.0A | ±5% | 100mV | 78% | 102W |
| | 5V, 2.0~10A | ±3% | 100mV | | |
| | 24V, 0.3~4.0A | ±8% | 200mV | | |
| | 12V, 0.0~1.0A | ±5% | 100mV | | |
| | -12V, 0.0~1.0A | ±5% | 100mV | | |

125W 1,3 Output with PFC Function

- Universal AC input / Full range
- Built-in active PFC function
- High power density 6.117W/in³
- Protections: Short circuit / Overload / Over voltage
- Built-in remote sense for PPS-125
- LED indicator for power on
- Free air convection for 100W and 125W with 18 CFM forced air
- 100% full load burn-in test
- 3 years warranty



127x 76.2x 34.6 mm



AC input voltage range 90~264VAC; 127~370VDC

AC inrush current Cold start, 24A at 230VAC

DC adjustment range CH1: ±5% rated output voltage

Overload protection 130%~160% fold back current limiting, auto-recovery

Over voltage protection CH1:110%~135% rated output voltage

Leakage current Less than 2.0mA at 240VAC

Setup, rise, hold up time 1000ms, 30ms, 24ms at full load and 230VAC

Withstand voltage I/P-O/P: 3kVAC, I/P-FG:1.5kVAC, 1minute

Working temperature -20~+70°C (refer to output derating curve)

Safety standards UL60950-1, TUV EN60950-1 approved

EMC standards EN55022 class B, EN61000-3-2,3,
EN61000-4-2,3,4,5,6,8,11

Connection 3+8P /3.96mm pitch, JST: B3P/B8P-VH (PPS-125)

3+5Px2 /3.96mm pitch, JST: B3P/B5Px2-VH (PPT-125)

Packing 0.37kg; 36pcs / 14.3kg / 0.79CUFT

✦ Single Output

| Model No. | Output | Tol. | R&N | Effi. |
|--------------|---------------|------|-------|-------|
| PPS-125-3.3 | 3.3V, 0~25A | ±2% | 100mV | 70% |
| PPS-125-5 | 5V, 0~25A | ±2% | 100mV | 79% |
| PPS-125-12 | 12V, 0~10.5A | ±2% | 100mV | 80% |
| PPS-125-13.5 | 13.5V, 0~9.3A | ±2% | 100mV | 80% |
| PPS-125-15 | 15V, 0~8.4A | ±2% | 100mV | 80% |
| PPS-125-24 | 24V, 0~5.2A | ±1% | 150mV | 83% |
| PPS-125-27 | 27V, 0~4.6A | ±1% | 150mV | 83% |
| PPS-125-48 | 48V, 0~2.6A | ±1% | 250mV | 84% |

✦ Triple Output

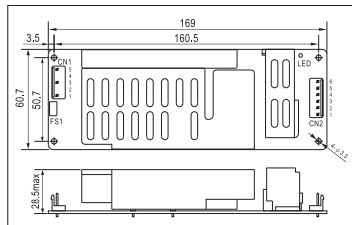
| Model No. | Output | Tol. | R&N | Effi. | Max |
|-----------|------------------|------|-------|-------|------|
| PPT-125A | 3.3V, 1.0~12.5A | ±3% | 100mV | 75% | 99W |
| | 5V, 0.8~10.0A | ±5% | 100mV | | |
| | 12V, 0.05~0.63A | ±6% | 120mV | | |
| PPT-125B | 5V, 1.0~14.38A | ±3% | 100mV | 78% | 124W |
| | 12V, 0.3~3.75A | ±5% | 120mV | | |
| | -12V, 0.05~0.63A | ±6% | 120mV | | |
| PPT-125C | 5V, 1.0~13.75A | ±3% | 100mV | 78% | 125W |
| | 15V, 0.25~3.13A | ±5% | 150mV | | |
| | -15V, 0.05~0.63A | ±6% | 150mV | | |
| PPT-125D | 5V, 1.0~8.75A | ±3% | 100mV | 78% | 126W |
| | 24V, 0.25~3.13A | ±5% | 240mV | | |
| | 12V, 0.05~0.63A | ±6% | 120mV | | |

150W Single Output with PFC Function

- Universal AC input / Full range
- Built-in active PFC function
- Protections: Short circuit / Overload / Over voltage / Over temp.
- Cooling by free air convection
- High power density 8.4W/in³
- No load power consumption <1W
- 100% full load burn-in test
- 3 years warranty



169x 60.7x 28.5 mm



AC input voltage range 90~264VAC ; 127~370VDC
 DC adjustment range Can be modified between ±10% rated output voltage by factory
 Overload protection 105%~135% hiccup mode, auto-recovery
 Over voltage protection 110%~135% rated output voltage
 Withstand voltage I/P-O/P: 4.25kVDC, I/P-FG:1.5kVAC, 1minute
 Working temperature -20~+60°C (refer to output derating curve)
 Safety standards UL60950-1 approved
 EMC standards EN55022 class B, EN61000-3-2,3, EN61000-4-2,3,4,5,6,8,11
 Connection 5+6P/3.96mm pitch, JST P/N :B5P/B6P-VH
 Packing 0.32kg ; 48pcs / 15.8kg / 0.79CUFT

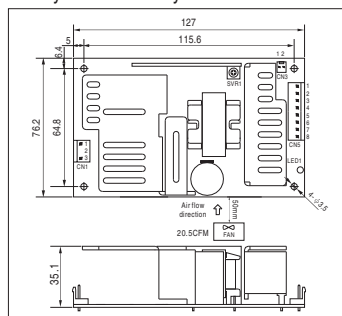
| Model No. | Output | Tol. | R&N | Effi. |
|------------|-------------|------|-------|-------|
| ASP-150-12 | 12V, 0~11A | ±2% | 150mV | 88% |
| ASP-150-15 | 15V, 0~9.5A | ±2% | 180mV | 88% |
| ASP-150-20 | 20V, 0~7.5A | ±1% | 200mV | 90% |
| ASP-150-24 | 24V, 0~6.3A | ±1% | 240mV | 90% |
| ASP-150-48 | 48V, 0~3.2A | ±1% | 240mV | 89% |

200W Single Output with PFC Function

- Universal AC input / Full range
- High efficiency up to 90%
- PF>0.98 @115VAC; >0.93 @230VAC
- Protections: Short circuit / Overload / Over voltage / Over temp.
- High power density 9.78W/in³
- 5"x3" compact size
- ZVS technology to reduce power dissipation
- Built-in remote sense function
- Free air convection for 150W and 200W with 20.5 CFM forced air
- 3 years warranty



127x 76.2x 35.1 mm



AC input voltage range 90~264VAC; 127~370VDC
 DC adjustment range ±10% rated output voltage
 Overload protection 105%~135% hiccup mode, auto-recovery
 Over voltage protection 115%~135% rated output voltage
 Withstand voltage I/P-O/P: 3kVAC, I/P-FG:1.5kVAC, 1minute
 Working temperature -20~+70°C (refer to output derating curve)
 Safety standards UL60950-1, TUV EN60950-1 approved
 EMC standards EN55022 class B, EN61000-3-2,3, EN61000-4-2,3,4,5,6,8,11
 Connection 3+8P/3.96mm pitch, JST B3P/B8P-VH
 Packing 0.37kg ; 36pcs / 14.3kg / 0.79CUFT

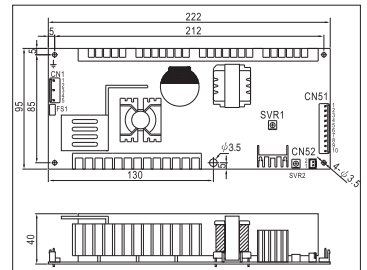
| Model No. | Output | Tol. | R&N | Effi. |
|------------|---------------|------|-------|-------|
| PPS-200-5 | 5V, 0~36.0A | ±4% | 100mV | 86% |
| PPS-200-12 | 12V, 0~16.6A | ±3% | 100mV | 89% |
| PPS-200-15 | 15V, 0~13.3A | ±3% | 100mV | 89% |
| PPS-200-24 | 24V, 0~8.30A | ±2% | 150mV | 89% |
| PPS-200-27 | 27V, 0~7.40A | ±2% | 150mV | 89% |
| PPS-200-48 | 48V, 0~4.167A | ±2% | 250mV | 90% |

250W Isolated Dual Output with PFC Function

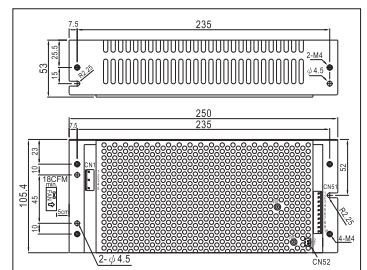
- Universal AC input / Full range
- Isolated output & GND for CH1,CH2
- Built-in active PFC function
- Protections: Short circuit / Overload / Over voltage / Over temp.
- Optional case available
- Cooling by free air convection
- Remote control function for CH1
- Peak load 170% for 10 sec. (CH1)
- 100% full load burn-in test
- 3 years warranty



222x 95x 40 mm



250x 105.4x 53 mm

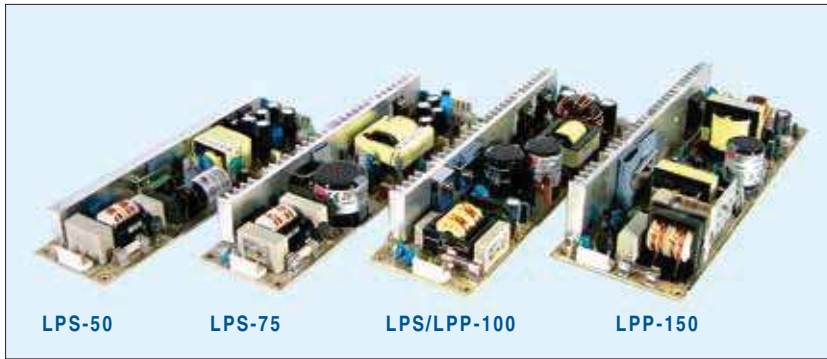


AC input voltage range 90~264VAC; 127~370VDC
 AC inrush current Cold start, 58A at 230VAC
 Leakage current Less than 3.5mA at 240VAC
 DC adjustment range ±10% for CH1; ±5% for CH2
 Overload protection(CH1) 105%~170% normally operation, shut off after 10 sec.; >180%, constant current, shut off after 10 sec.
 (CH2) 101%~150% hiccup mode, auto-recovery
 Over voltage protection CH1: 115%~140%, CH2: 110%~135%
 Setup, rise, hold up time 1200ms, 60ms, 30ms at full load and 230VAC
 Withstand voltage I/P-O/P:3.0kVAC, I/P-FG:2kVAC, 1minute
 Working temperature -20~+70°C (refer to output derating curve)
 Safety standards UL60950-1, TUV EN60950-1 approved
 EMC standards EN55022 class B, EN61000-3-2,-3, EN61000-4-2,3,4,5,6,8,11, EN61000-6-2
 Connection 5+10+2P/3.96mm pitch JST B5P/B10P-VH, B2B-XH
 Packing 0.74kg ; 18pcs / 14.3kg / 0.88CUFT (PCB type); 1.6kg ; 9pcs / 15.4kg / 0.61CUFT (Enclosed type)

| Model No. | Output | Tol. | R&N | Effi. |
|-----------|-------------|------|-------|-------|
| PID-250A | 12V, 0~15A | ±3% | 120mV | 83% |
| PID-250B | 5V, 0~5.0A | ±2% | 50mV | 86% |
| PID-250C | 24V, 0~9.4A | ±2% | 150mV | 86% |
| PID-250D | 5V, 0~5.0A | ±2% | 50mV | 86% |
| PID-250E | 36V, 0~6.3A | ±2% | 200mV | 86% |
| PID-250F | 5V, 0~5.0A | ±2% | 50mV | 86% |
| PID-250G | 48V, 0~4.7A | ±2% | 200mV | 86% |
| PID-250H | 5V, 0~5.0A | ±2% | 50mV | 86% |

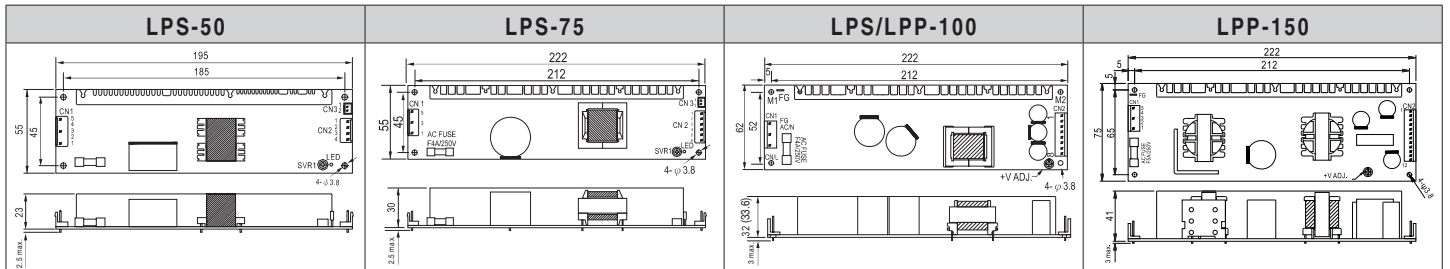
► Feature Description

PID-250 series is suitable for motor-based equipment with logic control circuit. CH1 with high peak power capability can provide the required surge loading while starting up the motor. The isolated 5V/5A CH2 is good for logic control usage and can still work properly even CH1 is malfunction or at any protection modes. The isolated design between CH1 and CH2 can significantly prevent noise of the motor action from entering control circuits and hence secure the accurate operation of the end equipment.



Features

- Universal AC input / Full range
- Built-in active PFC function (LPP-100/150)
- Protections: Short circuit / Overload / Over voltage
- Optional over temperature protection for LPP-150
- Built-in remote ON/OFF control (LPS-50/75)
- Cooling by free air convection
- 100% full load burn-in test
- 2 years warranty for LPS series
- 3 years warranty for LPP series



General Specification (Please refer to www.meanwell.com for detail spec.)



| Model No. | LPS-50 | LPS-75 | LPS-100 | LPP-100 | LPP-150 |
|----------------------------|--|-----------------------------------|--|-------------------------------|--|
| AC input voltage range | 90~264VAC | | 115/230 auto switch | 85~264VAC | |
| AC inrush current (230VAC) | 35A | 36A | 60A | 30A | 55A |
| DC adjustment range | ±10% rated output voltage | | | -5%~+10% rated output voltage | |
| Overload protection | Range | 122%~160% | 115%~150% | 105%~140% | 105%~150% rated output power |
| | Type | Hiccup mode, auto recovery | | | Constant current limiting, auto recovery |
| Over voltage protection | Range | 110%~135% of rated output voltage | | | |
| | Type | Hiccup mode, auto recovery | | | Shut off, AC recycle to re-start |
| Withstand voltage | I/P-O/P: 3kVAC, I/P-FG: 1.5kVAC, O/P-FG: 0.5kVAC, 1 minute | | | | |
| Working temperature | -20~+70°C (refer to output derating curve) | | -10~+60°C (refer to output derating curve) | | |
| Safety standards | UL60950-1, TUV EN60950-1 approved | | | | |
| EMC standards | EN55022 class B, EN61000-3-2,3, EN61000-4-2,3,4,5,6,8,11 (EN61000-6-2 heavy industry level for LPS-50/75 only) | | | | |
| Connection | JST B5P / B4P-VH | JST B5P / B6P-VH | 5P+8P/3.96mm pitch, JST B5P / B8P-VH | | JST B5P / B6P2-VH |
| Dimension (LxWxH)(mm) | 195x55x23 | 222x55x30 | 222x62x32 | 222x62x33.6 | 222x75x41 |
| Packing | 48pcs / 12.5kg | 48pcs / 15.6kg | 24pcs / 12.5kg | 24pcs / 13.9kg | 24pcs / 16.6kg |

50W LPS-50

| Model No. | Output | Tol. | R&N | Effi. |
|------------|-------------|------|-------|-------|
| LPS-50-3.3 | 3.3V, 0~10A | ±3% | 50mV | 75% |
| LPS-50-5 | 5V, 0~10A | ±3% | 50mV | 81% |
| LPS-50-12 | 12V, 0~4.2A | ±2% | 80mV | 82% |
| LPS-50-15 | 15V, 0~3.4A | ±2% | 80mV | 84% |
| LPS-50-24 | 24V, 0~2.1A | ±1% | 80mV | 85% |
| LPS-50-48 | 48V, 0~1.1A | ±1% | 100mV | 86% |

75W LPS-75

| Model No. | Output | Tol. | R&N | Effi. |
|------------|--------------|------|-------|-------|
| LPS-75-3.3 | 3.3V, 0~15A | ±3% | 80mV | 69% |
| LPS-75-5 | 5V, 0~15A | ±3% | 80mV | 77% |
| LPS-75-12 | 12V, 0~6.2A | ±2% | 100mV | 80% |
| LPS-75-15 | 15V, 0~5.0A | ±2% | 100mV | 81% |
| LPS-75-24 | 24V, 0~3.2A | ±2% | 120mV | 83% |
| LPS-75-48 | 48V, 0~1.56A | ±2% | 120mV | 83% |

100W LPS-100

| Model No. | Output | Tol. | R&N | Effi. |
|--------------|---------------|------|-------|-------|
| LPS-100-3.3 | 3.3V, 0~20A | ±3% | 150mV | 69% |
| LPS-100-5 | 5V, 0~20A | ±3% | 100mV | 77% |
| LPS-100-7.5 | 7.5V, 0~13.3A | ±2% | 100mV | 77% |
| LPS-100-12 | 12V, 0~8.4A | ±2% | 100mV | 79% |
| LPS-100-13.5 | 13.5V, 0~7.5A | ±2% | 100mV | 79% |
| LPS-100-15 | 15V, 0~6.7A | ±2% | 100mV | 80% |

| | | | | |
|------------|-------------|-----|-------|-----|
| LPS-100-24 | 24V, 0~4.2A | ±1% | 150mV | 80% |
| LPS-100-27 | 27V, 0~3.8A | ±1% | 150mV | 81% |
| LPS-100-48 | 48V, 0~2.1A | ±1% | 200mV | 81% |

100W (with PFC Function) LPP-100

| Model No. | Output | Tol. | R&N | Effi. |
|--------------|---------------|------|-------|-------|
| LPP-100-3.3 | 3.3V, 0~20A | ±2% | 100mV | 69% |
| LPP-100-5 | 5V, 0~20A | ±2% | 100mV | 75% |
| LPP-100-7.5 | 7.5V, 0~13.5A | ±2% | 100mV | 76% |
| LPP-100-12 | 12V, 0~8.5A | ±2% | 100mV | 79% |
| LPP-100-13.5 | 13.5V, 0~7.5A | ±2% | 100mV | 79% |
| LPP-100-15 | 15V, 0~6.7A | ±2% | 100mV | 80% |
| LPP-100-24 | 24V, 0~4.2A | ±1% | 150mV | 83% |
| LPP-100-27 | 27V, 0~3.8A | ±1% | 150mV | 83% |
| LPP-100-48 | 48V, 0~2.1A | ±1% | 250mV | 83% |

150W (with PFC Function) LPP-150

| Model No. | Output | Tol. | R&N | Effi. |
|--------------|----------------|------|-------|-------|
| LPP-150-3.3 | 3.3V, 0~30A | ±2% | 100mV | 70% |
| LPP-150-5 | 5V, 0~30A | ±2% | 100mV | 76% |
| LPP-150-7.5 | 7.5V, 0~20A | ±2% | 100mV | 80% |
| LPP-150-12 | 12V, 0~12.5A | ±2% | 100mV | 82% |
| LPP-150-13.5 | 13.5V, 0~11.2A | ±2% | 100mV | 83% |
| LPP-150-15 | 15V, 0~10A | ±2% | 100mV | 83% |
| LPP-150-24 | 24V, 0~6.3A | ±1% | 150mV | 85% |
| LPP-150-27 | 27V, 0~5.6A | ±1% | 150mV | 85% |
| LPP-150-48 | 48V, 0~3.2A | ±1% | 250mV | 85% |

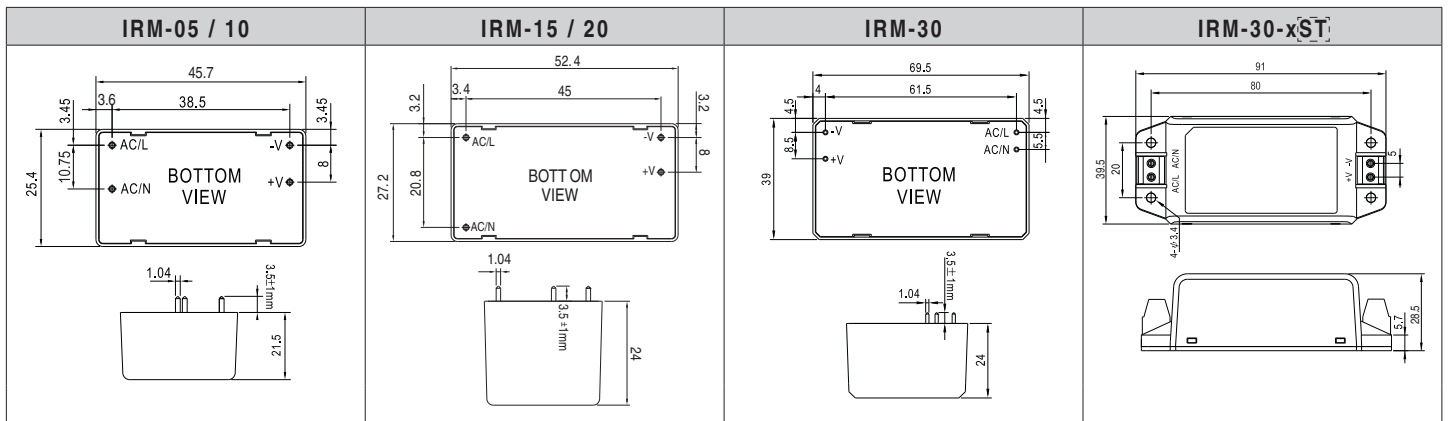
Green Open Frame

5~30W AC/DC Miniature Encapsulated Type



Features

- Universal AC input / Full range
- No load power consumption < 0.1W
- Miniature size, high power density
- Protections: Short circuit / Overload / Over voltage
- Cooling by free air convection
- Isolation class II
- Fully isolated plastic case
- Withstand 5G vibration test
- Optional screw terminal I/O connection models for IRM-30-x[ST]
- Low cost, high reliability
- 100% full load burn-in test
- 3 years warranty



General Specification (Please refer to www.meanwell.com for detail spec.)



| Model No. | IRM-05 | IRM-10 | IRM-15 | IRM-20 | IRM-30-□ |
|---------------------------|---|-------------------|--------------------|--|---|
| AC input voltage range | 85~264VAC; 120~370VDC | | | | |
| AC inrush current (max.) | Cold start, 20A at 115VAC, 40A at 230VAC | | | Cold start, 25A at 115VAC, 45A at 230VAC | |
| Overload protection | 115%~260% | 115%~190% | | 115%~160% | 105%~160% |
| Over voltage protection | 115%~135% rated output voltage | | | | 105%~135% |
| Setup, rise, hold up time | 600ms, 30ms, 80ms | 600ms, 30ms, 30ms | 1000ms, 20ms, 40ms | | 1000ms, 30ms, 40ms |
| Leakage current | Less than 0.25mA at 240VAC | | | | |
| Withstand voltage | I/P-O/P: 3kVAC | | | | |
| Working temperature | -30~+70°C (refer to output derating curve) | | | | |
| Vibration | 10~500Hz, 5G 10min./1 cycle, period for 60 min. each along X, Y, Z axes | | | | |
| Safety standards | UL60950-1, TUV EN60950-1 approved | | | | |
| EMC standards | EN55022 class B, EN61000-3-2,3, EN61000-4-2,3,4,5,6,8,11 | | | | |
| Connection | 4 industrial pins | | | | |
| Dimension (LxWxH)(mm) | 45.7x 25.4x 21.5 | | 52.4x 27.2x 24 | | PCB mounting: 69.5x 39x 24; Screw I/O: 91x 39.5x 28.5 |

5W IRM-05

| Model No. | Output | Tol. | R&N | Effi. |
|------------|---------------|-------|-------|-------|
| IRM-05-3.3 | 3.3V, 0~1.25A | ±2.5% | 200mV | 68% |
| IRM-05-5 | 5V, 0~1A | ±2.5% | 200mV | 71% |
| IRM-05-12 | 12V, 0~0.42A | ±2.5% | 200mV | 75% |
| IRM-05-15 | 15V, 0~0.33A | ±2.5% | 200mV | 75% |
| IRM-05-24 | 24V, 0~0.23A | ±2.5% | 200mV | 77% |

10W IRM-10

| Model No. | Output | Tol. | R&N | Effi. |
|------------|--------------|-------|-------|-------|
| IRM-10-3.3 | 3.3V, 0~2.5A | ±2.5% | 200mV | 74% |
| IRM-10-5 | 5V, 0~2A | ±2.5% | 200mV | 77% |
| IRM-10-12 | 12V, 0~0.85A | ±2.5% | 200mV | 82% |
| IRM-10-15 | 15V, 0~0.67A | ±2.5% | 200mV | 82% |
| IRM-10-24 | 24V, 0~0.42A | ±2.5% | 200mV | 82% |

15W IRM-15

| Model No. | Output | Tol. | R&N | Effi. |
|------------|--------------|-------|-------|-------|
| IRM-15-3.3 | 3.3V, 0~3.5A | ±2.5% | 200mV | 74% |
| IRM-15-5 | 5V, 0~3A | ±2.5% | 200mV | 78% |
| IRM-15-12 | 12V, 0~1.25A | ±2.5% | 200mV | 82% |

| Model No. | Output | Tol. | R&N | Effi. |
|-----------|--------------|-------|-------|-------|
| IRM-15-15 | 15V, 0~1A | ±2.5% | 200mV | 82% |
| IRM-15-24 | 24V, 0~0.63A | ±2.5% | 200mV | 83% |

20W IRM-20

| Model No. | Output | Tol. | R&N | Effi. |
|------------|--------------|-------|-------|-------|
| IRM-20-3.3 | 3.3V, 0~4.5A | ±2.5% | 200mV | 76% |
| IRM-20-5 | 5V, 0~4A | ±2.5% | 200mV | 79% |
| IRM-20-12 | 12V, 0~1.8A | ±2.5% | 200mV | 84% |
| IRM-20-15 | 15V, 0~1.4A | ±2.5% | 200mV | 84% |
| IRM-20-24 | 24V, 0~0.9A | ±2.5% | 200mV | 85% |

30W IRM-30

| Model No. | Output | Tol. | R&N | Effi. |
|------------|--------------|-------|-------|-------|
| IRM-30-5□ | 5V, 0~6A | ±2.5% | 120mV | 83% |
| IRM-30-12□ | 12V, 0~2.5A | ±2.5% | 150mV | 88% |
| IRM-30-15□ | 15V, 0~2A | ±2.5% | 200mV | 88% |
| IRM-30-24□ | 24V, 0~1.3A | ±2.5% | 240mV | 88.5% |
| IRM-30-48□ | 48V, 0~0.63A | ±2.5% | 300mV | 90% |

□ = Blank, ST ; Blank: PCB mounting type, ST: Screw I/O type

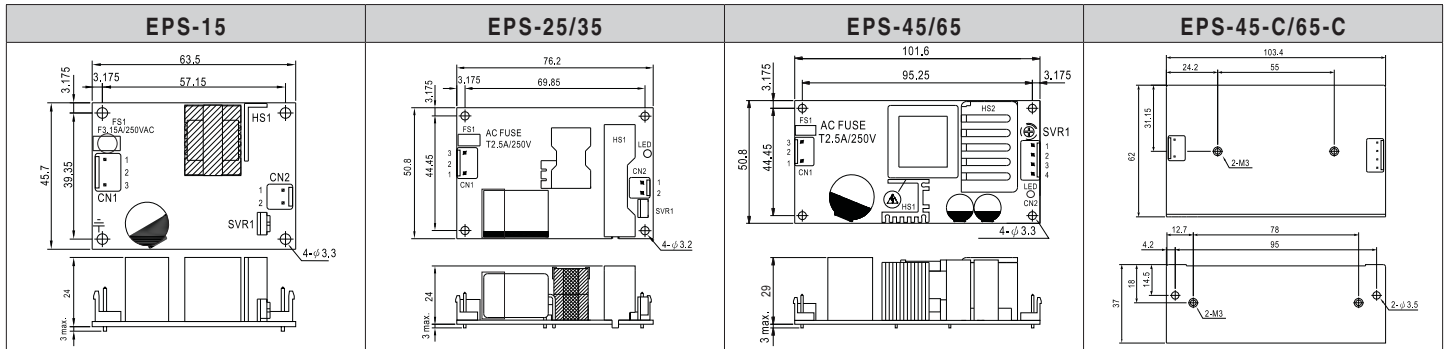
Green Open Frame

15~65W Single Output



Features

- Universal AC input / Full range
- **No load power consumption < 0.3W**
- High efficiency up to 90%
- Compact size
- Cooling by free air convection
- Protections: Short circuit / Overload / Over voltage
- **Case available (EPS-45-x-C & EPS-65-x-C)**
- LED indicator for power on (except for EPS-15)
- 3 years warranty



General Specification (Please refer to www.meanwell.com for detail spec.)



| Model No. | EPS-15 | EPS-25 | EPS-35 | EPS-45-(C) | EPS-65-(C) |
|--------------------------|--|------------------------------|---------------------------|--|------------|
| AC input voltage range | 85~264VAC; 120~370VDC | | | 90~264VAC; 127~370VDC | |
| AC inrush current (max.) | Cold start, 45A at 230VAC | Cold start, 35A at 230VAC | Cold start, 40A at 230VAC | Cold start, 60A at 230VAC | |
| DC adjustment range | ±10% rated output voltage | | | | |
| Overload protection | Range | 115%~150% rated output power | | 115%~160% rated output power | |
| | Type | Hiccup mode, auto recovery | | | |
| Over voltage protection | 110%~135% | 110%~140% | | 110%~135% | |
| Withstand voltage | I/P-O/P: 3kVAC, I/P-FG:2kVAC, O/P-FG: 0.5kVAC, 1 minute | | | | |
| Working temperature | -30~+70°C (refer to output derating curve) | | | | |
| Safety standards | UL60950-1, TUV EN60950-1 approved | | | | |
| EMC standards | EN55022 class B, EN61000-3-2,3, EN61000-4-2,3,4,5,6,8,11 | | | | |
| Connection | 3+2P/3.96mm pitch, JST B3P/B2P-VH | | | 3+4P/3.96mm pitch, JST B3P/B4P-VH | |
| Dimension (LxWxH)(mm) | 63.5x45.7x24 | 76.2x50.8x24 | | PCB: 101.6x50.8x29 ; Case: 103.4x62x37 | |

15W EPS-15

| Model No. | Output(Rated / Peak 10 sec.) | Tol. | R&N | Effi. |
|------------|------------------------------|------|-------|-------|
| EPS-15-3.3 | 3.3V, 0~3A / 3.3A | ±2% | 50mV | 75% |
| EPS-15-5 | 5V, 0~3A / 3.3A | ±2% | 50mV | 78% |
| EPS-15-7.5 | 7.5V, 0~2A / 2.2A | ±2% | 80mV | 81% |
| EPS-15-12 | 12V, 0~1.25A / 1.38A | ±1% | 80mV | 82% |
| EPS-15-15 | 15V, 0~1A / 1.1A | ±1% | 100mV | 83% |
| EPS-15-24 | 24V, 0~0.625A / 0.69A | ±1% | 150mV | 83% |
| EPS-15-27 | 27V, 0~0.56A / 0.615A | ±1% | 180mV | 84% |
| EPS-15-36 | 36V, 0~0.42A / 0.46A | ±1% | 200mV | 85% |
| EPS-15-48 | 48V, 0~0.313A / 0.344A | ±1% | 200mV | 85% |

25W EPS-25

| Model No. | Output(Rated / Peak 10 sec.) | Tol. | R&N | Effi. |
|------------|------------------------------|------|-------|-------|
| EPS-25-3.3 | 3.3V, 0~5A / 5.5A | ±2% | 60mV | 79% |
| EPS-25-5 | 5V, 0~5A / 5.5A | ±2% | 60mV | 81% |
| EPS-25-7.5 | 7.5V, 0~3.4A / 3.74A | ±2% | 80mV | 83% |
| EPS-25-12 | 12V, 0~2.1A / 2.34A | ±1% | 100mV | 86% |
| EPS-25-15 | 15V, 0~1.7A / 1.87A | ±1% | 100mV | 87% |
| EPS-25-24 | 24V, 0~1.05A / 1.17A | ±1% | 180mV | 88% |
| EPS-25-27 | 27V, 0~0.95A / 1.05A | ±1% | 180mV | 89% |
| EPS-25-36 | 36V, 0~0.7A / 0.78A | ±1% | 200mV | 89% |
| EPS-25-48 | 48V, 0~0.53A / 0.59A | ±1% | 240mV | 90% |

35W EPS-35

| Model No. | Output(Rated / Peak 10 sec.) | Tol. | R&N | Effi. |
|------------|------------------------------|-------|-------|-------|
| EPS-35-3.3 | 3.3V, 0~6A / 6.6A | ±2.5% | 60mV | 80% |
| EPS-35-5 | 5V, 0~6A / 6.6A | ±2.0% | 70mV | 82% |
| EPS-35-7.5 | 7.5V, 0~4.7A / 5.2A | ±2.0% | 80mV | 84% |
| EPS-35-12 | 12V, 0~3A / 3.3A | ±1.0% | 100mV | 87% |
| EPS-35-15 | 15V, 0~2.4A / 2.65A | ±1.0% | 100mV | 88% |

| Model No. | Output(Rated / Peak 10 sec.) | Tol. | R&N | Effi. |
|-----------|------------------------------|------|-------|-------|
| EPS-35-24 | 24V, 0~1.5A / 1.65A | ±1% | 180mV | 89% |
| EPS-35-27 | 27V, 0~1.3A / 1.45A | ±1% | 180mV | 89% |
| EPS-35-36 | 36V, 0~1A / 1.1A | ±1% | 200mV | 89% |
| EPS-35-48 | 48V, 0~0.75A / 0.82A | ±1% | 240mV | 90% |

45W EPS-45

| Model No. | Output(Rated / Peak 10 sec.) | Tol. | R&N | Effi. |
|-------------|------------------------------|------|-------|-------|
| EPS-45-3.3□ | 3.3V, 0~8A / 9A | ±3% | 80mV | 80% |
| EPS-45-5□ | 5V, 0~8A / 9A | ±2% | 80mV | 82% |
| EPS-45-7.5□ | 7.5V, 0~5.4A / 6A | ±2% | 100mV | 84% |
| EPS-45-12□ | 12V, 0~3.75A / 4.2A | ±2% | 120mV | 87% |
| EPS-45-15□ | 15V, 0~3A / 3.3A | ±2% | 150mV | 88% |
| EPS-45-24□ | 24V, 0~1.9A / 2.1A | ±1% | 240mV | 89% |
| EPS-45-36□ | 36V, 0~1.25A / 1.4A | ±1% | 280mV | 89% |
| EPS-45-48□ | 48V, 0~1A / 1.1A | ±1% | 300mV | 90% |

□ = blank, -C ; blank: PCB type, -C: Enclosed type

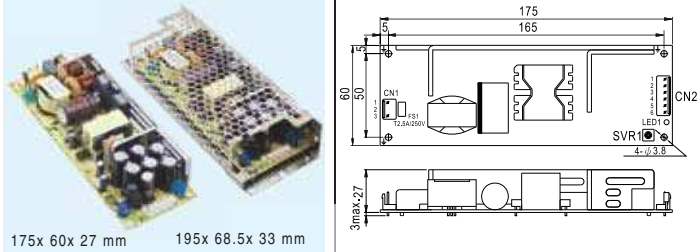
65W EPS-65

| Model No. | Output(Rated / Peak 10 sec.) | Tol. | R&N | Effi. |
|-------------|------------------------------|------|-------|-------|
| EPS-65-3.3□ | 3.3V, 0~11A / 12A | ±3% | 80mV | 80% |
| EPS-65-5□ | 5V, 0~11A / 12A | ±2% | 80mV | 82% |
| EPS-65-7.5□ | 7.5V, 0~8A / 8.8A | ±2% | 100mV | 84% |
| EPS-65-12□ | 12V, 0~5.42A / 6A | ±2% | 120mV | 86% |
| EPS-65-15□ | 15V, 0~4.34A / 4.8A | ±2% | 150mV | 87% |
| EPS-65-24□ | 24V, 0~2.71A / 3A | ±1% | 240mV | 88% |
| EPS-65-36□ | 36V, 0~1.81A / 2A | ±1% | 280mV | 89% |
| EPS-65-48□ | 48V, 0~1.36A / 1.5A | ±1% | 300mV | 90% |

□ = blank, -C ; blank: PCB type, -C: Enclosed type

75W Single Output with PFC Function

- Universal AC input / Full range
- Built-in active PFC function
- **No load power consumption <0.5W**
- High efficiency up to 90%
- Cooling by free air convection
- Protections: Short circuit / Overload / Over voltage
- **Case available (ELP-75-x-C)**
- LED indicator for power on
- 1U low profile
- 3 years warranty



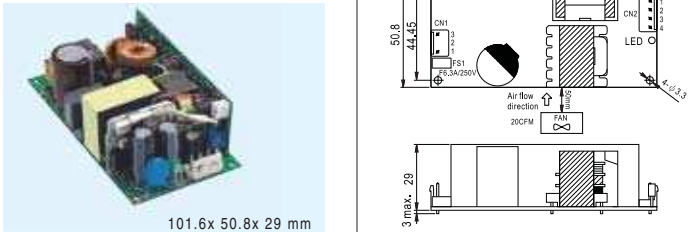
AC input voltage range 90~264VAC; 127~370VDC
 AC inrush current Cold start, 60A at 230VAC
 DC adjustment range $\pm 10\%$ rated output voltage
 Overload protection 105%~150% hiccup mode, auto-recovery
 Over voltage protection 115%~135% rated output voltage
 Leakage current Less than 1mA at 240VAC
 Setup, rise, hold up time 2500ms, 50ms, 20ms at full load and 230VAC
 Withstand voltage I/P-O/P: 3kVAC, I/P-FG: 1.5kVAC, O/P-FG: 0.5kVAC
 Working temperature -30~+70°C (refer to output derating curve)
 Safety standards UL60950-1, TUV EN60950-1 approved
 EMC standards EN55022 class B, EN61000-3-2,3, EN61000-4-2,3,4,5,6,8,11

| Model No. | Output | Tol. | R&N | Effi. |
|-------------|--------------|-----------|-------|-------|
| ELP-75-3.3□ | 3.3V, 0~15A | $\pm 3\%$ | 80mV | 80% |
| ELP-75-5□ | 5V, 0~15A | $\pm 2\%$ | 80mV | 82% |
| ELP-75-12□ | 12V, 0~6.25A | $\pm 2\%$ | 120mV | 89% |
| ELP-75-15□ | 15V, 0~5A | $\pm 2\%$ | 150mV | 90% |
| ELP-75-24□ | 24V, 0~3.15A | $\pm 1\%$ | 240mV | 90% |
| ELP-75-36□ | 36V, 0~2.1A | $\pm 1\%$ | 280mV | 90% |
| ELP-75-48□ | 48V, 0~1.6A | $\pm 1\%$ | 300mV | 90% |

□ = blank, -C ; blank: PCB type, -C: Enclosed type

100W Single Output with PFC Function

- 4"x 2" compact size
- Universal AC input / Full range
- Built-in active PFC function
- **No load power consumption <0.5W**
- High efficiency up to 92.5%
- Free air convection for 75W and 100W with 20 CFM forced air
- Protections: Short circuit / Overload / Over voltage / Over temperature
- 12V/0.3A auxiliary output
- LED indicator for power on
- 3 years warranty

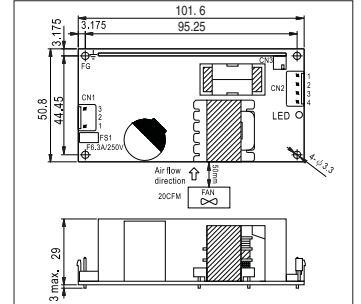


AC input voltage range 90~264VAC; 127~370VDC
 DC adjustment range -2%~+5% rated output voltage
 Overload protection 105%~145% hiccup mode, auto-recovery
 Over voltage protection 115%~135% rated output voltage
 Withstand voltage I/P-O/P: 3kVAC, I/P-FG: 2kVAC, O/P-FG: 0.5kVAC
 Working temperature -30~+70°C (refer to output derating curve)
 Safety standards UL60950-1, TUV EN60950-1 approved
 EMC standards EN55022 class B, EN61000-3-2,3, EN61000-4-2,3,4,5,6,8,11

| Model No. | Output | Tol. | R&N | Effi. |
|------------|--------------|-----------|-------|-------|
| EPP-100-12 | 12V, 0~8.5A | $\pm 2\%$ | 120mV | 91.0% |
| EPP-100-15 | 15V, 0~6.67A | $\pm 2\%$ | 150mV | 91.0% |
| EPP-100-24 | 24V, 0~4.2A | $\pm 1\%$ | 240mV | 92.0% |
| EPP-100-27 | 27V, 0~3.71A | $\pm 1\%$ | 240mV | 92.5% |
| EPP-100-48 | 48V, 0~2.1A | $\pm 1\%$ | 300mV | 92.5% |

150W Single Output with PFC Function

- 4"x 2" compact size
- Universal AC input / Full range
- Built-in active PFC function
- **No load power consumption <0.5W**
- High efficiency up to 93%
- Free air convection for 100W and 150W with 20 CFM forced air
- Protections: Short circuit / Overload / Over voltage / Over temperature
- 12V/0.3A auxiliary output
- High power density 16.42W/in³
- LED indicator for power on
- 3 years warranty

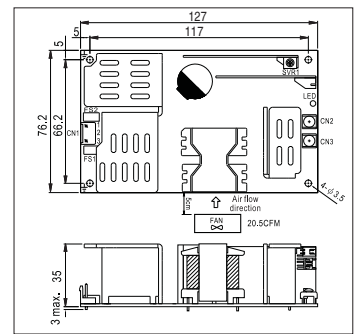
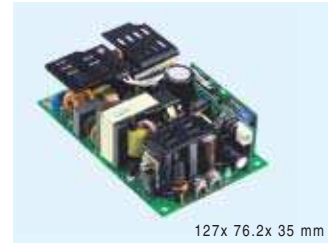


AC input voltage range ... 90~264VAC; 127~370VDC
 DC adjustment range -2%~+5% rated output voltage
 Overload protection 105%~145% hiccup mode, auto-recovery
 Over voltage protection ... 115%~135% rated output voltage
 Withstand voltage I/P-O/P: 3kVAC, I/P-FG: 2kVAC, O/P-FG: 0.5kVAC
 Working temperature -30~+70°C (refer to output derating curve)
 Safety standards UL60950-1, TUV EN60950-1 approved
 EMC standards EN55022 class B, EN61000-3-2,3, EN61000-4-2,3,4,5,6,8,11

| Model No. | Output | Tol. | R&N | Effi. |
|------------|---------------|-----------|-------|-------|
| EPP-150-12 | 12V, 0~12.5A | $\pm 2\%$ | 130mV | 91.5% |
| EPP-150-15 | 15V, 0~10.0A | $\pm 2\%$ | 150mV | 92.0% |
| EPP-150-24 | 24V, 0~6.25A | $\pm 1\%$ | 240mV | 93.0% |
| EPP-150-27 | 27V, 0~5.56A | $\pm 1\%$ | 240mV | 92.0% |
| EPP-150-48 | 48V, 0~3.125A | $\pm 1\%$ | 300mV | 92.0% |

300W Single Output with PFC Function

- 5"x 3" compact size
- Universal AC input / Full range
- Built-in active PFC function
- **No load power consumption <0.5W by PS-ON control**
- High efficiency up to 93%
- Free air convection for 200W and 300W with 20.5 CFM forced air
- Protections: Short circuit / Overload / Over voltage / Over temperature
- Withstand 300VAC surge input for 5 seconds
- 12V/0.5A auxiliary output
- Standby 5V@1A
- Built-in remote sense function
- High power density 14.5W/in³
- LED indicator for power on
- 3 years warranty



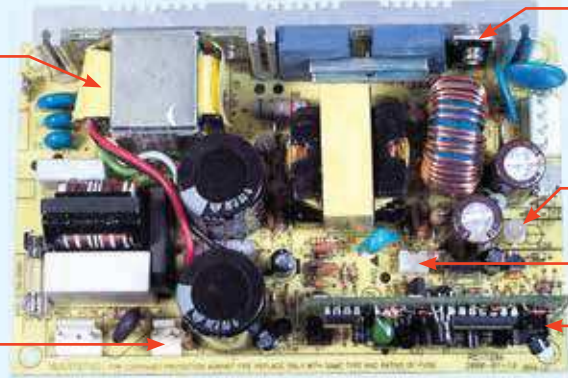
AC input voltage range 90~264VAC; 127~370VDC
 DC adjustment range $\pm 5\%$ rated output voltage
 Overload protection 105%~135% hiccup mode, auto-recovery
 Over voltage protection 115%~135% rated output voltage
 Withstand voltage I/P-O/P: 3kVAC, I/P-FG: 2kVAC, O/P-FG: 0.5kVAC
 Working temperature -30~+70°C (refer to output derating curve)
 Safety standards UL60950-1, TUV EN60950-1 approved
 EMC standards EN55022 conduction class B, radiation class A, EN61000-3-2,3, EN61000-4-2,3,4,5,6,8,11

| Model No. | Output | Tol. | R&N | Effi. |
|------------|---------------|-----------|-------|-------|
| EPP-300-12 | 12V, 0~25.0A | $\pm 3\%$ | 120mV | 90.0% |
| EPP-300-15 | 15V, 0~20.0A | $\pm 3\%$ | 120mV | 90.0% |
| EPP-300-24 | 24V, 0~12.5A | $\pm 2\%$ | 150mV | 92.5% |
| EPP-300-27 | 27V, 0~11.12A | $\pm 2\%$ | 200mV | 93.0% |
| EPP-300-48 | 48V, 0~6.25A | $\pm 2\%$ | 250mV | 93.0% |



PCB Type: 144x 90x 35 mm
External Case Type: 180x 96x 49 mm

Power Factor Correction Choke



Output Diode of Charger

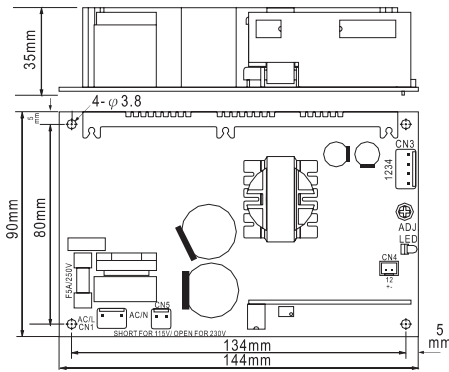
2 Color LED Indication

Fan Connector

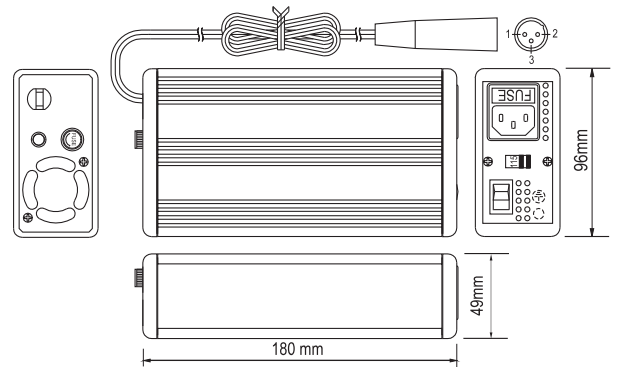
Fast Charging Circuit (A/B Selectable)

115 / 230 Selectable

P.C.B. Dimension



Case Drawing



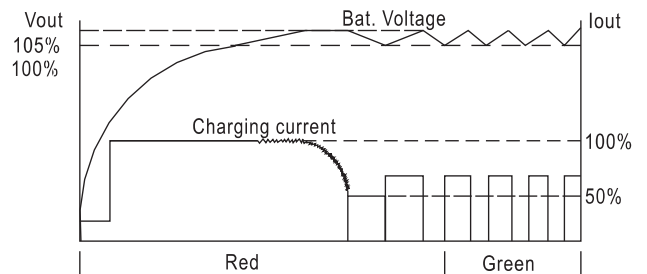
Features

- AC input range selectable by switch
- Passive PFC, PF> 0.65(option)
- Protection for deeply discharged battery
- Protections: Short circuit / Overload / Over voltage / Over temperature
- Charger for lead-acid batteries
- Built-in ON/OFF power switch
- 3 poles AC inlet with fuse holder
- Charging type can be selected (option)
- 2 color LED loading indicator
- EN60335 approved
- Low cost, high reliability
- Open frame models available (without safety approval)
- 2 years warranty

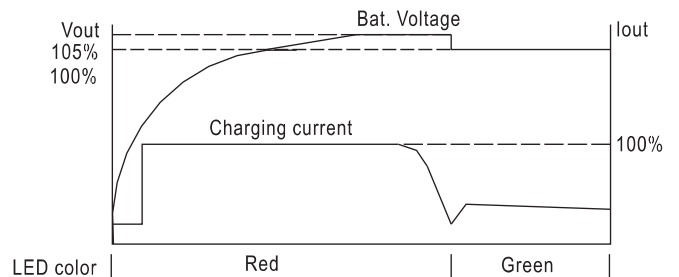
General Specification

AC input voltage range 88~132VAC/ 176~264VAC selectable by switch
AC inrush current (max.)Cold start, 25A at 115VAC, 50A at 230VAC
Overload protection90%~110% constant current limiting ,auto-recovery
Over voltage protection 108%~127% rated output voltage
Setup, rise, hold up time1000ms, 50ms, 16ms at full load and 230VAC
Withstand voltage I/P-O/P: 3kVAC, I/P-FG: 1.5kVAC, O/P-FG: 0.5kVAC, 1 minute
Working temperature -10~+45°C, derating curve may vary for different models
Safety standardsUL60950-1, TUV EN60950-1, EN60335-1, EN60335-2-29(except for 55.2V) approved
EMC standards EN55022 class B, EN61000-4-2,3,4,5,6,8,11, EN61000-3-2,3
DC output cable 6 ft. of SPT-2, 18AWGx2C
Standard output connector ... XLR 3P, male type
Packing1.1kg ; 16pcs / 17.9kg / 1.47CUFT (without PFC)
1.24kg ; 16pcs / 20.1kg / 1.47CUFT (with PFC)

Charging Curve



Type A: pulse charger (detect on bat. voltage)



Type B: 2 section voltage charger (detect on charging current)

Order Information

P A - 120 P - 13 C

A: Pulse charge
B: 2 section voltage charge

P : Open P.C.B.
C : With case

P: With PFC
N: None PFC

13: 13.8V
27: 27.6V
54: 55.2V

108W~216W Desktop Power Supply or Charger



- AC input range selectable by switch
- Protections: Short circuit / Overload / Over voltage / Over temp.
- 3 color LED loading indicator
- Battery under / over voltage and polarity protection (ESC only)
- Cooling by free air convection (120W)
- Built-in DC fan with fan ON/OFF auto control at 50°C (240W)
- 2 years warranty

AC input voltage range 88~132VAC / 176~264VAC selectable by switch
 AC inrush current Cold start, 40A at 230VAC
 DC adjustment range 13.5V: 12~15V, 27V: 24~30V, 54V: 48~56V
 Overload protection 105%~135% fold back current limiting, auto-recovery
 Over voltage protection 115%~135% rated output voltage
 Withstand voltage I/P-O/P: 3kVAC, I/P-FG: 1.5kVAC, 1minute
 Working temperature -10~+60°C (refer to output derating curve)
 Safety standards CSA 61010-1 approved
 EMC standards EN55022/B, EN61000-3-2,3, EN61000-4-2,3,4
 Packing 1.38kg ; 8pcs / 12.0kg / 1.1CUFT (120W)
 1.5kg ; 8pcs / 13.0kg / 1.1CUFT (240W)

◆ ESC/P-120 Series

| Model No. | Output | Tol. | R&N | Effi. |
|--------------|-------------|------|-------|-------|
| ESC-120-13.5 | 13.5V, 0~8A | ±2% | 120mV | 81% |
| ESC-120-27 | 27V, 0~4A | ±1% | 150mV | 83% |
| ESC-120-54 | 54V, 0~2A | ±1% | 400mV | 84% |
| ESP-120-13.5 | 13.5V, 0~8A | ±2% | 120mV | 81% |
| ESP-120-27 | 27V, 0~4A | ±1% | 150mV | 83% |
| ESP-120-54 | 54V, 0~2A | ±1% | 400mV | 84% |

◆ ESC/P-240 Series

| Model No. | Output | Tol. | R&N | Effi. |
|--------------|--------------|------|-------|-------|
| ESC-240-13.5 | 13.5V, 0~16A | ±2% | 120mV | 81% |
| ESC-240-27 | 27V, 0~8A | ±1% | 150mV | 84% |
| ESC-240-54 | 54V, 0~4A | ±1% | 400mV | 85% |
| ESP-240-13.5 | 13.5V, 0~16A | ±2% | 120mV | 81% |
| ESP-240-27 | 27V, 0~8A | ±1% | 150mV | 84% |
| ESP-240-54 | 54V, 0~4A | ±1% | 400mV | 85% |

230W Single Output Battery Charger



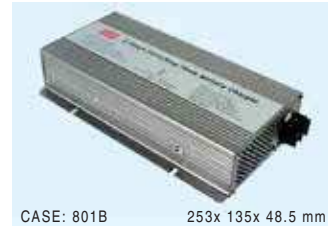
- 3 stage charging
- Universal AC input / Full range
- Built-in active PFC function
- Protections: Short circuit / Over voltage / Over temperature
- 2 color LED loading indicator
- Built-in remote ON-OFF control
- Fan ON/OFF control
- Low cost, high reliability
- 2 years warranty

AC input voltage range 90~264VAC; 127~370VDC
 AC inrush current (max.) .. Cold start, 50A at 230VAC
 Over voltage protection 102%~125% shut off, re-power on to recover
 Withstand voltage I/P-O/P: 3kVAC, I/P-FG: 1.5kVAC, O/P-FG: 0.5kVAC
 Working temperature -20~+50°C (refer to output derating curve)
 Safety standards UL1012(PB-230xx-AD1 only), EN60950-1 approved
 EMC standards EN55022 class B, EN61000-4-2,3,4,5,6,8,11, EN61000-3-2,3
 Packing 1.21Kg ; 12pcs / 15.5kg / 1.29CUFT

| Model No. | Output | Effi. |
|------------|--------------|-------|
| PB-230-12□ | 14.4V, 0~16A | 81.5% |
| PB-230-24□ | 28.8V, 0~8A | 85.5% |
| PB-230-48□ | 57.6V, 0~4A | 86.0% |

□ = Blank, AD1; Blank= XLR 4P, male type, AD1= Anderson connector

300W Single Output Battery Charger



- Optimal 3 stage charging characteristic
- AC input range selectable by switch
- Passive PFC compliance to EN61000-3-2 class A (option)
- Protections: Reverse polarity / Short circuit / Over voltage / Over temperature
- Charger for lead-acid batteries
- Built-in ON/OFF power switch
- 3 poles AC inlet (IEC 320-C14)
- 2 color LED loading indicator
- Built-in remote ON/OFF control
- Cooling by free air convection
- 3 years warranty

AC input voltage range 90~132VAC / 180~264VAC selectable by switch
 AC inrush current (max.) .. Cold start, 60A at 230VAC
 Over voltage protection 108%~125% rated output voltage
 Withstand voltage I/P-O/P: 3kVAC, I/P-FG: 1.5kVAC, 1 minute
 Working temperature -10~+50°C (refer to output derating curve)
 Safety standards IEC60335-2-29 CB approval by TUV (except for 48V), UL60950-1 approved
 EMC standards EN55022 class B, EN61000-4-2,3,4,5,6,8,11, EN61000-3-2,3 (P type)
 Packing 1.45kg ; 6pcs / 9.7kg / 0.95CUFT

| Model No. | Output (20 min.) / (Continuous at 25°C) | Effi. |
|------------|---|-------|
| PB-300□-12 | 14.4V, 20.85A / 12.5A | 85% |
| PB-300□-24 | 28.8V, 10.50A / 6.25A | 86% |
| PB-300□-48 | 57.6V, 5.3A / 3.20A | 88% |

□ = P: with PFC; N: non PFC

360W Single Output Battery Charger



- Optimal 3 stage charging characteristic
- AC input range selectable by switch
- Passive PFC compliance to EN61000-3-2 class A (option)
- Protections: Reverse polarity / Short circuit / Over voltage / Over temperature
- Charger for lead-acid batteries
- Built-in ON/OFF power switch
- 3 poles AC inlet (IEC 320-C14)
- 2 color LED loading indicator
- Built-in remote ON/OFF control
- Cooling by built-in DC fan
- 3 years warranty

AC input voltage range 90~132VAC / 180~264VAC selectable by switch
 AC inrush current (max.) .. Cold start, 60A at 230VAC
 Over voltage protection 108%~125% rated output voltage
 Withstand voltage I/P-O/P: 3kVAC, I/P-FG: 1.5kVAC, 1 minute
 Working temperature -20~+60°C (refer to output derating curve)
 Safety standards IEC60335-2-29 CB approval by TUV (except for 48V), UL60950-1 approved
 EMC standards EN55022 class B, EN61000-4-2,3,4,5,6,8,11, EN61000-3-2,3 (P type)
 Packing 1.5kg ; 6pcs / 10kg / 0.95CUFT

| Model No. | Output | Effi. |
|------------|--------------|-------|
| PB-360□-12 | 14.4V, 24.3A | 85% |
| PB-360□-24 | 28.8V, 12.5A | 86% |
| PB-360□-48 | 57.6V, 6.25A | 87% |

□ = P: with PFC; N: non PFC

600W Single Output Battery Charger



CASE: 805C 230x 158x 67 mm

- 2/3/8 stage smart charger for lead-acid batteries
- Microprocessor controlled power management
- Universal AC input / Full range
- Built-in active PFC function
- Protections: Reverse polarity / Short circuit / Over voltage / Over temperature
- Built-in temp. compensation function
- Status signal sent by relay contacts
- 3 color LED loading indicator
- Built-in remote ON-OFF control
- Fan speed control (depend on charging current)
- **Charging curve can be modified for different battery applications (optional)**
- 3 years warranty

AC input voltage range 90~264VAC; 127~370VDC
 AC inrush current (max.) ... Cold start, 50A at 230VAC
 Over voltage protection 112%~125% shut off, re-power on to recover
 Withstand voltage I/P-O/P: 3kVAC, I/P-FG: 2kVAC, O/P-FG: 0.5kVAC
 Working temperature -20~+60°C (refer to output derating curve)
 Safety standards TUV EN60335-1, EN60335-2-29(except for 48V), EN60950-1(48V only), UL1012 approved
 EMC standards EN55022 class B, EN61000-3-2,3, EN61000-4-2,3,4,5,6,8,11
 Connection IEC inlet for input; copper pillars for output
 Packing 2.2kg ; 6pcs / 14.2kg / 1.76CUFT

| Model No. | Output | Effi. |
|-----------|----------------|-------|
| PB-600-12 | 14.4V, 0~40.0A | 86% |
| PB-600-24 | 28.8V, 0~21.0A | 87% |
| PB-600-48 | 57.6V, 0~10.5A | 89% |

600W Single Output Battery Charger



CASE: 228 280x 144x 48.5 mm

- 3 stage charging characteristic
- Universal AC input / Full range
- Built-in active PFC function
- No load power consumption < 0.5W at remote OFF
- **High efficiency up to 95.5%**
- Protections: Short circuit / Over voltage / Over temperature
- **Fanless design, cooling by free air convection**
- Vo and Io can be adjusted through internal potentiometer
- Aluminum case and filling with heat-conducted glue
- Withstand 5G vibration test
- Charger for lead-acid batteries
- 3 color LED loading indicator
- 5 years warranty

AC input voltage range 90~264VAC; 127~370VDC
 AC inrush current (max.) ... Cold start, 70A at 230VAC
 DC adjustment range -20%~+5% rated output voltage
 Current adjustment range ..50%~100% rated output current
 Over voltage protection 112%~142% shut off, re-power on to recover
 Withstand voltage I/P-O/P: 3kVAC, I/P-FG: 2kVAC, O/P-FG: 1.5kVAC
 Working temperature -40~+70°C (refer to output derating curve)
 Safety standards UL60950-1, TUV EN60950-1 approved
 EMC standards EN55022 conduction class B, radiation class A EN61000-3-2,3, EN61000-4-2,3,4,5,6,8,11
 Connection +7P/11mm pitch terminal block with cover

| Model No. | Output | Effi. |
|-------------|----------------|-------|
| HEP-600C-12 | 14.4V, 0~35.0A | 93.5% |
| HEP-600C-24 | 28.8V, 0~21.0A | 94.5% |
| HEP-600C-48 | 57.6V, 0~10.5A | 95.5% |

1000W Single Output Battery Charger



CASE: 804B 300x 184x 70 mm

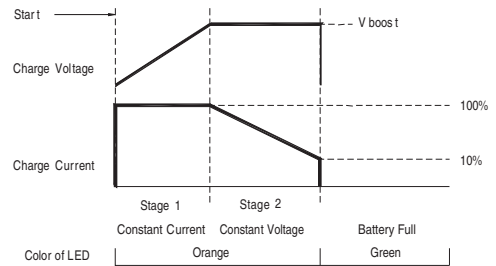
- 2/3/8 stage smart charger for lead-acid batteries
- Microprocessor controlled power management
- Universal AC input / Full range
- Built-in active PFC function
- Protections: Reverse polarity / Short circuit / Over voltage / Over temperature
- Built-in temp. compensation function
- Can be connected to 2 battery banks
- Status signal sent by relay contacts
- 3 color LED loading indicator
- Built-in remote ON/OFF control
- Fan speed control
- **Charging curve can be modified for different battery applications (optional)**
- 3 years warranty

AC input voltage range 90~264VAC ; 127~370VDC
 AC inrush current (max.) Cold start, 50A at 230VAC
 Over voltage protection 110%~125% shut off, re-power on to recover
 Withstand voltage I/P-O/P: 3kVAC, I/P-FG: 2kVAC, 1 minute
 Working temperature -20~+60°C (refer to output derating curve)
 Safety standards UL60950-1, TUV EN60950-1 approved
 EMC standards EN55022 class B conducted, EN61000-4-2,3,4,5,6,8,11, EN61000-3-2,3
 Connection IEC inlet for input; copper pillars for output
 Packing 3.5kg ; 4pcs / 15kg / 1.83CUFT

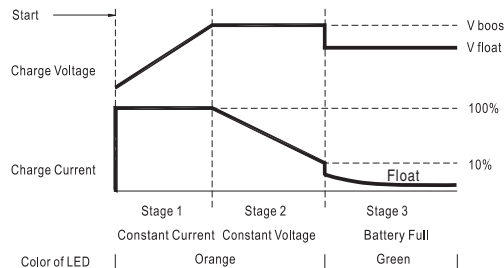
| Model No. | Output | Effi. |
|------------|--------------|-------|
| PB-1000-12 | 14.4V, 60.0A | 85% |
| PB-1000-24 | 28.8V, 34.7A | 88% |
| PB-1000-48 | 57.6V, 17.4A | 89% |

Built-in Charging Curves for PB-600 and PB-1000

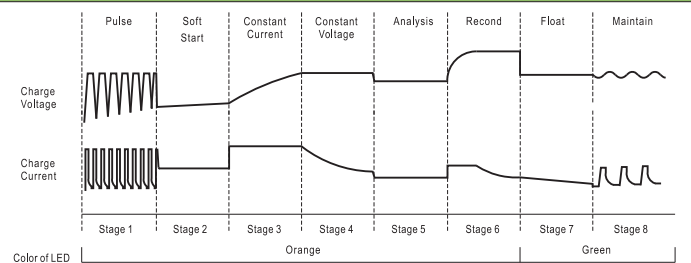
2-Stage Charging Curve



3-Stage Charging Curve



8-Stage Charging Curve



30W Green Adaptor with Charging Function

- Universal AC input / Full range
- Class II power (without earth pin)
- **No load power consumption < 1W**
- Constant current and voltage (CC, CV mode)
- High reliability
- Suitable for high surge current equipment
- Protections: Short circuit / Overload / Over voltage / Over temp.
- 2 color LED indicator for charging status
- Fully enclosed plastic case
- 2 years warranty



AC input voltage range 90~264VAC; 127~370VDC
 Overload protection 90%~110% constant current mode and over 300% pulsing mode
 Over voltage protection 110%~135% rated output voltage
 Withstand voltage I/P-O/P: 3kVAC, 1minute
 Working temperature 0~+50°C (refer to output derating curve)
 Safety standards UL60950-1, CSA 22.2, TUV EN60950-1 approved
 EMC standards EN55014-1, EN61000-3-2,3, EN61000-4-2,3,4,5,6,11
 Length of output cable 120cm of UL1185, 16AWG for 4.2~8.4V
 180cm of UL1185, 18AWG for 14.3~28.6V
 Standard DC plug P1J: 2.1øx5.5øx11mm / C+, tuning fork type

| Order No. | Output | R&N | Effi. |
|-------------|----------------|-------|-------|
| GC30□-0P1J | 4.2V, 0~4.00A | 50mV | 55% |
| GC30□-1P1J | 5.6V, 0~3.99A | 50mV | 70% |
| GC30□-11P1J | 7.2V, 0~3.00A | 80mV | 74% |
| GC30□-2P1J | 8.4V, 0~3.00A | 80mV | 76% |
| GC30□-4P1J | 14.3V, 0~2.09A | 100mV | 78% |
| GC30□-5P1J | 16.8V, 0~1.60A | 100mV | 78% |
| GC30□-6P1J | 28.6V, 0~1.04A | 150mV | 80% |

□ = B / U / E ; B: IEC320-C8, U: American 2P, E: European 2P

120W Green Adaptor with Charging Function



- Universal AC input / Full range
- Built-in active PFC function
- **No load power consumption < 0.5W**
- High efficiency up to 91%
- 2 stage charging characteristic
- Cooling by free air convection
- 3 pole AC inlet IEC320-C14
- Class I power (with earth pin)
- Protections: Short circuit / Overload / Over voltage / Over temp.
- Fully enclosed plastic case
- 2 color LED indicator for charging status
- 2 years warranty

AC input voltage range 85~264VAC; 120~370VDC
 Overload protection 90~110% constant current, auto-recovery
 Over voltage protection 105%~135% shut down O/P voltage, re-power on to recover
 Withstand voltage I/P-O/P: 3kVAC
 Working temperature -30~+70°C (refer to derating curve)
 Safety standards UL1012 (GC120Axx-AD1 only), EN60950-1 approved
 EMC standards EN55022 class B, FCC part 15 class B, EN61000-3-2,3, EN61000-4-2,3,4,5,6,8,11
 Length of output cable 120cm of UL2464, 18AWGx 4C
 Standard DC plug Power DIN 4P with lock type (R7B)

| Model No. | Output | Effi. |
|------------|--------------|-------|
| GC120A12-□ | 13.6V, 7.5A | 86.5% |
| GC120A24-□ | 27.2V, 4.42A | 90.0% |
| GC120A48-□ | 54.4V, 2.21A | 91.0% |

□ = R7B / AD1 ; R7B= 4 pin power din, AD1= Anderson connector

160W Green Adaptor with Charging Function



- Universal AC input / Full range
- Built-in active PFC function
- **No load power consumption < 1W**
- High efficiency up to 94%
- 2 stage charging characteristic
- Cooling by free air convection
- 3 pole AC inlet IEC320-C14
- Class I power (with earth pin)
- Protections: Short circuit / Overload / Over voltage / Over temp.
- Fully enclosed plastic case
- 2 color LED indicator for charging status
- 2 years warranty

AC input voltage range 85~264VAC; 120~370VDC
 Overload protection 90%~110% constant current, auto-recovery
 Over voltage protection 105%~135% rated output voltage, re-power on to recover
 Withstand voltage I/P-O/P: 3kVAC
 Working temperature -30~+70°C (refer to derating curve)
 Safety standards UL1012(GC160Axx-AD1 only), EN60950-1 approved
 EMC standards EN55022 class B, FCC part 15 class B, EN61000-3-2,3, EN61000-4-2,3,4,5,6,8,11
 Length of output cable 120cm of UL2464, 18AWGx 4C
 Standard DC plug Power DIN 4P with lock type (R7B)

| Model No. | Output | Effi. |
|------------|--------------|-------|
| GC160A12-□ | 13.6V, 10.0A | 89.0% |
| GC160A24-□ | 27.2V, 5.89A | 92.5% |
| GC160A48-□ | 54.4V, 2.95A | 94.0% |

□ = R7B / AD1 ; R7B= 4 pin power din, AD1= Anderson connector

218W & 326W Green Adaptor with Charging Function



- Universal AC input / Full range
- Built-in active PFC function
- **No load power consumption < 1W**
- High efficiency up to 93.5%
- 2 stage charging characteristic
- Cooling by free air convection
- 3 pole AC inlet IEC320-C14
- Class I power (with earth pin)
- Protections: Short circuit / Overload / Over voltage / Over temperature
- Fully enclosed plastic case
- 2 color LED indicator for charging status
- 2 years warranty

| | GC220 | GC330 |
|-----------|-----------|-----------|
| Case (mm) | 210x85x46 | 220x95x46 |
| Connector | | |

AC input voltage range 90~264VAC; 127~370VDC
 Overload protection 90%~110% constant current, auto-recovery
 Over voltage protection 105%~135% rated output voltage, re-power on to recover
 Withstand voltage I/P-O/P: 3kVAC
 Working temperature -30~+60°C (refer to output derating curve)
 Safety standards GC220: TUV EN60950-1, UL1012 (GC220Axx-AD1 only) approved
 GC330: TUV EN60950-1, UL60950-1 approved
 EMC standards EN55022 class B, FCC part 15 class B, EN61000-3-2,3, EN61000-4-2,3,4,5,6,8,11
 Length of output cable 100cm of UL2464, 16AWGx 4C
 Standard DC plug ... GC220: Power DIN 4P with lock type (R7B)
 GC330: 4P/6.35mm pitch, AMP 1-480702-0 (power supply side); AMP 1-480703-0 (customer side)

GC220 Series

| Model No. | Output | Effi. |
|------------|--------------|-------|
| GC220A12-□ | 13.6V, 13.5A | 89.0% |
| GC220A24-□ | 27.2V, 8A | 92.5% |
| GC220A48-□ | 54.4V, 4A | 93.0% |

□ = R7B / AD1 ; R7B= 4 pin power din, AD1= Anderson connector

GC330 Series

| Model No. | Output | Effi. |
|--------------|-----------|-------|
| GC330A36-C4P | 40.8V, 8A | 93.5% |
| GC330A48-C4P | 54.4V, 6A | 93.5% |

Industrial Adaptor

12~24W Single Output and Interchangeable Type



▲ GE12 70.7x 40x 38.8 mm

▲ GE18/24 81x 43x 40.5 mm

■ Features

- Interchangeable AC plugs (plug kit sold separately)
- Universal AC input / Full range
- No load power consumption <0.3W
- ErP step 2 / EISA 2007 (Level V)
- Class II power (without earth pin)
- Protections: Short circuit / Over voltage / Overload
- Fully enclosed plastic case
- LED indicator for power on
- Pass LPS
- Approvals:
UL / CUL / TUV / CCC / RCM / CB / FCC / CE
- 2 years warranty

■ General Specification (Please refer to www.meanwell.com for detail spec.)



| | |
|---------------------------|--|
| AC input voltage range | 90~264VAC / 0.4A for GE12; 90~264VAC / 0.7A for GE18/24 |
| AC inrush current (max.) | Cold start, 40A at 100VAC; 80A at 230VAC |
| Overload protection | Hiccup mode, auto-recovery |
| Over voltage protection | 115%~135% rated output voltage |
| Setup, rise, hold up time | 4000ms, 100ms, 30ms at 230VAC input |
| Withstand voltage | I/P-O/P:4242VDC, 1 minute |
| Working temperature | -10~+50°C (refer to output derating curve) |
| Safety standards | UL60950-1, CSA22.2, EN60950-1, GB4943, AS/NZS 60950.1 approved |
| EMC standards | EN55022 class B, EN61000-3-2,3, EN61000-4-2,3,4,5,6,8,11, FCC part15 class B, GB9254 |
| Length of output cable | 150cm of AWM2468, 20AWG for GE12; 150cm of AWM2468, 18AWG for GE18/24 |
| Standard DC plug | P1J: 2.1øx5.5øx11mm / C+, tuning fork type (refer to page 62 for DC plug list) |

■ Wall-mounted (Interchangeable Type)—12W

| Order No. (Main body) | Output | Tol. | R&N | Effi. |
|-----------------------|---------------|------|-------|-------|
| GE12I05-P1J | 5V, 0~2.00A | ±5% | 50mV | 74% |
| GE12I07-P1J | 7.5V, 0~1.33A | ±5% | 75mV | 77% |
| GE12I09-P1J | 9V, 0~1.33A | ±5% | 100mV | 79% |
| GE12I12-P1J | 12V, 0~1.00A | ±3% | 120mV | 81% |
| GE12I15-P1J | 15V, 0~0.80A | ±3% | 150mV | 82% |
| GE12I18-P1J | 18V, 0~0.83A | ±3% | 180mV | 83% |
| GE12I24-P1J | 24V, 0~0.625A | ±3% | 240mV | 83% |



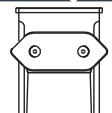
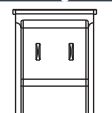
■ Wall-mounted (Interchangeable Type)—24W

| Order No. (Main body) | Output | Tol. | R&N | Effi. |
|-----------------------|---------------|------|-------|-------|
| GE24I05-P1J | 5V, 0~3.00A | ±5% | 50mV | 76.5% |
| GE24I07-P1J | 7.5V, 0~2.00A | ±5% | 75mV | 79.5% |
| GE24I09-P1J | 9V, 0~2.22A | ±5% | 100mV | 81.5% |
| GE24I12-P1J | 12V, 0~2.00A | ±3% | 120mV | 82.5% |
| GE24I15-P1J | 15V, 0~1.60A | ±3% | 150mV | 84.0% |
| GE24I18-P1J | 18V, 0~1.33A | ±3% | 180mV | 84.0% |
| GE24I24-P1J | 24V, 0~1.00A | ±3% | 240mV | 85.0% |
| GE24I48-P1J | 48V, 0~0.50A | ±3% | 300mV | 85.0% |

■ Wall-mounted (Interchangeable Type)—18W

| Order No. (Main body) | Output | Tol. | R&N | Effi. |
|-----------------------|---------------|------|-------|-------|
| GE18I05-P1J | 5V, 0~2.40A | ±5% | 50mV | 75% |
| GE18I07-P1J | 7.5V, 0~1.73A | ±5% | 75mV | 79% |
| GE18I09-P1J | 9V, 0~2.00A | ±5% | 100mV | 81% |
| GE18I12-P1J | 12V, 0~1.50A | ±3% | 120mV | 82% |
| GE18I15-P1J | 15V, 0~1.20A | ±3% | 150mV | 84% |
| GE18I18-P1J | 18V, 0~1.00A | ±3% | 180mV | 84% |
| GE18I24-P1J | 24V, 0~0.75A | ±3% | 240mV | 85% |
| GE18I48-P1J | 48V, 0~0.375A | ±3% | 300mV | 85% |

► Interchangeable AC Inlet Plug

| AC Plug Type |  |  |
|-------------------|---|---|
| | Australian Type | U.K. Type |
| AC Plug Order No. | AC Plug-AU | AC Plug-UK |
| AC Plug Type |  |  |
| | European Type | U.S. Type |
| AC Plug Order No. | AC Plug-EU | AC Plug-US |

Note: Main body unit and AC plug should be ordered separately; The main body needs to be used along with any of the AC plug.

6W Green Adaptor

- Universal AC input / Full range
- No load power consumption < 0.3W
- ErP step 2 / EISA 2007 (Level V)
- 2 pole US / European type plug
- Class II power (without earth pin)
- Protections: Short circuit / Overload / Over voltage
- Pass LPS
- Fully enclosed plastic case
- Approvals: UL/CUL/CB/FCC/CE for GS06U TUV/CB/FCC/CE for GS06E
- 2 years warranty



AC input voltage range 90~264VAC ; 127~370VDC
 AC inrush current(max.) ... Cold start, 50A at 230VAC
 Overload protection Hiccup mode, auto-recovery
 Over voltage protection ... Clamp by zener diode >120%
 Withstand voltage I/P-O/P: 4242VDC, 1minute
 Working temperature 0~+50°C (refer to output derating curve)
 Safety standards UL60950-1, CSA 22.2, TUV EN60950-1
 EMC standards EN55022, EN61000-3-2,3, EN61000-4-2,3,4,5,6,11, FCC part 15 class B
 Length of output cable 180cm of UL1185, 20AWG

| Order No. | Output | Tol. | R&N | Effi. |
|-------------|---------------|------|-------|-------|
| GS06□-1P1J | 5V, 0~1.00A | ±5% | 50mV | 68% |
| GS06□-11P1J | 7.5V, 0~0.80A | ±5% | 80mV | 74% |
| GS06□-2P1J | 9V, 0~0.66A | ±5% | 80mV | 75% |
| GS06□-3P1J | 12V, 0~0.50A | ±3% | 100mV | 77% |
| GS06□-4P1J | 15V, 0~0.40A | ±3% | 120mV | 78% |
| GS06□-5P1J | 18V, 0~0.33A | ±3% | 150mV | 78% |
| GS06□-6P1J | 24V, 0~0.25A | ±2% | 180mV | 82% |
| GS06□-8P1J | 48V, 0~0.125A | ±2% | 200mV | 84% |

□ = U/E ; U: American 2P, E: European 2P

12W Green Adaptor

- Universal AC input / Full range
- No load power consumption < 0.3W
- ErP step 2 / EISA 2007 / MEPS (Level V)
- 2 pole US / European type plug
- Class II power (without earth pin)
- Protections: Short circuit / Overload / Over voltage / Over temp.
- Pass LPS
- Fully enclosed plastic case
- Approvals: UL/CUL/BSMI/CB/FCC for GS12U TUV/CB/CE for GS12E
- 2 years warranty



AC input voltage range 90~264VAC ; 127~370VDC
 AC inrush current(max.) ... Cold start, 45A at 230VAC
 Overload protection Hiccup mode, auto-recovery
 Over voltage protection ... 115%~135% clamp by zener diode
 Withstand voltage I/P-O/P: 3kVAC, 1minute
 Working temperature 0~+50°C (refer to output derating curve)
 Safety standards UL60950-1, CSA 22.2, BSMI CNS14336, TUV EN60950-1
 EMC standards EN55022, EN61204-3, EN61000-3-2,3, EN61000-4-2,3,4,5,6,8,11, FCC part15 class B

| Order No. | Output | Tol. | R&N | Effi. |
|--------------|---------------|------|-------|-------|
| GS12□ 05-P11 | 5V, 0~2.00A | ±5% | 75mV | 76.0% |
| GS12□ 07-P11 | 7.5V, 0~1.60A | ±4% | 90mV | 78.5% |
| GS12□ 09-P11 | 9V, 0~1.33A | ±4% | 90mV | 78.5% |
| GS12□ 12-P11 | 12V, 0~1.00A | ±3% | 120mV | 78.5% |
| GS12□ 15-P11 | 15V, 0~0.80A | ±3% | 150mV | 80.0% |
| GS12□ 18-P11 | 18V, 0~0.67A | ±3% | 180mV | 80.0% |
| GS12□ 24-P11 | 24V, 0~0.50A | ±3% | 200mV | 80.5% |

□ = U/E ; U: American 2P, E: European 2P

5W Green USB Adaptor



- Universal AC input / Full range
- No load power consumption < 0.3W
- GS05U-USB: EISA 2007 (Level V)
- GS05E-USB: ErP step 2 (Level V)
- Compact size
- 2 pole US / European type plug
- Class II power (without earth pin)
- Protections: Short circuit / Overload / Over voltage / Over temp.
- Pass LPS
- Fully enclosed plastic case
- 2 years warranty

AC input voltage range 90~264VAC ; 127~370VDC
 Overload protection 105%~135% rated output power, hiccup mode, auto-recovery
 Over voltage protection 105%~200% rated output voltage, hiccup mode, auto-recovery
 Withstand voltage I/P-O/P: 4242VDC, 1 minute
 Working temperature -20~+50°C (refer to output derating curve)
 Safety standards U-Type: UL60950-1, CSA22.2 approved
 E-Type: TUV EN60950-1 approved
 EMC standards FCC part15 class B(U Type); EN55022 class B(E Type)
 Standard DC plug USB Type A

| Order No. | Output | Tol. | R&N | Effi. |
|-----------|----------|------|------|-------|
| GS05U-USB | 5V, 0~1A | ±4% | 90mV | 69% |
| GS05E-USB | 5V, 0~1A | ±4% | 80mV | 71% |

15W Green Adaptor

- Universal AC input / Full range
- No load power consumption < 0.3W
- ErP step 2 / EISA 2007 (Level V)
- Pass LPS
- Protections: Short circuit / Overload / Over voltage / Over temp.
- Fully enclosed plastic case
- Approvals: UL/CUL/TUV/CB/FCC/CE for GS15A/B TUV/CB/FCC/CE for GS15E
- 2 years warranty



AC input voltage range 90~264VAC ; 127~370VDC
 AC inrush current(max.) Cold start, 50A at 230VAC
 Overload protection Hiccup mode, auto-recovery
 Over voltage protection Clamp by zener diode > 120%
 Withstand voltage I/P-O/P: 3kVAC, I/P-FG: 1.5kVAC, 1 minute
 Working temperature 0~+50°C (refer to output derating curve)
 Safety standards UL60950-1, CSA 22.2, TUV EN60950-1 approved
 EMC standards EN55022-B, EN61000-3-2,3, EN61000-4-2,3,4,5,6,11, FCC part 15 class B
 Length of output cable 180cm of UL1185, 18AWG
 Standard DC plug P1J: 2.1øx5.5øx11mm / C+, tuning fork type (refer to page 62 for DC plug list)

| Order No. | Output | Tol. | R&N | Effi. |
|-------------|---------------|------|-------|-------|
| GS15□-1P1J | 5.0V, 0~2.40A | ±5% | 50mV | 75% |
| GS15□-11P1J | 7.5V, 0~1.60A | ±5% | 80mV | 78% |
| GS15□-2P1J | 9.0V, 0~1.66A | ±5% | 80mV | 80% |
| GS15□-3P1J | 12V, 0~1.25A | ±3% | 80mV | 80% |
| GS15□-4P1J | 15V, 0~1.00A | ±3% | 100mV | 80% |
| GS15□-5P1J | 18V, 0~0.83A | ±3% | 120mV | 81% |
| GS15□-6P1J | 24V, 0~0.62A | ±2% | 150mV | 83% |
| GS15□-8P1J | 48V, 0~0.31A | ±2% | 240mV | 85% |

□ = A/B/E/U ; A: IEC320-C14, B: IEC320-C8
 E: European 2P, U: American 2P

Industrial Adaptor

18~36W Single Output



GS18/25A

93x 54x 36 mm



GS18/25B

79x 54x 33 mm



GS18/25/36U

79x 54x 33 mm



GS18/25/36E

79x 54x 33 mm

Features

- Universal AC input / Full range
- No load power consumption < 0.3W
- ErP step 2 / EISA 2007 / NRCAN / MEPS (Level V)
- 2 pole USA / EURO plug or IEC320-C14/C8
- Class II power (without earth pin) for B/E/U type
- Class I power (with earth pin) only for A type
- Protections: Short circuit / Overload / Over voltage
- Fully enclosed plastic case
- LED indicator for power on (except for GS36)
- Pass LPS
- Approvals:
 - A type: UL / CUL / TUV / BSMI / CCC / PSE / CB / FCC / CE
 - B type: UL / CUL / TUV / BSMI / CCC / CB / FCC / CE
 - U type: UL / CUL / BSMI / CB / FCC
 - E type: TUV / CB / CE
- 2 years warranty

General Specification (Please refer to www.meanwell.com for detail spec.)

| Order No. | GS18 | GS25 | GS36 |
|--------------------------|---|------------------------------|---|
| AC input voltage range | 90~264VAC / 0.5A | 90~264VAC / 0.7A | |
| AC inrush current (max.) | Cold start, 45A at 230VAC | | Cold start, 60A at 230VAC |
| Overload protection | Range | 105%~150% rated output power | 110%~250% rated output power |
| | Type | Hiccup mode, auto-recovery | |
| Over voltage protection | 105%~135% rated output voltage, clamp by zener diode | | |
| Withstand voltage | I/P-O/P: 4242VDC, 1 minute | | |
| Working temperature | 0~+50°C (refer to output derating curve) | | -20~+50°C (refer to output derating curve) |
| Safety standards | A-Type: UL60950-1, CSA 22.2, TUV EN60950-1, BSMI CNS14336, PSE J60950-1(GS18A/GS25A-5V~28V only), CCC GB4943 approved B-Type: UL60950-1, CSA 22.2, TUV EN60950-1, BSMI CNS14336, CCC GB4943 approved U-Type: UL60950-1, CSA22.2, BSMI CNS14336 approved E-Type: TUV EN60950-1 approved | | |
| EMC standards | EN55022 class B, EN61000-3-2,3, EN61000-4-2,3,4,5,6,8,11(A/B/E type), FCC part 15 class B(A/B/U type), CNS13438(A/B/U type), GB9254(A/B type) | | |
| Length of output cable | 120cm of 16AWG for 5~12V ; 180cm of UL1185, 18AWG for 15~48V | | 100cm of UL1185, 16AWG |
| Standard DC plug | P1J: 2.1øx5.5øx11mm / C+, tuning fork type (refer to page 62 for DC plug list) | | |

Desktop / Wall-mounted — 18W



| Order No. | Output | Tol. | R&N | Effi. |
|-------------|---------------|------|-------|-------|
| GS18□05-P1J | 5V, 0~3.00A | ±5% | 50mV | 79.5% |
| GS18□07-P1J | 7.5V, 0~2.00A | ±5% | 80mV | 82.0% |
| GS18□09-P1J | 9V, 0~2.00A | ±5% | 80mV | 83.0% |
| GS18□12-P1J | 12V, 0~1.50A | ±3% | 80mV | 85.0% |
| GS18□15-P1J | 15V, 0~1.20A | ±3% | 100mV | 85.0% |
| GS18□18-P1J | 18V, 0~1.00A | ±3% | 150mV | 85.0% |

| Order No. | Output | Tol. | R&N | Effi. |
|-------------|---------------|------|-------|-------|
| GS18□24-P1J | 24V, 0~0.75A | ±2% | 180mV | 86.0% |
| GS18□28-P1J | 28V, 0~0.64A | ±2% | 240mV | 86.5% |
| GS18□48-P1J | 48V, 0~0.375A | ±2% | 240mV | 87.0% |

□ = A / B / U / E
 Class I — A: IEC320-C14
 Class II — B: IEC320-C8, U: American 2P, E: European 2P

Desktop / Wall-mounted — 25W



| Order No. | Output | Tol. | R&N | Effi. |
|-------------|---------------|------|-------|-------|
| GS25□05-P1J | 5V, 0~4.00A | ±5% | 50mV | 78.5% |
| GS25□07-P1J | 7.5V, 0~2.93A | ±5% | 80mV | 81.5% |
| GS25□09-P1J | 9V, 0~2.77A | ±5% | 80mV | 82.5% |
| GS25□12-P1J | 12V, 0~2.08A | ±3% | 80mV | 84.5% |
| GS25□15-P1J | 15V, 0~1.66A | ±3% | 100mV | 84.5% |
| GS25□18-P1J | 18V, 0~1.38A | ±3% | 150mV | 84.5% |

| Order No. | Output | Tol. | R&N | Effi. |
|-------------|--------------|------|-------|-------|
| GS25□24-P1J | 24V, 0~1.04A | ±2% | 180mV | 85.5% |
| GS25□28-P1J | 28V, 0~0.89A | ±2% | 240mV | 85.5% |
| GS25□48-P1J | 48V, 0~0.52A | ±2% | 240mV | 87.0% |

□ = A / B / U / E
 Class I — A: IEC320-C14
 Class II — B: IEC320-C8, U: American 2P, E: European 2P

Wall-mounted — 36W



| Order No. | Output | Tol. | R&N | Effi. |
|-------------|--------------|------|-------|-------|
| GS36□05-P1J | 5V, 0~4.50A | ±5% | 90mV | 76.5% |
| GS36□09-P1J | 9V, 0~3.50A | ±5% | 90mV | 81.5% |
| GS36□12-P1J | 12V, 0~3.00A | ±3% | 100mV | 84.5% |

| Order No. | Output | Tol. | R&N | Effi. |
|-------------|--------------|------|-------|-------|
| GS36□24-P1J | 24V, 0~1.50A | ±2% | 180mV | 85.5% |
| GS36□48-P1J | 48V, 0~0.75A | ±2% | 240mV | 87.5% |

□ = U / E ; U: American 2P, E: European 2P



■ Features

- Universal AC input / Full range
- No load power consumption <0.3W for GS40/60; <0.5W for GS90/120
- ErP step 2 / EISA 2007 / NRCAN / MEPS (Level V)
- Built-in active PFC function for GS90/120
- 3 pole AC inlet IEC320-C14
- Class I power (with earth pin)
- Protections: Short circuit / Over voltage / Overload / Over temp. (except for GS40)
- Fully enclosed plastic case
- LED indicator for power on
- Pass LPS (except for GS120)
- 2 years warranty

■ General Specification



| Order No. | GS40 | GS60 | GS90 | GS120 | |
|--|---|------------------------------|---|------------------|--|
| AC input voltage range | 90~264VAC / 1.0A | 90~264VAC / 1.4A | 90~264VAC / 2.0A | 85~264VAC / 1.4A | |
| AC inrush current (max.) | Cold start, 65A at 230VAC | | Cold start, 70A at 230VAC | | |
| Overload protection | Range | 105%~150% rated output power | 110%~150% | 105%~160% | |
| | Type | Hiccup mode, auto-recovery | | | |
| Over voltage protection | 105%~135% rated output voltage | | | | |
| Setup, rise, hold up time | 1000ms, 30ms, 50ms at 230VAC input | | 1000ms, 20ms, 20ms at 230VAC input | | |
| Withstand voltage | I/P-O/P:3kVAC, I/P-FG: 2kVAC, O/P-FG: 0.5kVAC | | | I/P-FG: 3kVAC | |
| Working temperature | -30~+60°C | | -30~+50°C | | |
| Safety standards | UL60950-1, TUV EN60950-1, BSMI CNS14336, CCC GB4943, PSE J60950-1(except for 48V) approved | | | | |
| EMC standards | EN55022 class B, EN61000-3-2,3, EN61000-4-2,3,4,5,6,8,11, CNS13438, GB9254, FCC part15 class B | | | | |
| Length of output cable | GS40: 100cm of UL1185, 16AWG for 5~15V; 180cm of UL1185, 18AWG for 18~48V GS60: 100cm of UL2464, 16AWG for 5~9V; 100cm of UL1185, 16AWG for 12~15V; 180cm of UL1185, 18AWG for 18~48V | | 100cm of UL1185, 14AWG for 12~15V; 120cm of UL1185, 16AWG for 19~48V | | 120cm of UL2464, 18AWGx4C |
| Standard DC plug (refer to page 62 for DC plug list) | P1J: 2.1øx5.5øx11mm / C+, tuning fork type | | P1M: 2.5øx5.5øx11mm / C+, tuning fork type | | R7B: Power DIN 4P with lock type P1M: 2.5øx5.5øx11mm/C+, tuning fork type (20~48V only) |

■ Desktop (IEC 320-C14 / Class I) — 40W

| Order No. | Output | Tol. | R&N | Effi. |
|-------------|---------------|-------|-------|-------|
| GS40A05-P1J | 5V, 0~5.00A | ±5% | 100mV | 80.5% |
| GS40A07-P1J | 7.5V, 0~5.34A | ±5% | 100mV | 85.5% |
| GS40A09-P1J | 9V, 0~4.45A | ±5% | 100mV | 85.0% |
| GS40A12-P1J | 12V, 0~3.34A | ±3% | 100mV | 89.0% |
| GS40A15-P1J | 15V, 0~2.67A | ±3% | 100mV | 89.5% |
| GS40A18-P1J | 18V, 0~2.22A | ±3% | 150mV | 90.0% |
| GS40A24-P1J | 24V, 0~1.67A | ±2.5% | 180mV | 91.0% |
| GS40A48-P1J | 48V, 0~0.84A | ±2.5% | 240mV | 92.0% |

■ Desktop (IEC 320-C14 / Class I) — 60W

| Order No. | Output | Tol. | R&N | Effi. |
|-------------|---------------|-------|-------|-------|
| GS60A05-P1J | 5V, 0~6.00A | ±5% | 100mV | 81.0% |
| GS60A07-P1J | 7.5V, 0~6.00A | ±5% | 100mV | 85.5% |
| GS60A09-P1J | 9V, 0~6.00A | ±5% | 100mV | 87.5% |
| GS60A12-P1J | 12V, 0~5.00A | ±3% | 100mV | 88.0% |
| GS60A15-P1J | 15V, 0~4.00A | ±3% | 100mV | 88.5% |
| GS60A18-P1J | 18V, 0~3.33A | ±3% | 150mV | 88.5% |
| GS60A24-P1J | 24V, 0~2.50A | ±3% | 180mV | 90.0% |
| GS60A48-P1J | 48V, 0~1.25A | ±2.5% | 240mV | 92.0% |

■ Desktop (IEC 320-C14 / Class I) — 90W

| Order No. | Output | Tol. | R&N | Effi. |
|-------------|--------------|------|-------|-------|
| GS90A12-P1M | 12V, 0~6.67A | ±5% | 80mV | 88.0% |
| GS90A15-P1M | 15V, 0~6.00A | ±5% | 100mV | 89.0% |
| GS90A19-P1M | 19V, 0~4.74A | ±4% | 150mV | 89.0% |
| GS90A24-P1M | 24V, 0~3.75A | ±3% | 180mV | 89.5% |
| GS90A48-P1M | 48V, 0~1.87A | ±2% | 240mV | 91.0% |

■ Desktop (IEC 320-C14 / Class I) — 120W

| Order No. | Output | Tol. | R&N | Effi. |
|--------------|-------------|------|-------|-------|
| GS120A12-R7B | 12V, 0~8.5A | ±5% | 80mV | 87.5% |
| GS120A15-R7B | 15V, 0~7.0A | ±5% | 120mV | 89.0% |
| GS120A20-□ | 20V, 0~6.0A | ±5% | 150mV | 89.0% |
| GS120A24-□ | 24V, 0~5.0A | ±3% | 180mV | 90.0% |
| GS120A48-□ | 48V, 0~2.5A | ±2% | 240mV | 91.0% |
| □= P1M / R7B | | | | |

Industrial Adaptor 160~280W Single Output



GS160

175x 72x 35 mm

GS220

210x 85x 46 mm

GS280

220x 95x 46 mm

■ Features

- Universal AC input / Full range
- No load power consumption < 0.5W
- ErP step 2 / EISA 2007 / NRCAN / MEPS (Level V)
- Built-in active PFC function
- 3 pole AC inlet IEC320-C14
- Class I power (with earth pin)
- **Fanless design**
- Protections: Short circuit / Overload / Over voltage / Over temperature
- Fully enclosed plastic case
- LED indicator for power on
- 2 years warranty

■ General Specification



| Order No. | GS160 | GS220 | GS280 |
|---|---|---|--|
| AC input voltage range | 85~264VAC ; 120~370VDC | 90~264VAC ; 127~370VDC | |
| AC inrush current (max.) | Cold start, 120A at 230VAC | | |
| Overload protection | Range | 105%~135% rated output power | |
| | Type | Hiccup mode, auto-recovery | |
| Over voltage protection | Range | 105%~135% rated output power | |
| | Type | Shut down o/p voltage, re-power on to recover | |
| Hold up time | 20ms at full load | | 16ms at full load |
| Withstand voltage | I/P-O/P: 3kVAC, 1 minute | | |
| Working temperature | -30~+70°C | -30~+60°C (refer to output derating curve) | |
| Safety standards | UL60950-1, TUV EN60950-1, BSMI CNS14336, CCC GB4943, PSE J60950-1(except for 48V) approved | | |
| EMC standards | EN55022 class B, EN61000-3-2,3, EN61000-4-2,3,4,5,6,8,11, FCC part 15 class B, CNS13438, GB9254 | | |
| Length of output cable | 120cm of UL2464, 18AWGx4C | 100cm of UL2464, 16AWGx4C | |
| Standard DC plug (refer to page 62 for DC plug list) | R7B: Power DIN 4P with lock type | | 4P/6.35mm pitch, AMP 1-480702-0 (power supply side); AMP 1-480703-0(customer side) |

■ Desktop (IEC320-C14/Class I) — 160W

| Order No. | Output | Tol. | R&N | Effi. |
|--------------|--------------|------|-------|-------|
| GS160A12-R7B | 12V, 0~11.5A | ±5% | 80mV | 89.0% |
| GS160A15-R7B | 15V, 0~9.6A | ±5% | 100mV | 90.0% |
| GS160A20-R7B | 20V, 0~8.0A | ±4% | 150mV | 92.0% |
| GS160A24-R7B | 24V, 0~6.67A | ±3% | 180mV | 92.5% |
| GS160A48-R7B | 48V, 0~3.34A | ±3% | 240mV | 94.0% |

■ Desktop (IEC320-C14/Class I) — 280W

| Order No. | Output | Tol. | R&N | Effi. |
|--------------|---------------|------|-------|-------|
| GS280A12-C4P | 12V, 0~18.5A | ±5% | 120mV | 89.0% |
| GS280A15-C4P | 15V, 0~16A | ±5% | 120mV | 89.5% |
| GS280A20-C4P | 20V, 0~13A | ±4% | 150mV | 92.0% |
| GS280A24-C4P | 24V, 0~11.67A | ±3% | 280mV | 93.0% |
| GS280A48-C4P | 48V, 0~5.84A | ±2% | 280mV | 94.0% |

■ Desktop (IEC320-C14/Class I) — 220W

| Order No. | Output | Tol. | R&N | Effi. |
|--------------|--------------|------|-------|-------|
| GS220A12-R7B | 12V, 0~15.0A | ±5% | 80mV | 90.0% |
| GS220A15-R7B | 15V, 0~13.4A | ±5% | 100mV | 90.0% |
| GS220A20-R7B | 20V, 0~11.0A | ±4% | 150mV | 92.0% |
| GS220A24-R7B | 24V, 0~9.20A | ±3% | 180mV | 93.5% |
| GS220A48-R7B | 48V, 0~4.60A | ±2% | 240mV | 94.5% |



Who can provide you better services and be a trustworthy partner in the power industry?

— "MEAN WELL" tries to be —



Best products also need best service.

We have authorized distributors all over the world. They have sufficient stock for your prompt delivery. Also they can offer you technical support & RMA services. Please contact your local distributors for more product information. You can also contact us at info@meanwell.com for information of your local distributors.

25W AC-DC Triple Output

- Universal AC input / Full range
- Protections: Short circuit / Overload / Over voltage / Over temp.
- Fully enclosed plastic case
- Fixed switching frequency and regulation
- Topology: Top switch circuit
- LED indicator for power on
- 1 year warranty



AC input voltage range 90~264VAC / 0.8A
 AC inrush current(max.) Cold start, 60A at 230VAC
 Overload protection Hiccup mode, auto-recovery
 Over voltage protection 110%~140% of +5V output
 Setup, rise, hold up time ... 200ms, 50ms, 16ms at full load
 Withstand voltage I/P-O/P:3kVAC, I/P-FG:1.5kVAC , 1 minute
 Working temperature 0~+40°C (refer to output derating curve)
 Safety standards UL1950, CSA 22.2, TUV EN60950-1 approved
 EMC standards EN55022 class B, EN61000-3-2,3, EN61000-4-2,3,4,5,6,11
 Length of output cable 150cm of UL2464
 Standard DC plug R1B: DIN 5P

❖ 25W — Triple output (IEC 320-C14 / Class I)

| Order No. | Output | Tol. | R&N | Effi. | Max. |
|-------------|----------------|------|-------|-------|------|
| P25A13A-R1B | 5V, 0.5~2.5A | ±5% | 50mV | 70% | 25W |
| | 12V, 0.1~0.8A | ±5% | 100mV | | |
| | -5V, 0.1~0.3A | ±3% | 100mV | | |
| P25A13D-R1B | 5V, 0.5~2.5A | ±5% | 50mV | 72% | 25W |
| | 12V, 0.1~0.8A | ±5% | 100mV | | |
| | -12V, 0.1~0.3A | ±3% | 100mV | | |
| P25A14E-R1B | 5V, 0.5~2.5A | ±5% | 50mV | 74% | 25W |
| | 15V, 0.1~0.5A | ±5% | 100mV | | |
| | -15V, 0.1~0.3A | ±3% | 100mV | | |

❖ 25W — Triple output (IEC 320-C8 / Class II)

| Order No. | Output | Tol. | R&N | Effi. | Max. |
|-------------|----------------|------|-------|-------|------|
| P25B13A-R1B | 5V, 0.5~2.5A | ±5% | 50mV | 70% | 25W |
| | 12V, 0.1~0.8A | ±5% | 100mV | | |
| | -5V, 0.1~0.3A | ±3% | 100mV | | |
| P25B13D-R1B | 5V, 0.5~2.5A | ±5% | 50mV | 72% | 25W |
| | 12V, 0.1~0.8A | ±5% | 100mV | | |
| | -12V, 0.1~0.3A | ±3% | 100mV | | |
| P25B14E-R1B | 5V, 0.5~2.5A | ±5% | 50mV | 74% | 25W |
| | 15V, 0.1~0.5A | ±5% | 100mV | | |
| | -15V, 0.1~0.3A | ±3% | 100mV | | |

50W AC-DC Triple Output



- 3 pole AC inlet IEC320-C14
- Class I power (with earth pin)
- Protections: Short circuit / Overload / Over voltage
- Fully enclosed plastic case
- LED indicator for power on
- 1 year warranty

AC input voltage range 90~264VAC / 1.6A
 AC inrush current(max.) Cold start, 40A at 230VAC
 Overload protection Hiccup mode, auto-recovery
 Over voltage protection 110%~140% for +5V output
 Hold up time 12ms at full load
 Withstand voltage I/P-O/P:3kVAC, I/P-FG:1.5kVAC, 1 minute
 Working temperature 0~+40°C (refer to output derating curve)
 Safety standards UL1950, TUV EN60950-1 approved
 EMC standards EN55022 class B, EN61000-3-2,3, EN61000-4-2,3,4,5,6,11
 Length of output cable 120cm of UL2464
 Standard DC plug R1B: DIN 5P

| Order No. | Output | Tol. | R&N | Effi. | Max. |
|-------------|----------------|------|-------|-------|-------|
| P50A13A-R1B | 5V, 0.5~4.0A | ±6% | 50mV | 70% | 46.5W |
| | 12V, 0.5~2.0A | ±10% | 100mV | | |
| | -5V, 0.1~0.5A | ±12% | 100mV | | |
| P50A13D-R1B | 5V, 0.5~4.0A | ±6% | 50mV | 72% | 50.0W |
| | 12V, 0.5~2.0A | ±10% | 100mV | | |
| | -12V, 0.1~0.5A | ±12% | 100mV | | |
| P50A14E-R1B | 5V, 0.5~4.0A | ±6% | 50mV | 74% | 50.0W |
| | 15V, 0.5~1.5A | ±10% | 100mV | | |
| | -15V, 0.1~0.5A | ±12% | 100mV | | |

Optional DC Plug List

| Tuning Fork Style | Type | A | B | C |
|---------------------|-------------|----------------|--------|-------|
| | | OD | ID | L |
| | P1I | 5.5 | 2.1 | 9.5 |
| | P1J | 5.5 | 2.1 | 11.0 |
| | P1L | 5.5 | 2.5 | 9.5 |
| | P1M | 5.5 | 2.5 | 11.0 |
| Barrel Style | Type | A | B | C |
| | | OD | ID | L |
| | P2I | 5.5 | 2.1 | 9.5 |
| | P2J | 5.5 | 2.1 | 11.0 |
| | P2L | 5.5 | 2.5 | 9.5 |
| | P2M | 5.5 | 2.5 | 11.0 |
| Lock Style | Type | A | B | C |
| | | | | |
| | P2S (S761K) | 5.53 | 2.03 | 12.06 |
| DIN 5 Pin | Type | Pin Assignment | | |
| | | Single | Triple | |
| | R1B | 1 | COM | COM |
| | | 2 | COM | COM |
| | | 3 | Vout | +5V |
| | | 4 | COM | -Vout |
| | | 5 | Vout | +Vout |
| DIN 4 Pin with lock | Type | Pin Assignment | | |
| | | PIN No. | Output | |
| | R7B | 1 | +Vout | |
| | | 2 | GND | |
| | | 3 | GND | |
| | | 4 | +Vout | |

► Minimum order quantity is varied for different models.



48hrs delivery—

We keep enough stock for 95% of standard models at our 2400m² warehouse. We can arrange prompt delivery within 48hrs.



Features

- Universal AC input / Full range
- Medical safety approved (2xMOPP)
- Class I (with earth pin) for MES30A/30C/50A
Class II (without earth pin) for MES30B
- Optional lock type DC plug
- Protections: Short circuit / Over voltage / Overload / Over temperature
- Low leakage current $\leq 230\mu\text{A}$ ($\leq 300\mu\text{A}$ for MES30)
- Fully enclosed plastic case
- Topology: Top switch circuit
- LED indicator for power on
- 2 years warranty

General Specification (Please refer to www.meanwell.com for detail spec.)



| Order No. | MES30A | MES30B | MES30C | MES50A |
|---|--|--------|--------|--------------------------------|
| AC input voltage range | 90~264VAC / 0.8A | | | 90~264VAC / 1.5A |
| AC inrush current (max.) | Cold start, 35A at 230VAC | | | Cold start, 90A at 230VAC |
| Overload protection | Hiccup mode, auto-recovery | | | |
| Over voltage protection | 110%~140% rated output voltage | | | 110%~150% rated output voltage |
| Setup, rise, hold up time | 300ms, 50ms, 16ms at full load | | | |
| Withstand voltage | I/P-O/P:5656VDC, I/P-FG:2828VDC, 1 minute for MES30A/30C/50A I/P-O/P:5656VDC, 1 minute for MES30B | | | |
| Working temperature | 0~+65°C (refer to output derating curve) | | | |
| Safety standards | ANSI/AAMI ES60601-1, TUV EN60601-1, IEC60601-1 approved | | | |
| EMC standards | EN55011 class B, EN61000-3-2,3, EN61000-4-2,3,4,5,6,8,11, EN60601-1-2 medical level | | | |
| Length of output cable | 120cm for 3.3~7.5V ; 180cm for 9~48V | | | |
| Standard DC plug (refer to page 62 for DC plug list) | P1J: 2.1 \times 5.5 \times 11mm / C+, tuning fork type R1B: power DIN 5P for MES50A 3.3~7.5V only | | | |

Desktop (IEC 320-C14 / Class I) — 30W

| Order No. | Output | Tol. | R&N | Effi. |
|---------------|---------------|-----------|-------|-------|
| MES30A-0P1J | 3.3V, 0~5.00A | $\pm 8\%$ | 30mV | 56% |
| MES30A-1P1J | 5V, 0~5.00A | +8%, -5% | 30mV | 70% |
| MES30A-1-1P1J | 7.5V, 0~3.33A | $\pm 4\%$ | 40mV | 72% |
| MES30A-2P1J | 9V, 0~3.33A | $\pm 4\%$ | 50mV | 74% |
| MES30A-3P1J | 12V, 0~2.50A | $\pm 3\%$ | 50mV | 76% |
| MES30A-4P1J | 15V, 0~2.00A | $\pm 2\%$ | 60mV | 78% |
| MES30A-5P1J | 18V, 0~1.66A | $\pm 2\%$ | 70mV | 78% |
| MES30A-6P1J | 24V, 0~1.25A | $\pm 2\%$ | 80mV | 80% |
| MES30A-7P1J | 28V, 0~1.07A | $\pm 2\%$ | 100mV | 80% |
| MES30A-8P1J | 48V, 0~0.62A | $\pm 2\%$ | 100mV | 82% |

Desktop (IEC 320-C6 / Class I) — 30W

| Order No. | Output | Tol. | R&N | Effi. |
|---------------|---------------|-----------|-------|-------|
| MES30C-0P1J | 3.3V, 0~5.00A | $\pm 8\%$ | 30mV | 56% |
| MES30C-1P1J | 5V, 0~5.00A | +8%, -5% | 30mV | 70% |
| MES30C-1-1P1J | 7.5V, 0~3.33A | $\pm 4\%$ | 40mV | 72% |
| MES30C-2P1J | 9V, 0~3.33A | $\pm 4\%$ | 50mV | 74% |
| MES30C-3P1J | 12V, 0~2.50A | $\pm 3\%$ | 50mV | 76% |
| MES30C-4P1J | 15V, 0~2.00A | $\pm 2\%$ | 60mV | 78% |
| MES30C-5P1J | 18V, 0~1.66A | $\pm 2\%$ | 70mV | 78% |
| MES30C-6P1J | 24V, 0~1.25A | $\pm 2\%$ | 80mV | 80% |
| MES30C-8P1J | 48V, 0~0.62A | $\pm 2\%$ | 100mV | 82% |

Desktop (IEC 320-C8 / Class II) — 30W

| Order No. | Output | Tol. | R&N | Effi. |
|---------------|---------------|-----------|-------|-------|
| MES30B-0P1J | 3.3V, 0~5.00A | $\pm 8\%$ | 30mV | 56% |
| MES30B-1P1J | 5V, 0~5.00A | +8%, -5% | 30mV | 70% |
| MES30B-1-1P1J | 7.5V, 0~3.33A | $\pm 4\%$ | 40mV | 72% |
| MES30B-2P1J | 9V, 0~3.33A | $\pm 4\%$ | 50mV | 74% |
| MES30B-3P1J | 12V, 0~2.50A | $\pm 3\%$ | 50mV | 76% |
| MES30B-4P1J | 15V, 0~2.00A | $\pm 2\%$ | 60mV | 78% |
| MES30B-5P1J | 18V, 0~1.66A | $\pm 2\%$ | 70mV | 78% |
| MES30B-6P1J | 24V, 0~1.25A | $\pm 2\%$ | 80mV | 80% |
| MES30B-8P1J | 48V, 0~0.62A | $\pm 2\%$ | 100mV | 82% |

Desktop (IEC 320-C14 / Class I) — 50W

| Order No. | Output | Tol. | R&N | Effi. |
|---------------|---------------|------------|-------|-------|
| MES50A-0R1B | 3.3V, 0~7.50A | $\pm 10\%$ | 50mV | 60% |
| MES50A-1R1B | 5V, 0~7.50A | $\pm 6\%$ | 50mV | 67% |
| MES50A-1-1R1B | 7.5V, 0~5.33A | $\pm 5\%$ | 75mV | 70% |
| MES50A-2P1J | 9V, 0~5.00A | $\pm 5\%$ | 90mV | 72% |
| MES50A-3P1J | 12V, 0~4.16A | $\pm 3\%$ | 100mV | 74% |
| MES50A-4P1J | 15V, 0~3.33A | $\pm 3\%$ | 100mV | 75% |
| MES50A-5P1J | 18V, 0~2.77A | $\pm 3\%$ | 150mV | 78% |
| MES50A-6P1J | 24V, 0~2.08A | $\pm 2\%$ | 150mV | 78% |
| MES50A-7P1J | 28V, 0~1.78A | $\pm 2\%$ | 150mV | 80% |
| MES50A-8P1J | 48V, 0~1.04A | $\pm 2\%$ | 200mV | 80% |

Medical Adaptor

6~36W Single Output



Features

- Universal AC input / Full range
- Medical safety approved(2xMOPP)
- Suitable for BF application with appropriate system consideration
- **No load power consumption <0.1W (<0.3W for GSM06)**
- ErP step 2 (Level V)
- EISA 2007:
Level V for GSM06 and GSM18/25/36 5~9V
Level VI for GSM18/25/36 12~48V

- 2 pole USA / EURO plug or IEC320-C8
- Class II power (without earth pin)
- Optional lock type DC plug
- Protections: Short circuit / Overload / Over voltage
- Low leakage current <50µA
- LED indicator for power on(except for GSM06)
- Certificates: B-Type: UL / CUL / TUV / CB / FCC / CE
U-Type: UL / CUL / CB / FCC
E-Type: TUV / CB / CE
- 3 years warranty

General Specification (Please refer to www.meanwell.com for detail spec.)



| Order No. | GSM06 | GSM18 | GSM25 | GSM36 |
|---------------------------|--|--|------------------------------|------------------|
| AC input voltage range | 85~264VAC / 0.18A | 80~264VAC / 0.5A | 80~264VAC / 0.7A | 80~264VAC / 0.9A |
| AC inrush current (max.) | Cold start, 30A at 230VAC | Cold start, 55A at 230VAC | | |
| Overload protection | Range | >105% rated output power | 105%~170% rated output power | |
| | Type | Hiccup mode, auto-recovery | | |
| Over voltage protection | 110%~140% | 105%~135% rated output voltage, shut down o/p voltage, re-power on to recover | | |
| Setup, rise, hold up time | 1000ms, 50ms, 12ms | 500ms, 30ms, 16ms at 230VAC input | | |
| Withstand voltage | I/P-O/P: 5656VDC | I/P-O/P: 4kVAC | | |
| Working temperature | 0~+50°C | -25~+60°C (refer to output derating curve) | | |
| Safety standards | B-Type(except for GSM06): ANSI/AAMI ES60601-1/ES60601-1-11 , TUV EN60601-1 / EN60601-1-11 approved U-Type: ANSI/AAMI ES60601-1, ES60601-1-11 approved E-Type: TUV EN60601-1 / EN60601-1-11 approved | | | |
| EMC standards | B-Type(except for GSM06): EN55011 class B, EN61000-3-2,3, EN61000-4-2,3,4,5,6,8,11, EN61204-3, EN60601-1-2 medical level, FCC Part 15 class B U-Type: FCC Part 15 class B E-Type: EN55011 class B, EN61000-3-2,3, EN61000-4-2,3,4,5,6,8,11, EN61204-3, EN60601-1-2 medical level | | | |
| Length of output cable | 120cm of UL2468, 22AWG for 5~9V; 180cm of UL2468, 24AWG for 12~24V | 120cm of UL1185, 16AWG for GSM18/25/36 5~9V; 180cm of UL1185, 16AWG for GSM25 12V and GSM36 12~48V; 180cm of UL1185, 18AWG for GSM18 12~48V and GSM25 15~48V | | |
| Standard DC plug | P1J: 2.1ø x 5.5ø x 11mm / C+, tuning fork type (refer to page 62 for DC plug list) | | | |
| Dimension (LxWxH)(mm) | 32x 66x 42.5 | 79x 54x 33 | | |

Wall-mounted — 6W

| Order No. | Output | Tol. | R&N | Effi. | Order No. | Output | Tol. | R&N | Effi. |
|--------------|---------------|------|-------|-------|--|--------------|------|-------|-------|
| GSM06□05-P1J | 5V, 0~1.20A | ±5% | 50mV | 68% | GSM06□15-P1J | 15V, 0~0.40A | ±5% | 120mV | 79% |
| GSM06□06-P1J | 6V, 0~1.00A | ±5% | 50mV | 74% | GSM06□18-P1J | 18V, 0~0.33A | ±5% | 150mV | 80% |
| GSM06□07-P1J | 7.5V, 0~0.80A | ±5% | 80mV | 74% | GSM06□24-P1J | 24V, 0~0.25A | ±4% | 180mV | 82% |
| GSM06□09-P1J | 9V, 0~0.66A | ±5% | 80mV | 76% | □ = U / E ; U: American 2P, E: European 2P | | | | |
| GSM06□12-P1J | 12V, 0~0.50A | ±5% | 100mV | 77% | | | | | |

Desktop / Wall-mounted — 18W

| Order No. | Output | Tol. | R&N | Effi. | Order No. | Output | Tol. | R&N | Effi. |
|--------------|---------------|------|-------|-------|---|---------------|------|-------|-------|
| GSM18□05-P1J | 5V, 0~3.00A | ±5% | 60mV | 80% | GSM18□18-P1J | 18V, 0~1.00A | ±3% | 150mV | 86% |
| GSM18□07-P1J | 7.5V, 0~2.00A | ±5% | 80mV | 83% | GSM18□24-P1J | 24V, 0~0.75A | ±2% | 180mV | 87% |
| GSM18□09-P1J | 9V, 0~2.00A | ±5% | 80mV | 84% | GSM18□48-P1J | 48V, 0~0.375A | ±2% | 240mV | 88% |
| GSM18□12-P1J | 12V, 0~1.50A | ±3% | 120mV | 85% | □ = B / U / E ; B: IEC320-C8, U: American 2P, E: European 2P | | | | |
| GSM18□15-P1J | 15V, 0~1.20A | ±3% | 120mV | 85.5% | | | | | |

Desktop / Wall-mounted — 25W

| Order No. | Output | Tol. | R&N | Effi. | Order No. | Output | Tol. | R&N | Effi. |
|--------------|---------------|------|-------|-------|---|--------------|------|-------|-------|
| GSM25□05-P1J | 5V, 0~4.00A | ±6% | 60mV | 80% | GSM25□18-P1J | 18V, 0~1.38A | ±3% | 150mV | 86% |
| GSM25□07-P1J | 7.5V, 0~2.93A | ±5% | 80mV | 83% | GSM25□24-P1J | 24V, 0~1.04A | ±2% | 180mV | 87% |
| GSM25□09-P1J | 9V, 0~2.77A | ±5% | 80mV | 84% | GSM25□48-P1J | 48V, 0~0.52A | ±2% | 240mV | 88% |
| GSM25□12-P1J | 12V, 0~2.08A | ±3% | 120mV | 86% | □ = B / U / E ; B: IEC320-C8, U: American 2P, E: European 2P | | | | |
| GSM25□15-P1J | 15V, 0~1.66A | ±3% | 120mV | 86% | | | | | |

Desktop / Wall-mounted — 36W

| Order No. | Output | Tol. | R&N | Effi. | Order No. | Output | Tol. | R&N | Effi. |
|--------------|---------------|------|-------|-------|---|--------------|------|-------|-------|
| GSM36□05-P1J | 5V, 0~4.50A | ±6% | 80mV | 80% | GSM36□18-P1J | 18V, 0~2.00A | ±3% | 150mV | 87% |
| GSM36□07-P1J | 7.5V, 0~4.32A | ±5% | 80mV | 83% | GSM36□24-P1J | 24V, 0~1.50A | ±2% | 180mV | 87% |
| GSM36□09-P1J | 9V, 0~4.00A | ±5% | 80mV | 84% | GSM36□48-P1J | 48V, 0~0.75A | ±2% | 240mV | 88% |
| GSM36□12-P1J | 12V, 0~3.00A | ±3% | 120mV | 86% | □ = B / U / E ; B: IEC320-C8, U: American 2P, E: European 2P | | | | |
| GSM36□15-P1J | 15V, 0~2.40A | ±3% | 120mV | 87% | | | | | |

Medical Adaptor

40~120W Single Output



Features

- Universal AC input / Full range
- Medical safety approved (2xMOPP)
- Suitable for BF application with appropriate system consideration (except for GSM40A/60A)
- **No load power consumption < 0.1W (<0.15W for GSM90B/120B)**
- High efficiency up to 91.5%
- Low leakage current < 50µA (<100µA for GSM40A/60A/90B/120B)
- Optional lock type DC plug (GSM40A/B, 60A/B, 90B)

- ErP step 2 (Level V)
- EISA 2007:
Level V for GSM40A/40B/60A/60B 5~9V;
Level VI for GSM40A/40B/60A/60B 12~48V and GSM90B/120B
- A-Type: Class I (with earth Pin)
B-Type: Class II (without earth Pin)
- Protections: Short circuit / Overload / Over voltage / Over temp.
- LED indicator for power on
- 3 years warranty

General Specification (Please refer to www.meanwell.com for detail spec.)



| Order No. | GSM40A/B | GSM60A/B | GSM90B | GSM120B |
|---------------------------|---|---|---|--|
| AC input voltage range | 80~264VAC; 113~370VDC | | | |
| AC inrush current (max.) | Cold start, 65A at 230VAC | | | Cold start, 70A at 230VAC |
| Overload protection | Range | 105%~160% rated output power | 110%~150% | 105%~160% |
| | Type | Hiccup mode, auto-recovery | | |
| Over voltage protection | Range | 105%~135% rated output voltage | | |
| | Type | Shut down o/p voltage, re-power on to recover | | |
| Setup, rise, hold up time | 1000ms, 30ms, 50ms | | 1000ms, 50ms, 20ms | 1000ms, 30ms, 20ms |
| Withstand voltage | A-Type: I/P-O/P: 4kVAC, I/P-FG: 2kVAC, O/P-FG: Short B-Type: I/P-O/P: 4kVAC | | I/P-O/P: 4kVAC | |
| | Working temperature: -30~+60°C (refer to output derating curve) | | | |
| Safety standards | ANSI/AAMI ES60601-1 / ES60601-1-11, TUV EN60601-1 / EN60601-1-11 approved | | | |
| EMC standards | EN55011 class B, EN61000-3-2,3, EN61000-4-2,3,4,5,6,8,11, EN61204-3, EN60601-1-2 medical level, FCC Part 15 class B | | | |
| Length of output cable | 100cm of UL2464, 16AWG for GSM40 5~7.5V and GSM60 5~15V 100cm of UL1185, 16AWG for GSM40 9~12V 150cm of UL1185, 16AWG for GSM40 15~48V and GSM60 18~48V | | 100cm of UL1185, 14AWG for 12~15V; 120cm of UL1185, 16AWG for 19~48V | 100cm of UL2464, 18AWGx4C for 12V; 120cm of UL2464, 18AWGx4C for 15~48V |
| | Standard DC plug (refer to page 62 for DC plug list) | | P1M: 2.5øx5.5øx11mm/c+, tuning fork type | R7B: power DIN 4P with lock type |
| | Dimension (LxWxH)(mm) | | 125x 50x 31.5 | 145x 60x 32 |

Desktop (IEC 320-C14 / Class I) — 40W

| Order No. | Output | Tol. | R&N | Effi. |
|--------------|-----------------|-------|-------|-------|
| GSM40A05-P1J | 5V, 0.1~5.00A | ±5% | 100mV | 81.0% |
| GSM40A07-P1J | 7.5V, 0.1~5.34A | ±5% | 100mV | 85.5% |
| GSM40A09-P1J | 9V, 0.1~4.45A | ±5% | 100mV | 86.0% |
| GSM40A12-P1J | 12V, 0.1~3.34A | ±3% | 100mV | 88.0% |
| GSM40A15-P1J | 15V, 0.1~2.67A | ±3% | 100mV | 88.5% |
| GSM40A18-P1J | 18V, 0.1~2.22A | ±3% | 150mV | 89.5% |
| GSM40A24-P1J | 24V, 0.1~1.67A | ±2.5% | 180mV | 90.0% |
| GSM40A48-P1J | 48V, 0.1~1.84A | ±2.5% | 240mV | 91.0% |

Desktop (IEC 320-C8 / Class II) — 40W

NEW

| Order No. | Output | Tol. | R&N | Effi. |
|--------------|-----------------|-------|-------|-------|
| GSM40B05-P1J | 5V, 0.1~5.00A | ±5% | 100mV | 81.0% |
| GSM40B07-P1J | 7.5V, 0.1~5.34A | ±5% | 100mV | 85.5% |
| GSM40B09-P1J | 9V, 0.1~4.45A | ±5% | 100mV | 86.0% |
| GSM40B12-P1J | 12V, 0.1~3.34A | ±3% | 100mV | 88.0% |
| GSM40B15-P1J | 15V, 0.1~2.67A | ±3% | 100mV | 88.5% |
| GSM40B18-P1J | 18V, 0.1~2.22A | ±3% | 150mV | 89.5% |
| GSM40B24-P1J | 24V, 0.1~1.67A | ±2.5% | 180mV | 90.0% |
| GSM40B48-P2J | 48V, 0.1~0.84A | ±2.5% | 240mV | 91.0% |

Desktop (IEC 320-C14 / Class I) — 60W

| Order No. | Output | Tol. | R&N | Effi. |
|--------------|-----------------|------|-------|-------|
| GSM60A05-P1J | 5V, 0.1~6.00A | ±5% | 100mV | 81.5% |
| GSM60A07-P1J | 7.5V, 0.1~6.00A | ±5% | 100mV | 86.0% |
| GSM60A09-P1J | 9V, 0.1~6.00A | ±5% | 100mV | 87.5% |
| GSM60A12-P1J | 12V, 0.1~5.00A | ±3% | 100mV | 88.0% |
| GSM60A15-P1J | 15V, 0.1~4.00A | ±3% | 100mV | 88.5% |

| Order No. | Output | Tol. | R&N | Effi. |
|--------------|----------------|-------|-------|-------|
| GSM60A18-P1J | 18V, 0.1~3.33A | ±3% | 150mV | 89.0% |
| GSM60A24-P1J | 24V, 0.1~2.50A | ±3% | 180mV | 90.0% |
| GSM60A48-P1J | 48V, 0.1~1.25A | ±2.5% | 240mV | 91.0% |

Desktop (IEC 320-C8 / Class II) — 60W

NEW

| Order No. | Output | Tol. | R&N | Effi. |
|--------------|-----------------|-------|-------|-------|
| GSM60B05-P1J | 5V, 0.1~6.00A | ±5% | 100mV | 81.0% |
| GSM60B07-P1J | 7.5V, 0.1~6.00A | ±5% | 100mV | 86.0% |
| GSM60B09-P1J | 9V, 0.1~6.00A | ±5% | 100mV | 87.5% |
| GSM60B12-P1J | 12V, 0.1~5A | ±3% | 100mV | 88.0% |
| GSM60B15-P1J | 15V, 0.1~4A | ±3% | 100mV | 88.5% |
| GSM60B18-P1J | 18V, 0.1~3.33A | ±3% | 150mV | 89.0% |
| GSM60B24-P1J | 24V, 0.1~2.5A | ±3% | 180mV | 90.0% |
| GSM60B48-P1J | 48V, 0.1~1.25A | ±2.5% | 240mV | 91.5% |

Desktop (IEC 320-C8 / Class II) — 90W

NEW

| Order No. | Output | Tol. | R&N | Effi. |
|--------------|--------------|-------|-------|-------|
| GSM90B12-P1M | 12V, 0~6.67A | ±5% | 120mV | 88.0% |
| GSM90B15-P1M | 15V, 0~6.00A | ±5% | 150mV | 89.0% |
| GSM90B19-P1M | 19V, 0~4.74A | ±4% | 180mV | 89.0% |
| GSM90B24-P1M | 24V, 0~3.75A | ±3% | 200mV | 90.0% |
| GSM90B48-P1M | 48V, 0~1.87A | ±2.5% | 240mV | 91.0% |

Desktop (IEC 320-C8 / Class II) — 120W

NEW

| Order No. | Output | Tol. | R&N | Effi. |
|---------------|--------------|-------|-------|-------|
| GSM120B12-R7B | 12V, 0~8.5A | ±5% | 120mV | 88.0% |
| GSM120B15-R7B | 15V, 0~7.00A | ±5% | 150mV | 89.0% |
| GSM120B20-R7B | 20V, 0~6.00A | ±5% | 180mV | 89.0% |
| GSM120B24-R7B | 24V, 0~5.00A | ±3% | 200mV | 90.0% |
| GSM120B48-R7B | 48V, 0~2.50A | ±2.5% | 240mV | 91.5% |







Moistureproof Adaptor

60~120W Single Output



Features

- IP67 design for main body
- Universal AC input / Full range
- **No load power consumption < 0.15W**
- ErP step 2 (Level V) for E-Type
- NRCan(Level V) / **EISA 2007 (Level VI)** for U-Type
- Built-in active PFC function (OWA-90/120)
- Class II power (without earth pin)
- High efficiency up to 91%
- Fanless design, cooling by free air convection
- -40~+70°C wide operating range
- Fully enclosed by plastic case filling with heat-conducted glue
- Protections: Short circuit / Over current / Over voltage / Over temperature
- Optional IP44 AC plug for E-Type
- **Suitable for general electronics applications at highly dusty or damp environment**
- **5 years warranty**

| | E-Type | | U-Type | |
|----------------|---|---|---|---|
| AC Input Plug |  (*IP44 optional) | |  | |
| DC Output Plug |  |  |  |  |

General Specification (Please refer to www.meanwell.com for detail spec.)

| Model No. | OWA-60 <input type="checkbox"/> | OWA-90 <input type="checkbox"/> | OWA-120 <input type="checkbox"/> |
|-----------------------------|--|--|--|
| AC input voltage range | 90~264VAC; 127~370VDC | | |
| AC inrush current (max.) | Cold start, 55A at 230VAC | | Cold start, 60A at 230VAC |
| Leakage current | <0.25mA at 240VAC | | |
| Over current protection | 95%~108% constant current limiting, auto-recovery | | |
| Over voltage protection | 110%~140% rated output voltage | | |
| Over temperature protection | Shut down output voltage, re-power on to recover | | |
| Setup, rise, holdup time | 500ms, 80ms, 16ms at full load and 230VAC | | |
| Withstand voltage | I/P-O/P: 3.75KVAC | | |
| Working temperature | -40~+70°C (refer to output derating curve) | | |
| Safety standards | E-Type: EN61558-1, EN61558-2-16 listed; EN60335-1 listed (except for OWA-90E-42~54) approved (OWA-60/120 pending) U-Type: UL8750 listed approved (OWA-60U/120U pending) | | |
| EMC standards | E-Type: EN55022 class B, EN55014-1, EN61000-3-2,-3 (OWA-60E/120E pending); U-Type: FCC Part 15 (OWA-60U/120U pending) | | |
| Length of output cable | Input | E-Type: 150cm of H05RN-F 1.0mm ² x2C; U-Type: 150cm of SVT 18AWGx2C | |
| | Output | E-Type: 30cm of H05RN-F 1.0mm ² x2C U-Type: 30cm of UL1185 16AWG x2C | E-Type: 30cm of H05RN-F 1.0mm ² x2C U-Type: 30cm of UL2464 18AWG x4C |
| Standard plug | Input | E-Type: Schuko EU plug; U-Type: NEMA 1-15P plug | |
| | Output | 2.1øx5.5øx11mm / C+, tuning fork type | |
| Dimension (LxWxH)(mm) | 130x 53x 35 | 171x 63x 37.5 | 191x 63x 37.5 |

OWA-60 Series **UL/CUL/TUV/CE/FCC pending** Under Development

| Model No. | Output | Tol. | R&N | Effi. |
|-------------------------------------|--------------|-------|-------|-------|
| OWA-60 <input type="checkbox"/> -12 | 12V, 0~5A | ±4.0% | 150mV | 89% |
| OWA-60 <input type="checkbox"/> -15 | 15V, 0~4A | ±4.0% | 150mV | 90% |
| OWA-60 <input type="checkbox"/> -20 | 20V, 0~3A | ±4.0% | 150mV | 90% |
| OWA-60 <input type="checkbox"/> -24 | 24V, 0~2.5A | ±3.0% | 150mV | 90% |
| OWA-60 <input type="checkbox"/> -30 | 30V, 0~2A | ±3.0% | 200mV | 90% |
| OWA-60 <input type="checkbox"/> -36 | 36V, 0~1.67A | ±2.0% | 200mV | 91% |
| OWA-60 <input type="checkbox"/> -42 | 42V, 0~1.43A | ±1.0% | 250mV | 91% |
| OWA-60 <input type="checkbox"/> -48 | 48V, 0~1.25A | ±1.0% | 250mV | 91% |
| OWA-60 <input type="checkbox"/> -54 | 54V, 0~1.12A | ±1.0% | 350mV | 91% |

= U / E ; U: American 2P, E: European 2P

| | | | | |
|-------------------------------------|--------------|-------|-------|-----|
| OWA-90 <input type="checkbox"/> -30 | 30V, 0~3A | ±3.0% | 200mV | 90% |
| OWA-90 <input type="checkbox"/> -36 | 36V, 0~2.5A | ±2.0% | 200mV | 91% |
| OWA-90 <input type="checkbox"/> -42 | 42V, 0~2.15A | ±1.0% | 250mV | 91% |
| OWA-90 <input type="checkbox"/> -48 | 48V, 0~1.88A | ±1.0% | 250mV | 91% |
| OWA-90 <input type="checkbox"/> -54 | 54V, 0~1.67A | ±1.0% | 350mV | 91% |

= U / E ; U: American 2P, E: European 2P

OWA-90 Series **UL** **cUL us** **FC** **CE** **NEW**

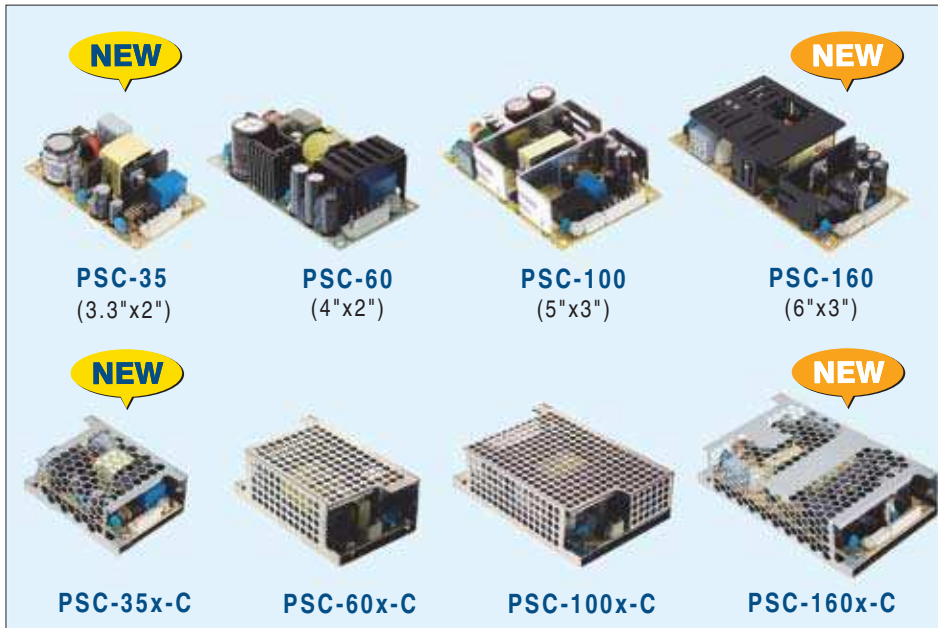
(U-Type, 42~54V) (U-Type, 12~36V) (E-Type) (U-Type) (E-Type)

| Model No. | Output | Tol. | R&N | Effi. |
|-------------------------------------|--------------|-------|-------|-------|
| OWA-90 <input type="checkbox"/> -12 | 12V, 0~7.5A | ±4.0% | 150mV | 89% |
| OWA-90 <input type="checkbox"/> -15 | 15V, 0~6A | ±4.0% | 150mV | 90% |
| OWA-90 <input type="checkbox"/> -20 | 20V, 0~4.5A | ±4.0% | 150mV | 90% |
| OWA-90 <input type="checkbox"/> -24 | 24V, 0~3.75A | ±3.0% | 150mV | 90% |

OWA-120 Series **UL/CUL/TUV/CE/FCC pending** Under Development

| Model No. | Output | Tol. | R&N | Effi. |
|--------------------------------------|-------------|-------|-------|-------|
| OWA-120 <input type="checkbox"/> -12 | 12V, 0~10A | ±4.0% | 150mV | 89% |
| OWA-120 <input type="checkbox"/> -15 | 15V, 0~8A | ±4.0% | 150mV | 89% |
| OWA-120 <input type="checkbox"/> -20 | 20V, 0~6A | ±4.0% | 150mV | 89% |
| OWA-120 <input type="checkbox"/> -24 | 24V, 0~5A | ±4.0% | 150mV | 90% |
| OWA-120 <input type="checkbox"/> -30 | 30V, 0~4A | ±3.0% | 200mV | 90% |
| OWA-120 <input type="checkbox"/> -36 | 36V, 0~3.4A | ±2.0% | 200mV | 90% |
| OWA-120 <input type="checkbox"/> -42 | 42V, 0~2.9A | ±1.0% | 200mV | 90% |
| OWA-120 <input type="checkbox"/> -48 | 48V, 0~2.5A | ±1.0% | 250mV | 91% |
| OWA-120 <input type="checkbox"/> -54 | 54V, 0~2.3A | ±1.0% | 350mV | 91% |

= U / E ; U: American 2P, E: European 2P



Features

- Single output with battery charger (UPS function)
- Universal AC input / Full range
- PCB and enclosed type with metal case available
- Compact size
- Built-in active PFC function (PSC-160)
- Protections:
 - Short circuit / Overload / Over voltage
- Battery low protection / Battery reverse polarity protection by fuse
- Alarm signal for AC OK and battery low
- Cooling by free air convection
- 100% full load, burn-in test
- 2 years warranty

General Specification (Please refer to www.meanwell.com for detail spec.)



| Model No. | PSC-35 <input type="checkbox"/> | PSC-60 <input type="checkbox"/> | PSC-100 <input type="checkbox"/> | PSC-160 <input type="checkbox"/> | |
|--------------------------|--|--|--|--|-----------------|
| AC input voltage range | 90~264VAC; 127~370VDC | | | | |
| AC inrush current (max.) | Cold start, 40A at 230VAC | 60A at 230VAC | 70A at 230VAC | | |
| DC adjustment range | CH1, 13.8V: 12~15V; 27.6V: 24~29V | | | | |
| Overload protection | 105%~150% hiccup mode, auto-recovery | | | | |
| Over voltage protection | CH1, 105%~135%, shut off, re-power on to recover | CH1, 105%~135%, hiccup mode, auto recovery | CH1, 105%~135%, shut off, re-power on to recover | | |
| Withstand voltage | I/P-O/P:3kVAC, I/P-FG: 2kVAC, 1 minute | I/P-O/P:3kVAC, I/P-FG: 1.5kVAC, 1 minute | | I/P-O/P:3kVAC, I/P-FG: 2kVAC, 1 minute | |
| Working temperature | -30~+70°C | | -20~+70°C (refer to output derating curve) | | |
| Safety standards | UL60950-1, TUV EN60950-1 approved (35W pending) | | | | |
| EMC standards | EN55022 class B, EN61000-3-2,3, EN61000-4-2,3,4,5,6,8,11 | | | | |
| Connection | 3+6P/3.96mm pitch, JST: B3P/B6P-VH | | 3+8P/3.96mm pitch, 4P/2.5mm pitch, JST: B3P/B8P-VH, B4B-XH | | |
| Dimension (LxWxH)(mm) | PCB Type | 84.6x 50.8x 24 | 101.6x 50.8x 29 | 127x 76.2x 31 | 152.4x 76.2x 32 |
| | Enclosed Type | 86.4x 59.6x 30 | 103.4x 62x 37 | 130x 85x 37 | 155.4x 85x 37 |

PSC-35 Series

NEW

| Model No. | Output | Tol. | R&N | Effi. | Max. |
|----------------------------------|--------------------------|------|-------|-------|------|
| PSC-35A <input type="checkbox"/> | 13.8V, 0~2.6A | ±1% | 120mV | 84% | 36W |
| | 13.8V, 0~0.9A (Charger) | | | | |
| PSC-35B <input type="checkbox"/> | 27.6V, 0~1.3A | ±1% | 240mV | 86% | 36W |
| | 27.6V, 0~0.45A (Charger) | | | | |

= blank, -C ; Blank: PCB Type, -C: Enclosed Type

PSC-100 Series

| Model No. | Output | Tol. | R&N | Effi. | Max. |
|-----------------------------------|--------------------------|------|-------|-------|------|
| PSC-100A <input type="checkbox"/> | 13.8V, 0~7.0A | ±1% | 100mV | 86% | 100W |
| | 13.8V, 0~2.5A (Charger) | | | | |
| PSC-100B <input type="checkbox"/> | 27.6V, 0~3.50A | ±1% | 100mV | 88% | 101W |
| | 27.6V, 0~1.25A (Charger) | | | | |

= blank, -C ; Blank: PCB Type, -C: Enclosed Type

PSC-60 Series

| Model No. | Output | Tol. | R&N | Effi. | Max. |
|----------------------------------|--------------------------|------|-------|-------|------|
| PSC-60A <input type="checkbox"/> | 13.8V, 0~4.3A | ±1% | 120mV | 84% | 59W |
| | 13.8V, 0~1.50A (Charger) | | | | |
| PSC-60B <input type="checkbox"/> | 27.6V, 0~2.15A | ±1% | 240mV | 84% | 59W |
| | 27.6V, 0~0.75A (Charger) | | | | |

= blank, -C ; Blank: PCB Type, -C: Enclosed Type

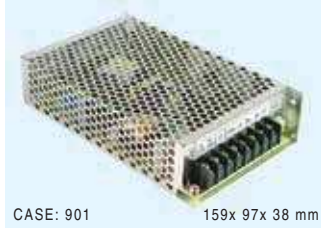
PSC-160 Series

NEW

| Model No. | Output | Tol. | R&N | Effi. | Max. |
|-----------------------------------|-----------------------|------|-------|-------|------|
| PSC-160A <input type="checkbox"/> | 13.8V, 0~11.6A | ±1% | 150mV | 88% | 160W |
| | 13.8V, 0~4A (Charger) | | | | |
| PSC-160B <input type="checkbox"/> | 27.6V, 0~5.8A | ±1% | 240mV | 90% | 160W |
| | 27.6V, 0~2A (Charger) | | | | |

= blank, -C ; Blank: PCB Type, -C: Enclosed Type

55W 1~2 Output with Battery Charger



CASE: 901 159x 97x 38 mm

- Universal AC input / Full range
- Protections: Short circuit / Overload / Over voltage
- Battery low protection (except for ADS series)
- DC alarm signal (optional)
- Cooling by free air convection
- Fixed switching frequency at 45kHz
- Approvals: UL / CUL / TUV / CB / CE
- 100% full load burn-in test
- 2 years warranty

AC input voltage range 88~264VAC; 124~370VDC
 AC inrush current Cold start, 20A at 115VAC, 40A at 230VAC
 DC adjustment range 12V, 24V: $\pm 10\%$
 13.8V: 12~14.5V; 27.6V: 24~29V
 Overload protection 105%~150% hiccup mode, auto-recovery
 Over voltage protection CH1: 105%~135% rated output voltage
 Setup, rise, hold up time 800ms, 50ms, 80ms at full load and 230VAC
 Withstand voltage I/P-O/P:3kVAC, I/P-FG:1.5kVAC, 1minute
 Working temperature -10~+60°C (refer to output derating curve)
 Safety standards UL60950-1, TUV EN60950-1 approved
 EMC standards EN55022 class B, EN61000-3-2,3,
 EN61000-4-2,3,4,5,6,8,11
 Connection 8P/ 8.25mm pitch terminal block
 Packing 0.57kg ; 24pcs / 13.7kg / 0.75CUFT

Single Output with 5V, 4A DC-DC Converter

| Model No. | Output | Tol. | R&N | Effi. | Max. |
|-----------|-------------|-----------|-------|-------|------|
| ADS-5512 | 12V, 0~4.0A | $\pm 1\%$ | 100mV | 76% | 51W |
| | 5V, 0~4.0A | $\pm 3\%$ | 100mV | | |
| ADS-5524 | 24V, 0~2.5A | $\pm 1\%$ | 100mV | 79% | 58W |
| | 5V, 0~4.0A | $\pm 3\%$ | 100mV | | |

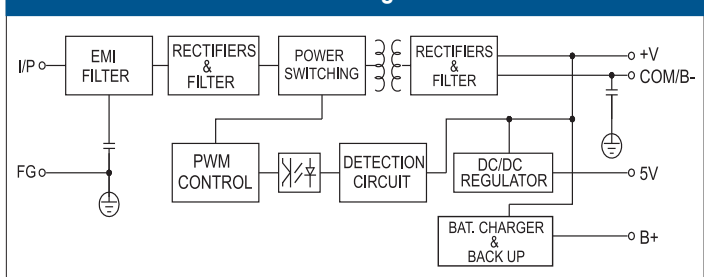
Single Output with Battery Charger (UPS Function)

| Model No. | Output | Tol. | R&N | Effi. | Max. |
|-----------|----------------|-----------|-------|-------|------|
| AD-55A | 13.8V, 0~4.0A | $\pm 1\%$ | 100mV | 71% | 51W |
| | 13.4V, 0~0.23A | (Charger) | | | |
| AD-55B | 27.6V, 0~2.0A | $\pm 1\%$ | 100mV | 74% | 54W |
| | 26.5V, 0~0.16A | (Charger) | | | |

Dual Output with Battery Charger (UPS Function)

| Model No. | Output | Tol. | R&N | Effi. | Max. |
|-----------|----------------|-----------|-------|-------|------|
| ADD-55A | 13.8V, 0~3.50A | $\pm 1\%$ | 100mV | 71% | 53W |
| | 5V, 0~4.00A | $\pm 3\%$ | 100mV | | |
| | 13.4V, 0~0.23A | (Charger) | | | |
| ADD-55B | 27.6V, 0~2.00A | $\pm 1\%$ | 150mV | 74% | 55W |
| | 5V, 0~4.00A | $\pm 3\%$ | 150mV | | |
| | 26.5V, 0~0.16A | (Charger) | | | |

Block Diagram



155W 1~2 Output with Battery Charger and PFC Function



CASE: 906B 199x 110x 50 mm

- Universal AC input / Full range
- PF>0.92@230VAC and full load
- Protections: Short circuit / Overload / Over voltage
- Battery low protection (except for ADS series)
- Cooling by free air convection
- Fixed switching frequency at 134kHz
- Approvals: UL / CUL / TUV / CB / CE
- 100% full load burn-in test
- 2 years warranty

AC input voltage range 88~264VAC; 124~370VDC
 AC inrush current Cold start, 20A at 115VAC, 40A at 230VAC
 DC adjustment range 12V, 24V, 48V: $\pm 10\%$
 13.8V: 12~14.5V; 27.6V: 24~29V; 54V: 48~58V
 Overload protection CH1,2: 105%~135%, charger: 0.51~0.9A;
 constant current limiting, auto-recovery
 Over voltage protection CH1: 115%~135% rated output voltage
 Setup, rise, hold up time ... 1000ms, 90ms, 24ms at full load and 230VAC
 Withstand voltage I/P-O/P:3kVAC, I/P-FG:1.5kVAC, 1minute
 Working temperature -10~+60°C (refer to output derating curve)
 Safety standards UL60950-1, TUV EN60950-1 approved
 EMC standards EN55022 class B, EN61000-3-2,3,
 EN61000-4-2,3,4,5,6,8,11
 Connection 8P/ 9.5mm pitch terminal block
 Packing 1.0kg ; 16pcs / 16.0kg / 0.95CUFT

Single Output with 5V, 3A DC-DC Converter

| Model No. | Output | Tol. | R&N | Effi. | Max. |
|-----------|--------------|-----------|-------|-------|------|
| ADS-15512 | 12V, 0~12.5A | $\pm 2\%$ | 150mV | 77% | 153W |
| | 5V, 0~3.00A | $\pm 3\%$ | 100mV | | |
| ADS-15524 | 24V, 0~6.50A | $\pm 1\%$ | 150mV | 82% | 154W |
| | 5V, 0~3.00A | $\pm 3\%$ | 100mV | | |
| ADS-15548 | 48V, 0~3.20A | $\pm 1\%$ | 240mV | 82% | 154W |
| | 5V, 0~3.00A | $\pm 5\%$ | 100mV | | |

Single Output with Battery Charger (UPS Function)

| Model No. | Output | Tol. | R&N | Effi. | Max. |
|-----------|----------------|-----------|-------|-------|------|
| AD-155A | 13.8V, 0~11.5A | $\pm 2\%$ | 150mV | 80% | 152W |
| | 13.3V, 0~0.50A | (Charger) | | | |
| AD-155B | 27.6V, 0~5.50A | $\pm 1\%$ | 150mV | 84% | 152W |
| | 27.1V, 0~0.50A | (Charger) | | | |
| AD-155C | 54.0V, 0~2.70A | $\pm 1\%$ | 240mV | 84% | 157W |
| | 53.5V, 0~0.50A | (Charger) | | | |

Dual Output with Battery Charger (UPS Function)

| Model No. | Output | Tol. | R&N | Effi. | Max. |
|-----------|----------------|-----------|-------|-------|------|
| ADD-155A | 13.8V, 0~10.5A | $\pm 1\%$ | 150mV | 78% | 153W |
| | 5V, 0~3.00A | $\pm 3\%$ | 100mV | | |
| | 13.3V, 0~0.50A | (Charger) | | | |
| ADD-155B | 27.6V, 0~5.00A | $\pm 1\%$ | 200mV | 81% | 153W |
| | 5V, 0~3.00A | $\pm 3\%$ | 100mV | | |
| | 27.1V, 0~0.50A | (Charger) | | | |
| ADD-155C | 54.0V, 0~2.50A | $\pm 1\%$ | 240mV | 81% | 150W |
| | 5V, 0~3.00A | $\pm 5\%$ | 100mV | | |
| | 53.5V, 0~0.20A | (Charger) | | | |

Security Series / ATX Power



40~100W Single Output with Battery Charger (UPS function)

- Universal AC input / Full range
- Can be installed on DIN rail TS-35/7.5 or 15
- Protections: Short circuit / Overload / Over voltage / Battery low protection / Battery reverse polarity protection by fuse
- Alarm signal for AC OK and battery low
- Cooling by free air convection
- Pass LPS (DRC-40/60)
- LED indicator for power on
- 100% full load burn-in test
- 3 years warranty



UL / CUL / TUV / CB / CE pending



AC input voltage range 90~264VAC; 127~370VDC
 AC inrush current Cold start, 30A at 115VAC, 60A at 230VAC
 DC adjustment range CH1, 13.8V: 12~15V; 27.6V: 24~30V
 Overload protection 105%~150% hiccup mode, auto-recovery
 Over voltage protection 105%~135% rated output voltage
 Setup, rise, hold up time 400ms, 50ms, 50ms at full load and 230VAC (DRC-40/60); 2400ms, 50ms, 50ms at full load and 230VAC (DRC-100)
 Withstand voltage I/P-O/P: 3kVAC, I/P-FG: 2kVAC
 Working temperature -30~+70°C (refer to output derating curve)
 Safety standards UL60950-1, TUV EN60950-1 approved (DRC-100 pending)
 EMC standards EN55022 class B, EN61000-3-2,3, EN61000-4-2,3,4,5,6,8,11
 Connection I/P: 3 poles, O/P: 8 poles screw DIN terminal (DRC-40/60); I/P: 3 poles, O/P: 10 poles screw DIN terminal (DRC-100)

◆ DRC-40 Series

| Model No. | Output | Tol. | R&N | Effi. | Max. |
|-----------|-------------------------|------|-------|-------|------|
| DRC-40A | 13.8V, 0~2.9A | ±1% | 120mV | 86% | 40W |
| | 13.8V, 0~1.0A (Charger) | | | | |
| DRC-40B | 27.6V, 0~1.45A | ±1% | 200mV | 87% | 40W |
| | 27.6V, 0~0.5A (Charger) | | | | |

◆ DRC-60 Series

| Model No. | Output | Tol. | R&N | Effi. | Max. |
|-----------|--------------------------|------|-------|-------|------|
| DRC-60A | 13.8V, 0~4.3A | ±1% | 120mV | 86% | 59W |
| | 13.8V, 0~1.5A (Charger) | | | | |
| DRC-60B | 27.6V, 0~2.15A | ±1% | 200mV | 88% | 59W |
| | 27.6V, 0~0.75A (Charger) | | | | |

◆ DRC-100 Series

| Model No. | Output | Tol. | R&N | Effi. | Max. |
|-----------|--------------------------|------|-------|-------|------|
| DRC-100A | 13.8V, 0~7A | ±1% | 120mV | 86% | 97W |
| | 13.8V, 0~2.5A (Charger) | | | | |
| DRC-100B | 27.6V, 0~3.5A | ±1% | 240mV | 88% | 97W |
| | 27.6V, 0~1.25A (Charger) | | | | |

35~75W Single Output

- Universal AC input / Full range
- Protections: Short circuit / Overload / Over voltage / Battery reverse polarity protection by fuse
- Cooling by free air convection
- No load power consumption <0.75W
- Suitable for installation in metallic or non-metallic system enclosure
- Temperature compensation function
- LED indicator for power on
- 2 years warranty



AC input voltage range 85~264VAC; 120~370VDC
 DC adjustment range 95%~115% rated output voltage
 Overload protection 120%~165%, hiccup mode, auto-recovery
 Over voltage protection 120%~140%, rated output voltage
 Setup, rise, hold up time 500ms, 30ms, 50ms at full load and 230VAC
 Withstand voltage I/P-O/P: 3kVAC, I/P-FG: 1.5kVAC, 1minute
 Working temperature -20~+60°C (refer to output derating curve)
 Safety standards UL60950-1 approved
 EMC standards EN55022 class B, EN61000-3-2,3, EN61000-4-2,3,4,5,6,8,11
 Connection I/P: 3 poles, O/P: 2 poles screw terminal

◆ SCP-35 Series

| Model No. | Output | Tol. | R&N | Effi. | Max. |
|-----------|---------------|------|-------|-------|------|
| SCP-35-12 | 13.8V, 0~2.6A | ±2% | 120mV | 83% | 36W |
| SCP-35-24 | 27.6V, 0~1.4A | ±1% | 200mV | 86% | 39W |

◆ SCP-50 Series

| Model No. | Output | Tol. | R&N | Effi. | Max. |
|-----------|---------------|------|-------|-------|------|
| SCP-50-12 | 13.8V, 0~3.6A | ±2% | 120mV | 81% | 50W |
| SCP-50-24 | 27.6V, 0~1.8A | ±1% | 200mV | 85% | 50W |

◆ SCP-75 Series

| Model No. | Output | Tol. | R&N | Effi. | Max. |
|-----------|---------------|------|-------|-------|------|
| SCP-75-12 | 13.8V, 0~5.4A | ±2% | 120mV | 81% | 75W |
| SCP-75-24 | 27.6V, 0~2.7A | ±1% | 200mV | 85% | 75W |

200~300W Industrial ATX PC Power Supply



- Universal AC input / Full range
- Low profile for 1U/2U rack system
- Built-in active PFC function
- Protections: Short circuit / Overload / Over voltage
- With power good and fail signal output
- Forced air cooling by built-in DC fan
- PS-ON signal input
- 2 years warranty

Hold up time 16ms min. at full load and 115VAC
 Overload protection 105%~150% shut off, AC recycle to re-start
 Over voltage protection 110%~140% rated output voltage for CH1~CH3
 Withstand voltage I/P-O/P, I/P-FG: 1.5kVAC, 1minute
 Working temperature -10~+60°C (refer to output derating curve)
 Safety standards UL60950-1, TUV EN60950-1 approved
 EMC standards EN55022 class B, EN61000-3-2,3, EN61000-4-2,3,4,5,6,8,11

| Model No. | Output | Tol. | R&N | Effi. | Max. |
|-----------|----------------|------|-------|-------|------|
| IPC-200 | 3.3V, 0~15A | ±5% | 50mV | 74.5% | 200W |
| | 5V, 1~25A | ±5% | 50mV | | |
| | 12V, 1~13A | ±7% | 120mV | | |
| | -5V, 0~0.5A | ±8% | 100mV | | |
| IPC-250 | -12V, 0.1~1.0A | ±10% | 120mV | 75% | 250W |
| | 5VSB, 0~2.0A | ±5% | 50mV | | |
| | 3.3V, 0~20A | ±5% | 50mV | | |
| | 5V, 1~25A | ±5% | 50mV | | |
| IPC-300A | 12V, 1~15A | ±7% | 120mV | 75% | 300W |
| | -5V, 0~0.5A | ±8% | 100mV | | |
| | -12V, 0.1~1.0A | ±10% | 120mV | | |
| | 5VSB, 0~2.0A | ±5% | 50mV | | |
| IPC-300B | 3.3V, 0~20A | ±5% | 50mV | 80% | 300W |
| | 5V, 1~30A | ±5% | 50mV | | |
| | 12V, 1~18A | ±7% | 120mV | | |
| | -5V, 0~0.5A | ±8% | 100mV | | |
| IPC-300B | -12V, 0.1~1.0A | ±10% | 120mV | 80% | 300W |
| | 5VSB, 0~2.0A | ±5% | 50mV | | |
| | 24V, 0~3.0A | ±5% | 240mV | | |
| | 5V, 1~30A | ±5% | 50mV | | |
| IPC-300B | 12V, 1~18A | ±7% | 120mV | 80% | 300W |
| | -5V, 0~0.5A | ±8% | 100mV | | |
| | -12V, 0.1~1.0A | ±10% | 120mV | | |
| | 5VSB, 0~2.0A | ±5% | 50mV | | |

0.5W DC-DC Regulated Single Output

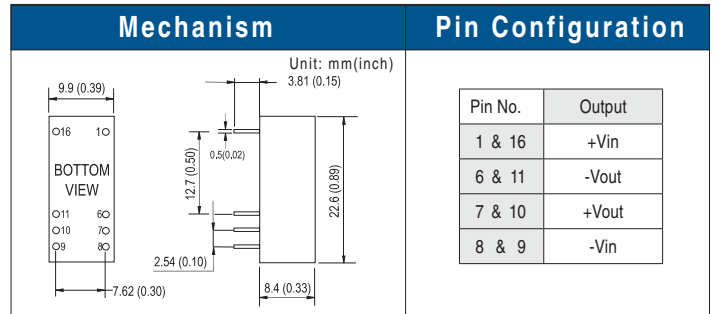
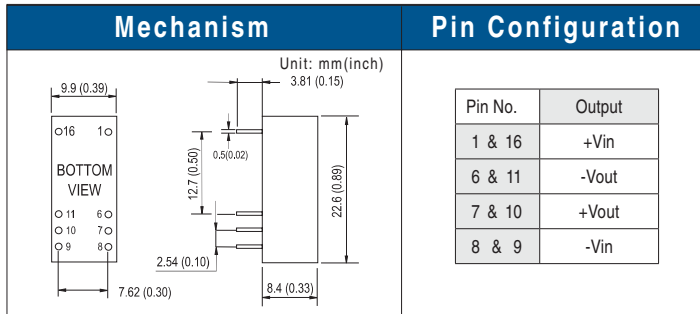


- 1000VDC I/O isolation
- Internal SMD technology
- Built-in EMI filter
- Protection: Short circuit
- Cooling by free air convection
- Non-conductive plastic case
- Dual in line package
- 100% full load burn-in test
- Low cost, high reliability
- 2 years warranty

1W DC-DC Unregulated Single Output



- 1000VDC I/O isolation
- Internal SMD technology
- Built-in EMI filter
- Protection: Short circuit
- Cooling by free air convection
- Non-conductive plastic case
- Dual in line package
- 100% full load burn-in test
- Low cost, high reliability
- 2 years warranty



Voltage set point accuracy... $\pm 2\%$ (typical)
 Line regulation $\pm 1\%$ (max.)
 Load regulation $\pm 1\%$ (max.)@10~100% load
 Input reflected ripple 120mVp-p
 Efficiency 60% (typical)
 Short circuit protection Continuous, auto-recovery
 Switching frequency 50kHz (min.)
 I/O isolation voltage 1000VDC (min.)
 I/O isolation resistance 100M Ω (min.)@ 500VDC
 Isolation capacitance 80pF (max.)
 Working temperature -25°C to +60°C (no derating), +71°C@80% load
 Storage temperature -25°C to +105°C
 Temp. Coefficient $\pm 0.03\%$ / °C (max.)
 Case material non-conductive plastic
 EMC Compliance to EN55022 class B,
 EN61000-4-2,3,4,5,6,8, FCC part15 class B

Voltage set point accuracy ... $\pm 2\%$ (max.)
 Line regulation $\pm 1.2\%$ (max.) for 1% input variation
 Load regulation $\pm 8\%$ (max.)@20~100% load
 Input reflected ripple 120mVp-p
 Efficiency 83% (typical)
 Short circuit protection Momentary
 Switching frequency 50kHz (min.)
 I/O isolation voltage 1000VDC (min.)
 I/O isolation resistance 100M Ω (min.)@ 500VDC
 Isolation capacitance 80pF (max.)
 Working temperature -25°C to +60°C (no derating), +71°C@80% load
 Storage temperature -25°C to +105°C
 Temp. Coefficient $\pm 0.03\%$ / °C (max.)
 Case material non-conductive plastic
 EMC Compliance to EN55022 class B,
 EN61000-4-2,3,4,5,6,8, FCC part15 class B

| Model No. | Input (VDC) | Output (VDC) | Current (mA) | R&N (mVp-p) |
|-----------|---------------|--------------|--------------|-------------|
| SRS-0505 | 5 $\pm 10\%$ | 5 | 100 | 100 |
| SRS-0509 | 5 $\pm 10\%$ | 9 | 56 | 100 |
| SRS-0512 | 5 $\pm 10\%$ | 12 | 42 | 100 |
| SRS-0515 | 5 $\pm 10\%$ | 15 | 34 | 100 |
| SRS-1205 | 12 $\pm 10\%$ | 5 | 100 | 100 |
| SRS-1209 | 12 $\pm 10\%$ | 9 | 56 | 100 |
| SRS-1212 | 12 $\pm 10\%$ | 12 | 42 | 100 |
| SRS-1215 | 12 $\pm 10\%$ | 15 | 34 | 100 |
| SRS-2405 | 24 $\pm 10\%$ | 5 | 100 | 100 |
| SRS-2409 | 24 $\pm 10\%$ | 9 | 56 | 100 |
| SRS-2412 | 24 $\pm 10\%$ | 12 | 42 | 100 |
| SRS-2415 | 24 $\pm 10\%$ | 15 | 34 | 100 |
| SRS-4805 | 48 $\pm 10\%$ | 5 | 100 | 100 |
| SRS-4809 | 48 $\pm 10\%$ | 9 | 56 | 100 |
| SRS-4812 | 48 $\pm 10\%$ | 12 | 42 | 100 |
| SRS-4815 | 48 $\pm 10\%$ | 15 | 34 | 100 |

| Model No. | Input (VDC) | Output (VDC) | Current (mA) | R&N (mVp-p) |
|-----------|---------------|--------------|--------------|-------------|
| SUS01L-05 | 5 $\pm 10\%$ | 5 | 200 | 100 |
| SUS01L-09 | 5 $\pm 10\%$ | 9 | 111 | 100 |
| SUS01L-12 | 5 $\pm 10\%$ | 12 | 84 | 100 |
| SUS01L-15 | 5 $\pm 10\%$ | 15 | 67 | 100 |
| SUS01M-05 | 12 $\pm 10\%$ | 5 | 200 | 100 |
| SUS01M-09 | 12 $\pm 10\%$ | 9 | 111 | 100 |
| SUS01M-12 | 12 $\pm 10\%$ | 12 | 84 | 100 |
| SUS01M-15 | 12 $\pm 10\%$ | 15 | 67 | 100 |
| SUS01N-05 | 24 $\pm 10\%$ | 5 | 200 | 100 |
| SUS01N-09 | 24 $\pm 10\%$ | 9 | 111 | 100 |
| SUS01N-12 | 24 $\pm 10\%$ | 12 | 84 | 100 |
| SUS01N-15 | 24 $\pm 10\%$ | 15 | 67 | 100 |
| SUS01O-05 | 48 $\pm 10\%$ | 5 | 200 | 100 |
| SUS01O-09 | 48 $\pm 10\%$ | 9 | 111 | 100 |
| SUS01O-12 | 48 $\pm 10\%$ | 12 | 84 | 100 |
| SUS01O-15 | 48 $\pm 10\%$ | 15 | 67 | 100 |

1W DC-DC Unregulated Single Output



0.50"x 0.30"x 0.24"

- 1000VDC I/O isolation
- Internal SMD technology
- Protection: Short circuit
- Cooling by free air convection
- Non-conductive plastic case
- SMD package style
- 100% full load burn-in test
- Low cost, high reliability
- 1 year warranty

| Mechanism | | Pin Configuration | | | | | | | | | | | | | | | | | | | |
|----------------|--------|---|--|---------|--------|---|------|---|------|---|----|---|-------|---|-------|---|----|---|----|---|----|
| Unit: mm(inch) | | | | | | | | | | | | | | | | | | | | | |
| | | <table border="1"> <thead> <tr> <th>Pin No.</th> <th>Output</th> </tr> </thead> <tbody> <tr><td>1</td><td>-Vin</td></tr> <tr><td>2</td><td>+Vin</td></tr> <tr><td>3</td><td>NC</td></tr> <tr><td>4</td><td>-Vout</td></tr> <tr><td>5</td><td>+Vout</td></tr> <tr><td>6</td><td>NC</td></tr> <tr><td>7</td><td>NC</td></tr> <tr><td>8</td><td>NC</td></tr> </tbody> </table> | | Pin No. | Output | 1 | -Vin | 2 | +Vin | 3 | NC | 4 | -Vout | 5 | +Vout | 6 | NC | 7 | NC | 8 | NC |
| Pin No. | Output | | | | | | | | | | | | | | | | | | | | |
| 1 | -Vin | | | | | | | | | | | | | | | | | | | | |
| 2 | +Vin | | | | | | | | | | | | | | | | | | | | |
| 3 | NC | | | | | | | | | | | | | | | | | | | | |
| 4 | -Vout | | | | | | | | | | | | | | | | | | | | |
| 5 | +Vout | | | | | | | | | | | | | | | | | | | | |
| 6 | NC | | | | | | | | | | | | | | | | | | | | |
| 7 | NC | | | | | | | | | | | | | | | | | | | | |
| 8 | NC | | | | | | | | | | | | | | | | | | | | |

- Voltage set point accuracy $\pm 8\%$ (max.)
- Line regulation $\pm 1.2\%$ (max.) for 1% input variation
- Load regulation $\pm 8\%$ (max.) @ 20~100% load
- Input reflected ripple 100mVp-p
- Efficiency 75% (typical)
- Short circuit protection Momentary
- Switching frequency 100kHz (typical)
- I/O isolation voltage 1000VDC (min.)
- I/O isolation resistance 100M Ω (min.) @ 500VDC
- Working temperature -40°C to +85°C
- Storage temperature -40°C to +105°C
- Temp. Coefficient $\pm 0.03\%$ / °C (max.)
- Case material non-conductive plastic
- Safety standards UL60950-1 approved

| Model No. | Input (VDC) | Output (VDC) | Current (mA) | R&N (mVp-p) |
|-----------|---------------|--------------|--------------|-------------|
| SBT01L-05 | 5 $\pm 10\%$ | 5 | 200 | 100 |
| SBT01L-09 | 5 $\pm 10\%$ | 9 | 111 | 100 |
| SBT01L-12 | 5 $\pm 10\%$ | 12 | 84 | 100 |
| SBT01L-15 | 5 $\pm 10\%$ | 15 | 67 | 100 |
| SBT01M-05 | 12 $\pm 10\%$ | 5 | 200 | 100 |
| SBT01M-09 | 12 $\pm 10\%$ | 9 | 111 | 100 |
| SBT01M-12 | 12 $\pm 10\%$ | 12 | 84 | 100 |
| SBT01M-15 | 12 $\pm 10\%$ | 15 | 67 | 100 |



We provide specification, drawing, test report and more information, please visit our website — <http://www.meanwell.com>



Best products also need best service.
We have authorized distributors all over the world. They have sufficient stock for your prompt delivery. Also they can offer you technical support & RMA services. Please contact your local distributors for more product information. You can also contact us at info@meanwell.com for information of your local distributors.

1W DC-DC Unregulated Single and Dual Output



0.60"x 0.295"x 0.255"

- 3000VDC I/O isolation
- Internal SMD technology
- Protection: Short circuit
- Cooling by free air convection
- Non-conductive plastic case
- SMD package style
- 100% full load burn-in test
- Low cost, high reliability
- 1 year warranty

| Mechanism | | Pin Configuration | | | | | | | | | | | | | | | | | | | | | | | | | | | | | | | | | | | | | |
|----------------|--------|--|--|--|---------|--------|--|--------|------|---|------|------|---|------|------|---|----|----|---|-------|-----|---|----|-------|---|----|----|---|-------|-------|----|----|----|----|----|----|----|----|----|
| Unit: mm(inch) | | | | | | | | | | | | | | | | | | | | | | | | | | | | | | | | | | | | | | | |
| | | <table border="1"> <thead> <tr> <th rowspan="2">Pin No.</th> <th colspan="2">Output</th> </tr> <tr> <th>Single</th> <th>Dual</th> </tr> </thead> <tbody> <tr><td>1</td><td>-Vin</td><td>-Vin</td></tr> <tr><td>2</td><td>+Vin</td><td>+Vin</td></tr> <tr><td>3</td><td>NC</td><td>NC</td></tr> <tr><td>5</td><td>-Vout</td><td>COM</td></tr> <tr><td>6</td><td>NC</td><td>-Vout</td></tr> <tr><td>7</td><td>NC</td><td>NC</td></tr> <tr><td>8</td><td>+Vout</td><td>+Vout</td></tr> <tr><td>10</td><td>NC</td><td>NC</td></tr> <tr><td>11</td><td>NC</td><td>NC</td></tr> <tr><td>12</td><td>NC</td><td>NC</td></tr> </tbody> </table> | | | Pin No. | Output | | Single | Dual | 1 | -Vin | -Vin | 2 | +Vin | +Vin | 3 | NC | NC | 5 | -Vout | COM | 6 | NC | -Vout | 7 | NC | NC | 8 | +Vout | +Vout | 10 | NC | NC | 11 | NC | NC | 12 | NC | NC |
| Pin No. | Output | | | | | | | | | | | | | | | | | | | | | | | | | | | | | | | | | | | | | | |
| | Single | Dual | | | | | | | | | | | | | | | | | | | | | | | | | | | | | | | | | | | | | |
| 1 | -Vin | -Vin | | | | | | | | | | | | | | | | | | | | | | | | | | | | | | | | | | | | | |
| 2 | +Vin | +Vin | | | | | | | | | | | | | | | | | | | | | | | | | | | | | | | | | | | | | |
| 3 | NC | NC | | | | | | | | | | | | | | | | | | | | | | | | | | | | | | | | | | | | | |
| 5 | -Vout | COM | | | | | | | | | | | | | | | | | | | | | | | | | | | | | | | | | | | | | |
| 6 | NC | -Vout | | | | | | | | | | | | | | | | | | | | | | | | | | | | | | | | | | | | | |
| 7 | NC | NC | | | | | | | | | | | | | | | | | | | | | | | | | | | | | | | | | | | | | |
| 8 | +Vout | +Vout | | | | | | | | | | | | | | | | | | | | | | | | | | | | | | | | | | | | | |
| 10 | NC | NC | | | | | | | | | | | | | | | | | | | | | | | | | | | | | | | | | | | | | |
| 11 | NC | NC | | | | | | | | | | | | | | | | | | | | | | | | | | | | | | | | | | | | | |
| 12 | NC | NC | | | | | | | | | | | | | | | | | | | | | | | | | | | | | | | | | | | | | |

- Voltage set point accuracy $\pm 8\%$ (max.)
- Line regulation $\pm 1.2\%$ (max.) for 1% input variation
- Load regulation $\pm 8\%$ (max.) @ 20~100% load
- Efficiency 79% (typical)
- Short circuit protection Momentary
- Switching frequency 100kHz (typical)
- I/O isolation voltage 3000VDC (min.)
- I/O isolation resistance 100M Ω (min.) @ 500VDC
- Working temperature -40°C to +85°C
- Storage temperature -40°C to +105°C
- Temp. Coefficient $\pm 0.03\%$ / °C (max.)
- Case material non-conductive plastic
- Safety standards UL60950-1, CSA C22.2 approved

| Model No. | Input (VDC) | Output (VDC) | Current (mA) | R&N (mVp-p) |
|-----------|---------------|--------------|--------------|-------------|
| SFT01L-05 | 5 $\pm 10\%$ | 5 | 200 | 100 |
| SFT01L-09 | 5 $\pm 10\%$ | 9 | 111 | 100 |
| SFT01L-12 | 5 $\pm 10\%$ | 12 | 84 | 100 |
| SFT01L-15 | 5 $\pm 10\%$ | 15 | 67 | 100 |
| SFT01M-05 | 12 $\pm 10\%$ | 5 | 200 | 100 |
| SFT01M-12 | 12 $\pm 10\%$ | 12 | 84 | 100 |
| SFT01M-15 | 12 $\pm 10\%$ | 15 | 67 | 100 |

| Model No. | Input (VDC) | Output (VDC) | Current (mA) | R&N (mVp-p) |
|-----------|---------------|--------------|--------------|-------------|
| DET01L-05 | 5 $\pm 10\%$ | ± 5 | ± 100 | 100 |
| DET01L-09 | 5 $\pm 10\%$ | ± 9 | ± 56 | 100 |
| DET01L-12 | 5 $\pm 10\%$ | ± 12 | ± 42 | 100 |
| DET01L-15 | 5 $\pm 10\%$ | ± 15 | ± 33 | 100 |
| DET01M-05 | 12 $\pm 10\%$ | ± 5 | ± 100 | 100 |
| DET01M-12 | 12 $\pm 10\%$ | ± 12 | ± 42 | 100 |
| DET01M-15 | 12 $\pm 10\%$ | ± 15 | ± 33 | 100 |



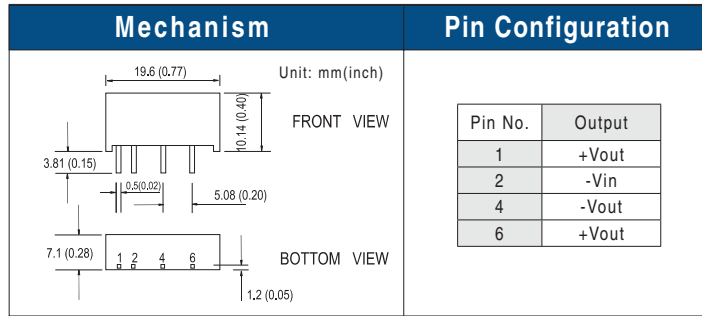
Customer Satisfaction —
Today's effort, tomorrow's reward. Continuously improve CQTS to satisfy customer is our goal.

1W DC-DC Regulated Single Output



0.77"x 0.28"x 0.4"

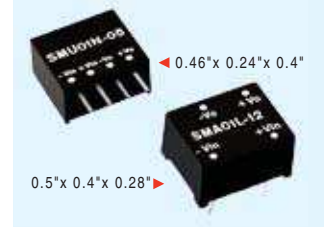
- 1000VDC I/O isolation
- Internal SMD technology
- Built-in EMI filter
- Protection: Short circuit / Overload
- Cooling by free air convection
- Non-conductive plastic case
- Single in line package
- 100% full load burn-in test
- Low cost, high reliability
- 2 years warranty



- Voltage set point accuracy ... $\pm 2\%$ (typical)
- Line regulation $\pm 1\%$ (max.)
- Load regulation $\pm 1\%$ (max.) @ 10~100% load
- Efficiency 65% (typical)
- Overload protection >110% hiccup mode, auto-recovery
- Short circuit protection Continuous, auto-recovery
- Switching frequency 50kHz (min.)
- I/O isolation voltage 1000VDC (min.)
- I/O isolation resistance 100M Ω (min.)
- Isolation capacitance 80pF (max.)
- Working temperature -25~+71°C (refer to output derating curve)
- Storage temperature -25°C to +105°C
- Temp. Coefficient $\pm 0.03\%$ / °C (max.)
- Case material non-conductive plastic
- EMC Compliance to EN55022 class B, EN61000-4-2,3,4,5,6,8, FCC part15 class B

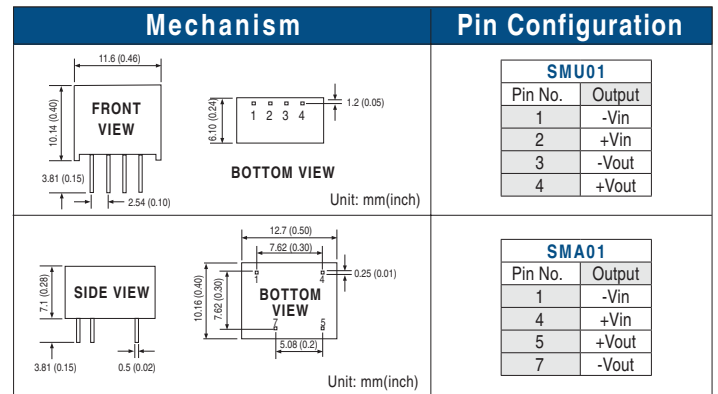
| Model No. | Input (VDC) | Output (VDC) | Current (mA) | R&N (mVp-p) |
|-----------|---------------|--------------|--------------|-------------|
| SPR01L-05 | 5 $\pm 10\%$ | 5 | 200 | 100 |
| SPR01L-09 | 5 $\pm 10\%$ | 9 | 100 | 100 |
| SPR01L-12 | 5 $\pm 10\%$ | 12 | 84 | 100 |
| SPR01L-15 | 5 $\pm 10\%$ | 15 | 67 | 100 |
| SPR01M-05 | 12 $\pm 10\%$ | 5 | 200 | 100 |
| SPR01M-09 | 12 $\pm 10\%$ | 9 | 100 | 100 |
| SPR01M-12 | 12 $\pm 10\%$ | 12 | 84 | 100 |
| SPR01M-15 | 12 $\pm 10\%$ | 15 | 67 | 100 |
| SPR01N-05 | 24 $\pm 10\%$ | 5 | 200 | 100 |
| SPR01N-09 | 24 $\pm 10\%$ | 9 | 100 | 100 |
| SPR01N-12 | 24 $\pm 10\%$ | 12 | 84 | 100 |
| SPR01N-15 | 24 $\pm 10\%$ | 15 | 67 | 100 |
| SPR01O-05 | 48 $\pm 10\%$ | 5 | 200 | 100 |
| SPR01O-09 | 48 $\pm 10\%$ | 9 | 100 | 100 |
| SPR01O-12 | 48 $\pm 10\%$ | 12 | 84 | 100 |
| SPR01O-15 | 48 $\pm 10\%$ | 15 | 67 | 100 |

1W DC-DC Unregulated Single Output



0.5"x 0.4"x 0.28"

- 1500VDC I/O isolation
- Operating temperature range -40~85°C without derating
- Internal SMD technology
- Built-in EMI filter
- Protection: Short circuit
- Cooling by free air convection
- Non-conductive plastic case
- Dual in line package for SMA01
- 100% full load burn-in test
- Industry standard pinout
- 2 years warranty

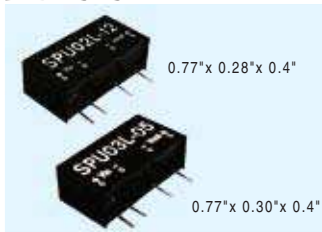


- Voltage set point accuracy $\pm 2\%$ (max.)
- Line regulation $\pm 1.2\%$ (max.) for 1% input variation
- Load regulation $\pm 8\%$ (max.) @ 20~100% load
- Input reflected ripple 100mVp-p
- Efficiency 80% (typical)
- Short circuit protection Momentary
- Switching frequency 100kHz (min.)
- I/O isolation voltage 1500VDC (min.)
- I/O isolation resistance 100M Ω (min.) @ 500VDC
- Isolation capacitance 80pF (max.)
- Working temperature -40~+85°C (no derating)
- Storage temperature -55°C to +125°C
- EMC Compliance to EN55022 class B, EN61000-4-2,3,4,5,6,8, FCC part15 class B

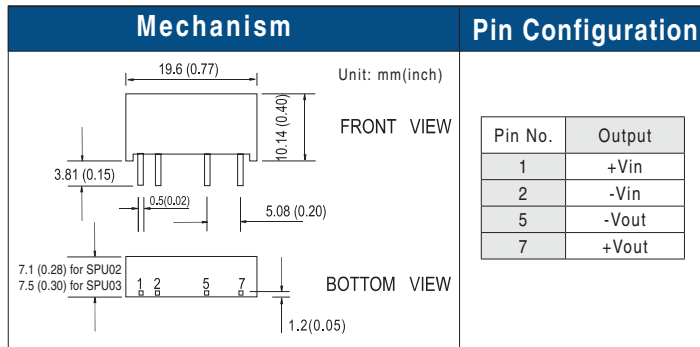
| Model No. | Input (VDC) | Output (VDC) | Current (mA) | R&N (mVp-p) |
|-----------|---------------|--------------|--------------|-------------|
| SMU01L-05 | 5 $\pm 10\%$ | 5 | 200 | 100 |
| SMU01L-09 | 5 $\pm 10\%$ | 9 | 110 | 100 |
| SMU01L-12 | 5 $\pm 10\%$ | 12 | 84 | 100 |
| SMU01L-15 | 5 $\pm 10\%$ | 15 | 67 | 100 |
| SMU01M-05 | 12 $\pm 10\%$ | 5 | 200 | 100 |
| SMU01M-09 | 12 $\pm 10\%$ | 9 | 110 | 100 |
| SMU01M-12 | 12 $\pm 10\%$ | 12 | 84 | 100 |
| SMU01M-15 | 12 $\pm 10\%$ | 15 | 67 | 100 |
| SMU01N-05 | 24 $\pm 10\%$ | 5 | 200 | 100 |
| SMU01N-09 | 24 $\pm 10\%$ | 9 | 110 | 100 |
| SMU01N-12 | 24 $\pm 10\%$ | 12 | 84 | 100 |
| SMU01N-15 | 24 $\pm 10\%$ | 15 | 67 | 100 |

| Model No. | Input (VDC) | Output (VDC) | Current (mA) | R&N (mVp-p) |
|-----------|---------------|--------------|--------------|-------------|
| SMA01L-05 | 5 $\pm 10\%$ | 5 | 200 | 100 |
| SMA01L-09 | 5 $\pm 10\%$ | 9 | 110 | 100 |
| SMA01L-12 | 5 $\pm 10\%$ | 12 | 84 | 100 |
| SMA01L-15 | 5 $\pm 10\%$ | 15 | 67 | 100 |
| SMA01M-05 | 12 $\pm 10\%$ | 5 | 200 | 100 |
| SMA01M-09 | 12 $\pm 10\%$ | 9 | 110 | 100 |
| SMA01M-12 | 12 $\pm 10\%$ | 12 | 84 | 100 |
| SMA01M-15 | 12 $\pm 10\%$ | 15 | 67 | 100 |
| SMA01N-05 | 24 $\pm 10\%$ | 5 | 200 | 100 |
| SMA01N-09 | 24 $\pm 10\%$ | 9 | 110 | 100 |
| SMA01N-12 | 24 $\pm 10\%$ | 12 | 84 | 100 |
| SMA01N-15 | 24 $\pm 10\%$ | 15 | 67 | 100 |

2~3W DC-DC Unregulated Single Output



- 3000VDC I/O isolation
- Internal SMD technology
- Built-in EMI filter
- Protection: Short circuit
- Cooling by free air convection
- Non-conductive plastic case
- Single in line package
- 100% full load burn-in test
- Low cost, high reliability
- 2 years warranty



- Voltage set point accuracy ... $\pm 2\%$ (max.)
- Line regulation $\pm 1.2\%$ (max.) for 1% input variation
- Load regulation $\pm 8\%$ (max.) @20~100% load
- Efficiency 83% (typical) for SPU02; 88% (typical) for SPU03
- Short circuit protection Momentary
- Switching frequency 100kHz (min.) for SPU02; 60kHz (min.) for SPU03
- I/O isolation voltage 3000VDC (min.)
- I/O isolation resistance 100M Ω (min.)
- Isolation capacitance 80pF (max.)
- Working temperature -40~+71 $^{\circ}$ C (refer to output derating curve) for SPU02
 -40~+90 $^{\circ}$ C (refer to output derating curve) for SPU03
- Storage temperature -40 $^{\circ}$ C to +105 $^{\circ}$ C
- Temp. Coefficient $\pm 0.03\%$ / $^{\circ}$ C (max.)
- Case material non-conductive plastic
- EMC Compliance to EN55022 class B,
 EN61000-4-2,3,4,5,6,8, FCC part15 class B

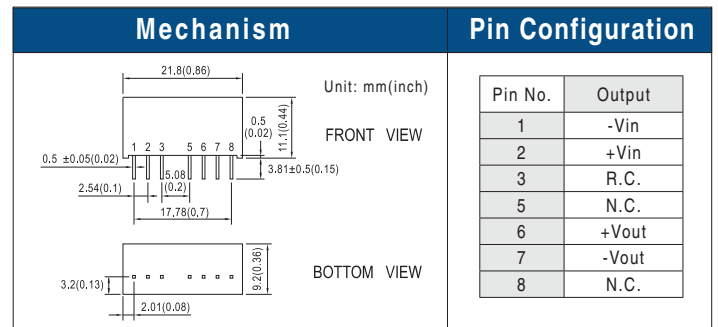
| Model No. | Input (VDC) | Output (VDC) | Current (mA) | R&N (mVp-p) |
|-----------|--------------|--------------|--------------|-------------|
| SPU02L-05 | 5 \pm 10% | 5 | 400 | 100 |
| SPU02L-12 | 5 \pm 10% | 12 | 167 | 100 |
| SPU02L-15 | 5 \pm 10% | 15 | 133 | 100 |
| SPU02M-05 | 12 \pm 10% | 5 | 400 | 100 |
| SPU02M-12 | 12 \pm 10% | 12 | 167 | 100 |
| SPU02M-15 | 12 \pm 10% | 15 | 133 | 100 |
| SPU02N-05 | 24 \pm 10% | 5 | 400 | 100 |
| SPU02N-12 | 24 \pm 10% | 12 | 167 | 100 |
| SPU02N-15 | 24 \pm 10% | 15 | 133 | 100 |

| Model No. | Input (VDC) | Output (VDC) | Current (mA) | R&N (mVp-p) |
|-----------|--------------|--------------|--------------|-------------|
| SPU03L-05 | 5 \pm 10% | 5 | 600 | 50 |
| SPU03L-12 | 5 \pm 10% | 12 | 250 | 50 |
| SPU03L-15 | 5 \pm 10% | 15 | 200 | 50 |
| SPU03M-05 | 12 \pm 10% | 5 | 600 | 50 |
| SPU03M-12 | 12 \pm 10% | 12 | 250 | 50 |
| SPU03M-15 | 12 \pm 10% | 15 | 200 | 50 |
| SPU03N-05 | 24 \pm 10% | 5 | 600 | 50 |
| SPU03N-12 | 24 \pm 10% | 12 | 250 | 50 |
| SPU03N-15 | 24 \pm 10% | 15 | 200 | 50 |

2~5W DC-DC Regulated Single Output



- 2:1 wide input range
- 4:1 wide input range (option) for 2W
- 1000VDC I/O isolation for 2W/3W
- 1500VDC I/O isolation for 5W
- Built-in remote ON/OFF control
- Built-in EMI filter
- Protection: Short circuit / Overload
- Cooling by free air convection
- Non-conductive plastic case
- Single in line package
- 100% full load burn-in test
- Modified models available: output 3.3V / 9V
- 2 years warranty



- Voltage set point accuracy $\pm 2\%$ (max.)
- Line regulation $\pm 0.5\%$ (max.)
- Load regulation $\pm 0.5\%$ (max.) @10~100% load
- Efficiency 85% (typical)
- Short circuit protection Continuous, auto-recovery
- Overload protection 150%~250%, auto-recovery
- I/O isolation voltage 1000VDC (min.) for 2W/3W, 1500VDC (min.) for 5W
- I/O isolation resistance 100M Ω (min.)
- Working temperature -40~+85 $^{\circ}$ C (refer to output derating curve)
- Case material non-conductive plastic
- EMC Compliance to EN55022 class B,
 EN61000-4-2,3,4,5,6,8, FCC part15 class B

| Model No. | Input (VDC) | Output (VDC) | Current (mA) | R&N (mVp-p) |
|-----------|-------------|--------------|--------------|-------------|
| SPA02E-05 | 4.5~9 | 5 | 400 | 60 |
| SPA02E-12 | 4.5~9 | 12 | 150 | 60 |
| SPA02E-15 | 4.5~9 | 15 | 120 | 60 |
| SPA02A-05 | 9~18 | 5 | 400 | 60 |
| SPA02A-12 | 9~18 | 12 | 167 | 60 |
| SPA02A-15 | 9~18 | 15 | 133 | 60 |
| SPA02B-05 | 18~36 | 5 | 400 | 60 |
| SPA02B-12 | 18~36 | 12 | 167 | 60 |
| SPA02B-15 | 18~36 | 15 | 133 | 60 |
| SPA02C-05 | 36~72 | 5 | 400 | 60 |
| SPA02C-12 | 36~72 | 12 | 167 | 60 |
| SPA02C-15 | 36~72 | 15 | 133 | 60 |

| Model No. | Input (VDC) | Output (VDC) | Current (mA) | R&N (mVp-p) |
|-----------|-------------|--------------|--------------|-------------|
| SPB03E-05 | 4.5~9 | 5 | 600 | 50 |
| SPB03E-12 | 4.5~9 | 12 | 250 | 60 |
| SPB03E-15 | 4.5~9 | 15 | 200 | 60 |
| SPB03A-05 | 9~18 | 5 | 600 | 50 |
| SPB03A-12 | 9~18 | 12 | 250 | 60 |
| SPB03A-15 | 9~18 | 15 | 200 | 60 |
| SPB03B-05 | 18~36 | 5 | 600 | 50 |
| SPB03B-12 | 18~36 | 12 | 250 | 60 |
| SPB03B-15 | 18~36 | 15 | 200 | 60 |
| SPB03C-05 | 36~72 | 5 | 600 | 50 |
| SPB03C-12 | 36~72 | 12 | 250 | 60 |
| SPB03C-15 | 36~72 | 15 | 200 | 60 |

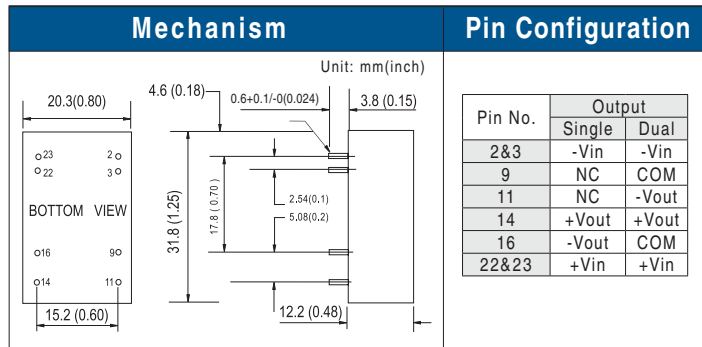
| Model No. | Input (VDC) | Output (VDC) | Current (mA) | R&N (mVp-p) |
|-----------|-------------|--------------|--------------|-------------|
| SPB05A-05 | 9~18 | 5 | 1000 | 80 |
| SPB05A-12 | 9~18 | 12 | 417 | 90 |
| SPB05A-15 | 9~18 | 15 | 333 | 90 |
| SPB05B-05 | 18~36 | 5 | 1000 | 80 |
| SPB05B-12 | 18~36 | 12 | 417 | 90 |
| SPB05B-15 | 18~36 | 15 | 333 | 90 |
| SPB05C-05 | 36~72 | 5 | 1000 | 80 |
| SPB05C-12 | 36~72 | 12 | 417 | 90 |
| SPB05C-15 | 36~72 | 15 | 333 | 90 |

3W DC-DC Regulated Single and Dual Output



1.25"x 0.8"x 0.48"

- 2:1 wide input range
- 4:1 wide input range (option)
- 1000VDC I/O isolation
- 3000VDC I/O isolation (option)
- Built-in EMI filter
- Protection: Short circuit / Overload
- Cooling by free air convection
- Five-sided shield metal case
- 100% full load burn-in test
- Low cost, high reliability
- 2 years warranty



- Voltage set point accuracy $\pm 2\%$ (max.)
 Line regulation $\pm 0.5\%$ (max.)
 Load regulation $\pm 0.5\%$ (max.) @ 10~100% load
 Efficiency 82% (typical)
 Short circuit protection Continuous, auto-recovery
 Overload protection 160%~250%, auto-recovery
 I/O isolation voltage 1000VDC (min.)
 I/O isolation resistance 100M Ω (min.) @ 500VDC
 Isolation capacitance 80pF (max.)
 Working temperature -40~+71°C (refer to output derating curve)
 Storage temperature -40°C to +105°C
 Temp. Coefficient $\pm 0.03\%$ / °C (max.)
 Case material Five-sided shield metal case
 EMC Compliance to EN55022 class B,
 EN61000-4-2,3,4,5,6,8, FCC part15 class B

Single Output

| Model No. | Input (VDC) | Output (VDC) | Current (mA) | R&N (mVp-p) |
|-----------|-------------|--------------|--------------|-------------|
| SCW03A-05 | 9~18 | 5 | 600 | 50 |
| SCW03A-12 | 9~18 | 12 | 250 | 60 |
| SCW03A-15 | 9~18 | 15 | 200 | 60 |
| SCW03B-05 | 18~36 | 5 | 600 | 50 |
| SCW03B-12 | 18~36 | 12 | 250 | 60 |
| SCW03B-15 | 18~36 | 15 | 200 | 60 |
| SCW03C-05 | 36~72 | 5 | 600 | 50 |
| SCW03C-12 | 36~72 | 12 | 250 | 60 |
| SCW03C-15 | 36~72 | 15 | 200 | 60 |

Dual Output

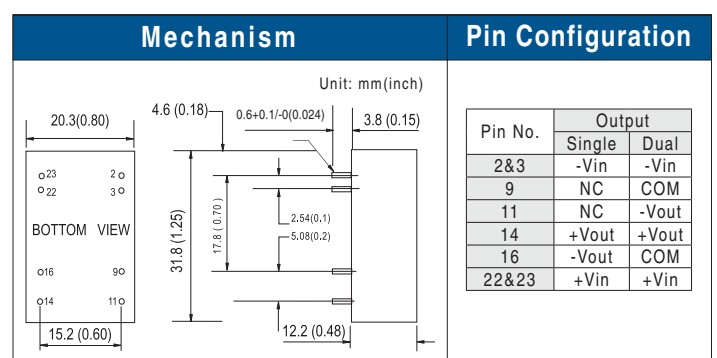
| Model No. | Input (VDC) | Output (VDC) | Current (mA) | R&N (mVp-p) |
|-----------|-------------|--------------|--------------|-------------|
| DCW03A-05 | 9~18 | ± 5 | ± 300 | 50 |
| DCW03A-12 | 9~18 | ± 12 | ± 125 | 60 |
| DCW03A-15 | 9~18 | ± 15 | ± 100 | 60 |
| DCW03B-05 | 18~36 | ± 5 | ± 300 | 50 |
| DCW03B-12 | 18~36 | ± 12 | ± 125 | 60 |
| DCW03B-15 | 18~36 | ± 15 | ± 100 | 60 |
| DCW03C-05 | 36~72 | ± 5 | ± 300 | 50 |
| DCW03C-12 | 36~72 | ± 12 | ± 125 | 60 |
| DCW03C-15 | 36~72 | ± 15 | ± 100 | 60 |

5~6W DC-DC Regulated Single and Dual Output



1.25"x 0.8"x 0.48"

- 2:1 wide input range
- 4:1 wide input range(option)
- 1000VDC I/O isolation
- 3000VDC I/O isolation(option)
- Built-in EMI filter
- Protection: Short circuit / Overload
- Cooling by free air convection
- Five-sided shield metal case
- 100% full load burn-in test
- Low cost, high reliability
- 2 years warranty



- Voltage set point accuracy $\pm 2\%$ (max.)
 Line regulation $\pm 0.5\%$ (max.)
 Load regulation $\pm 0.5\%$ (max.) @ 20~100% load
 Efficiency 85% (typical)
 Short circuit protection Continuous, auto-recovery
 Overload protection 150%~250%, auto-recovery
 I/O isolation voltage 1000VDC (min.)
 I/O isolation resistance 100M Ω (min.) @ 500VDC
 Isolation capacitance 80pF (max.)
 Working temperature -40~+71°C (refer to output derating curve)
 Storage temperature -40°C to +105°C
 Temp. Coefficient $\pm 0.03\%$ / °C (max.)
 Case material Five-sided shield metal case
 EMC Compliance to EN55022 class B,
 EN61000-4-2,3,4,5,6,8, FCC part15 class B

Single Output

| Model No. | Input (VDC) | Output (VDC) | Current (mA) | R&N (mVp-p) |
|-----------|-------------|--------------|--------------|-------------|
| SCW05A-05 | 9~18 | 5 | 1000 | 50 |
| SCW05A-09 | 9~18 | 9 | 556 | 60 |
| SCW05A-12 | 9~18 | 12 | 470 | 60 |
| SCW05A-15 | 9~18 | 15 | 400 | 60 |
| SCW05B-05 | 18~36 | 5 | 1000 | 50 |
| SCW05B-09 | 18~36 | 9 | 556 | 60 |
| SCW05B-12 | 18~36 | 12 | 470 | 60 |
| SCW05B-15 | 18~36 | 15 | 400 | 60 |
| SCW05C-05 | 36~72 | 5 | 1000 | 50 |
| SCW05C-09 | 36~72 | 9 | 556 | 60 |
| SCW05C-12 | 36~72 | 12 | 470 | 60 |
| SCW05C-15 | 36~72 | 15 | 400 | 60 |

Dual Output

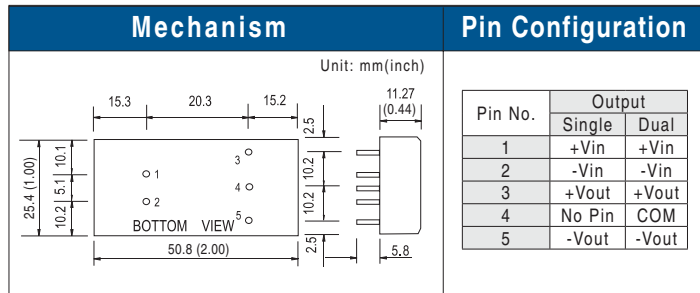
| Model No. | Input (VDC) | Output (VDC) | Current (mA) | R&N (mVp-p) |
|-----------|-------------|--------------|--------------|-------------|
| DCW05A-05 | 9~18 | ± 5 | ± 500 | 50 |
| DCW05A-12 | 9~18 | ± 12 | ± 230 | 60 |
| DCW05A-15 | 9~18 | ± 15 | ± 190 | 60 |
| DCW05B-05 | 18~36 | ± 5 | ± 500 | 50 |
| DCW05B-12 | 18~36 | ± 12 | ± 230 | 60 |
| DCW05B-15 | 18~36 | ± 15 | ± 190 | 60 |
| DCW05C-05 | 36~72 | ± 5 | ± 500 | 50 |
| DCW05C-12 | 36~72 | ± 12 | ± 230 | 60 |
| DCW05C-15 | 36~72 | ± 15 | ± 190 | 60 |

5W DC-DC Regulated Single and Dual Output



2"x 1"x 0.44"

- 2:1 wide input range
- 4:1 wide input range(option)
- 1000VDC I/O isolation
- 3000VDC I/O isolation(option)
- Built-in EMI filter
- Protection: Short circuit / Overload
- Cooling by free air convection
- Six-sided shield metal case
- 100% full load burn-in test
- Low cost, high reliability
- 2 years warranty



- Voltage set point accuracy ... $\pm 2\%$ (max.)
 Line regulation $\pm 0.2\%$ (max.)
 Load regulation $\pm 0.5\%$ (max.)@10~100% load
 Efficiency 85% (typical)
 Short circuit protection Continuous, auto-recovery
 Overload protection 160%~250%, auto-recovery
 I/O isolation voltage 1000VDC (min.)
 I/O isolation resistance 100M Ω (min.)@ 500VDC
 Working temperature -25~+71°C (refer to output derating curve)
 Storage temperature -25°C to +105°C
 Temp. Coefficient $\pm 0.03\%$ / °C (max.)
 Case material Six-sided shield metal case
 EMC Compliance to EN55022 class B,
 EN61000-4-2,3,4,5,6,8, FCC part15 class B

Single Output

| Model No. | Input (VDC) | Output (VDC) | Current (mA) | R&N (mVp-p) |
|-----------|-------------|--------------|--------------|-------------|
| SLW05A-05 | 9~18 | 5 | 1000 | 50 |
| SLW05A-09 | 9~18 | 9 | 556 | 60 |
| SLW05A-12 | 9~18 | 12 | 417 | 60 |
| SLW05A-15 | 9~18 | 15 | 333 | 60 |
| SLW05B-05 | 18~36 | 5 | 1000 | 50 |
| SLW05B-09 | 18~36 | 9 | 556 | 60 |
| SLW05B-12 | 18~36 | 12 | 417 | 60 |
| SLW05B-15 | 18~36 | 15 | 333 | 60 |
| SLW05C-05 | 36~72 | 5 | 1000 | 50 |
| SLW05C-09 | 36~72 | 9 | 556 | 60 |
| SLW05C-12 | 36~72 | 12 | 417 | 60 |
| SLW05C-15 | 36~72 | 15 | 333 | 60 |

Dual Output

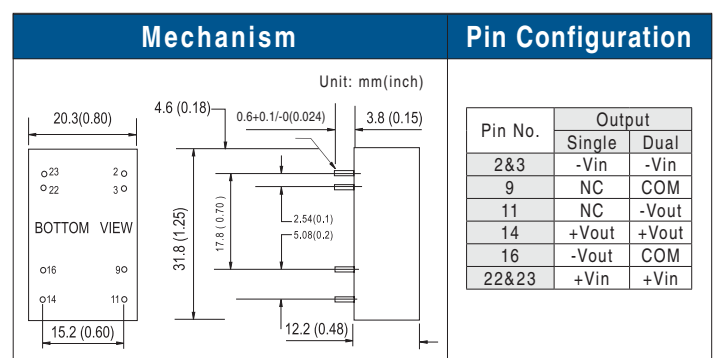
| Model No. | Input (VDC) | Output (VDC) | Current (mA) | R&N (mVp-p) |
|-----------|-------------|--------------|--------------|-------------|
| DLW05A-05 | 9~18 | ± 5 | ± 500 | 50 |
| DLW05A-12 | 9~18 | ± 12 | ± 208 | 60 |
| DLW05A-15 | 9~18 | ± 15 | ± 167 | 60 |
| DLW05B-05 | 18~36 | ± 5 | ± 500 | 50 |
| DLW05B-12 | 18~36 | ± 12 | ± 208 | 60 |
| DLW05B-15 | 18~36 | ± 15 | ± 167 | 60 |
| DLW05C-05 | 36~72 | ± 5 | ± 500 | 50 |
| DLW05C-12 | 36~72 | ± 12 | ± 208 | 60 |
| DLW05C-15 | 36~72 | ± 15 | ± 167 | 60 |

8W DC-DC Regulated Single and Dual Output



1.25"x 0.8"x 0.48"

- 2:1 wide input range
- 1000VDC I/O isolation
- Built-in EMI filter
- Protection: Short circuit / Overload
- Cooling by free air convection
- Five-sided shield metal case
- 100% full load burn-in test
- Low cost, high reliability
- 2 years warranty



- Voltage set point accuracy $\pm 2\%$ (max.)
 Line regulation $\pm 0.5\%$ (max.)
 Load regulation $\pm 0.5\%$ (max.)@20~100% load
 Efficiency 82% (typical)
 Short circuit protection Continuous, auto-recovery
 Overload protection 110%~250%, auto-recovery
 I/O isolation voltage 1000VDC (min.)
 I/O isolation resistance 100M Ω (min.)@ 500VDC
 Isolation capacitance 250pF (max.)
 Working temperature -40~+71°C (refer to output derating curve)
 Storage temperature -40°C to +105°C
 Temp. Coefficient $\pm 0.03\%$ / °C (max.)
 Case material Five-sided shield metal case
 EMC Compliance to EN55022 class B,
 EN61000-4-2,3,4,5,6,8, FCC part15 class B

Single Output

| Model No. | Input (VDC) | Output (VDC) | Current (mA) | R&N (mVp-p) |
|-----------|-------------|--------------|--------------|-------------|
| SCW08A-05 | 9~18 | 5 | 1600 | 50 |
| SCW08A-12 | 9~18 | 12 | 670 | 60 |
| SCW08A-15 | 9~18 | 15 | 533 | 60 |
| SCW08B-05 | 18~36 | 5 | 1600 | 50 |
| SCW08B-12 | 18~36 | 12 | 670 | 60 |
| SCW08B-15 | 18~36 | 15 | 533 | 60 |
| SCW08C-05 | 36~72 | 5 | 1600 | 50 |
| SCW08C-12 | 36~72 | 12 | 670 | 60 |
| SCW08C-15 | 36~72 | 15 | 533 | 60 |

Dual Output

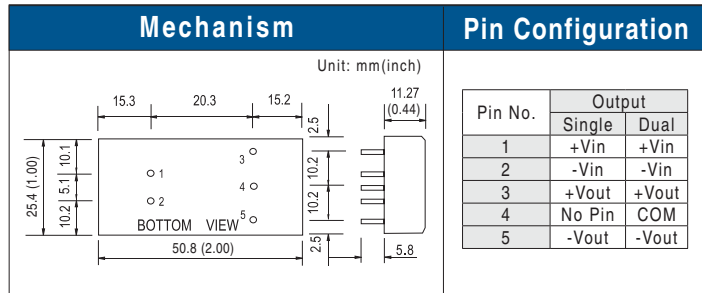
| Model No. | Input (VDC) | Output (VDC) | Current (mA) | R&N (mVp-p) |
|-----------|-------------|--------------|--------------|-------------|
| DCW08A-05 | 9~18 | ± 5 | ± 800 | 50 |
| DCW08A-12 | 9~18 | ± 12 | ± 335 | 60 |
| DCW08A-15 | 9~18 | ± 15 | ± 267 | 60 |
| DCW08B-05 | 18~36 | ± 5 | ± 800 | 50 |
| DCW08B-12 | 18~36 | ± 12 | ± 335 | 60 |
| DCW08B-15 | 18~36 | ± 15 | ± 267 | 60 |
| DCW08C-05 | 36~72 | ± 5 | ± 800 | 50 |
| DCW08C-12 | 36~72 | ± 12 | ± 335 | 60 |
| DCW08C-15 | 36~72 | ± 15 | ± 267 | 60 |

10W DC-DC Regulated Single and Dual Output



2"x 1"x 0.44"

- 2:1 wide input range
- 4:1 wide input range(option)
- 1000VDC I/O isolation
- 3000VDC I/O isolation (option)
- Built-in EMI filter
- Protection: Short circuit / Overload
- Cooling by free air convection
- Six-sided shield metal case
- 100% full load burn-in test
- Low cost, high reliability
- 2 years warranty



- Voltage set point accuracy ... $\pm 2\%$ (max.)
 Line regulation $\pm 0.3\%$ (max.)
 Load regulation $\pm 0.5\%$ (max.) @ 10~100% load
 Efficiency 85% (typical)
 Short circuit protection Continuous, auto-recovery
 Overload protection 160%~250%, auto-recovery
 I/O isolation voltage 1000VDC (min.)
 I/O isolation resistance 100M Ω (min.) @ 500VDC
 Working temperature -25~+71°C (refer to output derating curve)
 Storage temperature -25°C to +105°C
 Temp. Coefficient $\pm 0.03\%$ / °C (max.)
 Case material Six-sided shield metal case
 EMC Compliance to EN55022 class B, EN61000-4-2,3,4,5,6,8, FCC part15 class B

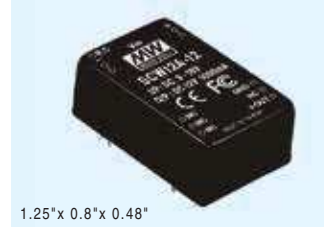
Single Output

| Model No. | Input (VDC) | Output (VDC) | Current (mA) | R&N (mVp-p) |
|-----------|-------------|--------------|--------------|-------------|
| SKE10A-05 | 9~18 | 5 | 2000 | 50 |
| SKE10A-12 | 9~18 | 12 | 840 | 60 |
| SKE10A-15 | 9~18 | 15 | 666 | 60 |
| SKE10A-24 | 9~18 | 24 | 420 | 80 |
| SKE10B-05 | 18~36 | 5 | 2000 | 50 |
| SKE10B-12 | 18~36 | 12 | 840 | 60 |
| SKE10B-15 | 18~36 | 15 | 666 | 60 |
| SKE10B-24 | 18~36 | 24 | 420 | 80 |
| SKE10C-05 | 36~72 | 5 | 2000 | 50 |
| SKE10C-12 | 36~72 | 12 | 840 | 60 |
| SKE10C-15 | 36~72 | 15 | 666 | 60 |
| SKE10C-24 | 36~72 | 24 | 420 | 80 |

Dual Output

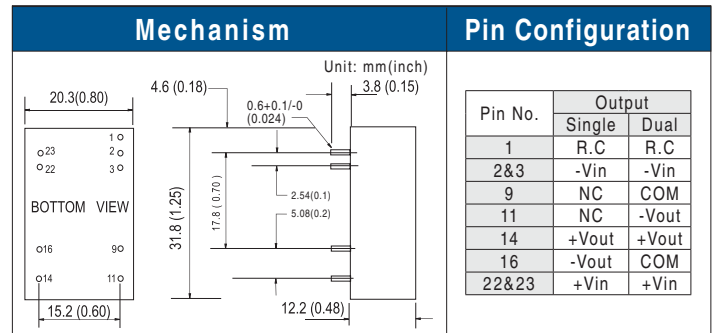
| Model No. | Input (VDC) | Output (VDC) | Current (mA) | R&N (mVp-p) |
|-----------|-------------|--------------|--------------|-------------|
| DKE10A-05 | 9~18 | ± 5 | ± 1000 | 50 |
| DKE10A-12 | 9~18 | ± 12 | ± 420 | 60 |
| DKE10A-15 | 9~18 | ± 15 | ± 333 | 60 |
| DKE10A-24 | 9~18 | ± 24 | ± 210 | 80 |
| DKE10B-05 | 18~36 | ± 5 | ± 1000 | 50 |
| DKE10B-12 | 18~36 | ± 12 | ± 420 | 60 |
| DKE10B-15 | 18~36 | ± 15 | ± 333 | 60 |
| DKE10B-24 | 18~36 | ± 24 | ± 210 | 80 |
| DKE10C-05 | 36~72 | ± 5 | ± 1000 | 50 |
| DKE10C-12 | 36~72 | ± 12 | ± 420 | 60 |
| DKE10C-15 | 36~72 | ± 15 | ± 333 | 60 |
| DKE10C-24 | 36~72 | ± 24 | ± 210 | 80 |

12W DC-DC Regulated Single and Dual Output



1.25"x 0.8"x 0.48"

- 2:1 wide input range
- 1500VDC I/O isolation
- Built-in remote ON/OFF control
- Built-in EMI filter
- Protection: Short circuit / Overload
- Cooling by free air convection
- Five-sided shield metal case
- 100% full load burn-in test
- Low cost, high reliability
- Modified models available: output 2.5V / 3.3V
- 2 years warranty



- Voltage set point accuracy ... $\pm 2\%$ (max.)
 Line regulation $\pm 0.5\%$ (max.)
 Load regulation $\pm 0.5\%$ (max.) @ 20~100% load
 Efficiency 85% (typical)
 Short circuit protection Continuous, auto-recovery
 Overload protection 110%~180%, auto-recovery
 I/O isolation voltage 1500VDC (min.)
 I/O isolation resistance 100M Ω (min.) @ 500VDC
 Working temperature -40~+71°C (refer to output derating curve)
 Storage temperature -40°C to +105°C
 Temp. Coefficient $\pm 0.03\%$ / °C (max.)
 Case material Five-sided shield metal case
 EMC Compliance to EN55022 class A, EN61000-4-2,3,4,5,6,8, FCC part15 class A

Single Output

| Model No. | Input (VDC) | Output (VDC) | Current (mA) | R&N (mVp-p) |
|-----------|-------------|--------------|--------------|-------------|
| SCW12A-05 | 9~18 | 5 | 2400 | 50 |
| SCW12A-12 | 9~18 | 12 | 1000 | 60 |
| SCW12A-15 | 9~18 | 15 | 800 | 60 |
| SCW12B-05 | 18~36 | 5 | 2400 | 50 |
| SCW12B-12 | 18~36 | 12 | 1000 | 60 |
| SCW12B-15 | 18~36 | 15 | 800 | 60 |
| SCW12C-05 | 36~72 | 5 | 2400 | 50 |
| SCW12C-12 | 36~72 | 12 | 1000 | 60 |
| SCW12C-15 | 36~72 | 15 | 800 | 60 |

Dual Output

| Model No. | Input (VDC) | Output (VDC) | Current (mA) | R&N (mVp-p) |
|-----------|-------------|--------------|--------------|-------------|
| DCW12A-05 | 9~18 | ± 5 | ± 1200 | 50 |
| DCW12A-12 | 9~18 | ± 12 | ± 500 | 60 |
| DCW12A-15 | 9~18 | ± 15 | ± 400 | 60 |
| DCW12B-05 | 18~36 | ± 5 | ± 1200 | 50 |
| DCW12B-12 | 18~36 | ± 12 | ± 500 | 60 |
| DCW12B-15 | 18~36 | ± 15 | ± 400 | 60 |
| DCW12C-05 | 36~72 | ± 5 | ± 1200 | 50 |
| DCW12C-12 | 36~72 | ± 12 | ± 500 | 60 |
| DCW12C-15 | 36~72 | ± 15 | ± 400 | 60 |

15W DC-DC Regulated Single Output



1"x 1"x 0.39"

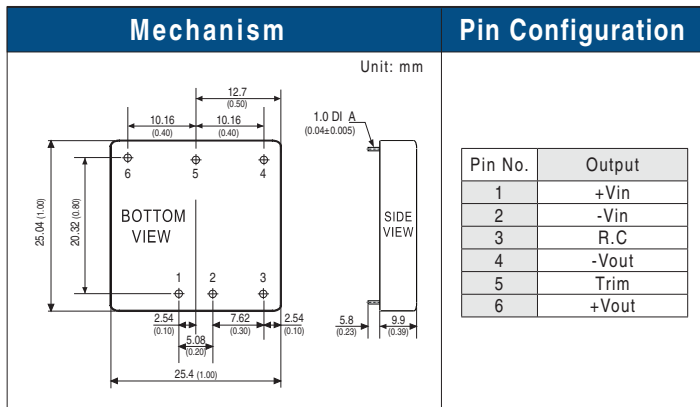
- 1"x1" compact size
- 2:1 wide input range
- 1500VDC I/O isolation
- High efficiency up to 88%
- Built-in remote ON/OFF control
- Built-in EMI filter
- Trimming output ($\pm 10\%$)
- Protections: Short circuit / Overload / Over voltage
- Cooling by free air convection
- 100% full load burn-in test
- Low cost, high reliability
- 2 years warranty

15W DC-DC Regulated Single and Dual Output



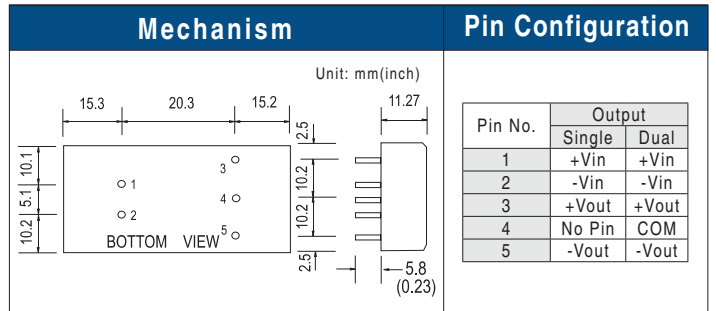
2"x 1"x 0.44"

- 2:1 wide input range
- 4:1 wide input range(option)
- 1000VDC I/O isolation
- 3000VDC I/O isolation (option)
- Built-in EMI filter
- Protection: Short circuit / Overload
- Cooling by free air convection
- Six-sided shield metal case
- 100% full load burn-in test
- Low cost, high reliability
- 2 years warranty



- Voltage set point accuracy ... $\pm 2\%$ (max.)
- Line regulation $\pm 0.5\%$ (max.)
- Load regulation $\pm 0.5\%$ (max.) @ 10%~100% load
- Overload protection 110%~180%, auto-recovery
- Over voltage protection Clamp by TVS diode
- Efficiency 88% (typical)
- I/O isolation voltage 1500VDC(min.)
- I/O isolation resistance 100M Ω (min.) @500VDC
- Working temperature -40~+80°C (refer to output derating curve)
- Storage temperature -55°C to 100°C
- Case Material Six-sided shield metal case
- EMC Compliance to EN55022 class A,
EN61000-4-2,3,4,5,6,8, FCC part15 class A

| Model No. | Input (VDC) | Output (VDC) | Current (A) | R&N (mVp-p) |
|-----------|-------------|--------------|-------------|-------------|
| SKM15A-05 | 9~18 | 5 | 3.00 | 50 |
| SKM15A-12 | 9~18 | 12 | 1.25 | 60 |
| SKM15A-15 | 9~18 | 15 | 1.00 | 60 |
| SKM15B-05 | 18~36 | 5 | 3.00 | 50 |
| SKM15B-12 | 18~36 | 12 | 1.25 | 60 |
| SKM15B-15 | 18~36 | 15 | 1.00 | 60 |
| SKM15C-05 | 36~75 | 5 | 3.00 | 50 |
| SKM15C-12 | 36~75 | 12 | 1.25 | 60 |
| SKM15C-15 | 36~75 | 15 | 1.00 | 60 |



- Voltage set point accuracy ... $\pm 2\%$ (max.)
- Line regulation $\pm 0.2\%$ (max.)
- Load regulation $\pm 0.5\%$ (max.) @ 10~100% load
- Efficiency 82% (typical)
- Short circuit protection Continuous, auto-recovery
- Overload protection 110%~250%, auto-recovery
- I/O isolation voltage 1000VDC (min.)
- I/O isolation resistance 100M Ω (min.) @ 500VDC
- Working temperature -40~+71°C (refer to output derating curve)
- Storage temperature -40°C to +105°C
- Temp. Coefficient $\pm 0.03\%$ / °C (max.)
- Case material Six-sided shield metal case
- EMC Compliance to EN55022 class B,
EN61000-4-2,3,4,5,6,8, FCC part15 class B

Single Output

| Model No. | Input (VDC) | Output (VDC) | Current (mA) | R&N (mVp-p) |
|------------|-------------|--------------|--------------|-------------|
| SKA15A-033 | 9~18 | 3.3 | 3000 | 50 |
| SKA15A-05 | 9~18 | 5 | 3000 | 50 |
| SKA15A-12 | 9~18 | 12 | 1250 | 60 |
| SKA15A-15 | 9~18 | 15 | 1000 | 60 |
| SKA15B-033 | 18~36 | 3.3 | 3000 | 50 |
| SKA15B-05 | 18~36 | 5 | 3000 | 50 |
| SKA15B-12 | 18~36 | 12 | 1250 | 60 |
| SKA15B-15 | 18~36 | 15 | 1000 | 60 |
| SKA15C-033 | 36~72 | 3.3 | 3000 | 50 |
| SKA15C-05 | 36~72 | 5 | 3000 | 50 |
| SKA15C-12 | 36~72 | 12 | 1250 | 60 |
| SKA15C-15 | 36~72 | 15 | 1000 | 60 |

Dual Output

| Model No. | Input (VDC) | Output (VDC) | Current (mA) | R&N (mVp-p) |
|-----------|-------------|--------------|--------------|-------------|
| DKA15A-05 | 9~18 | ± 5 | ± 1500 | 50 |
| DKA15A-12 | 9~18 | ± 12 | ± 625 | 60 |
| DKA15A-15 | 9~18 | ± 15 | ± 500 | 60 |
| DKA15B-05 | 18~36 | ± 5 | ± 1500 | 50 |
| DKA15B-12 | 18~36 | ± 12 | ± 625 | 60 |
| DKA15B-15 | 18~36 | ± 15 | ± 500 | 60 |
| DKA15C-05 | 36~72 | ± 5 | ± 1500 | 50 |
| DKA15C-12 | 36~72 | ± 12 | ± 625 | 60 |
| DKA15C-15 | 36~72 | ± 15 | ± 500 | 60 |



To Satisfy our customers is our goal —

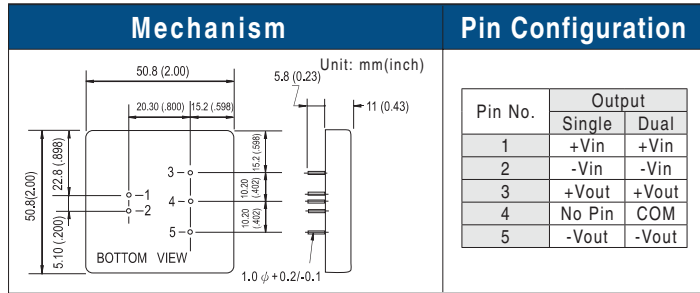
- High Quality
- Low Cost
- Prompt Delivery
- Best Service

15W DC-DC Regulated Single and Dual Output



2"x 2"x 0.43"

- 2:1 wide input range
- 4:1 wide input range(option)
- 1000VDC I/O isolation
- 3000VDC I/O isolation(option)
- Built-in EMI filter
- Protections: Short circuit / Overload
- Cooling by free air convection
- Six-sided shield metal case
- 100% full load burn-in test
- Low cost, high reliability
- 2 years warranty



- Voltage set point accuracy ... $\pm 2\%$ (max.)
 Line regulation $\pm 0.3\%$ (max.)
 Load regulation $\pm 0.5\%$ (max.)@10~100% load
 Efficiency 85% (typical)
 Short circuit protection Continuous, auto-recovery
 Overload protection 160%~250%, auto-recovery
 I/O isolation voltage 1000VDC (min.)
 I/O isolation resistance 100M Ω (min.)@ 500VDC
 Working temperature -25~+71°C (refer to output derating curve)
 Storage temperature -25°C to +105°C
 Temp. Coefficient $\pm 0.03\%$ / °C (max.)
 Case material Six-sided shield metal case
 EMC Compliance to EN55022 class B,
 EN61000-4-2,3,4,5,6,8, FCC part15 class B

Single Output

| Model No. | Input (VDC) | Output (VDC) | Current (mA) | R&N (mVp-p) |
|-----------|-------------|--------------|--------------|-------------|
| SKE15A-05 | 9~18 | 5 | 3000 | 50 |
| SKE15A-12 | 9~18 | 12 | 1250 | 60 |
| SKE15A-15 | 9~18 | 15 | 1000 | 60 |
| SKE15A-24 | 9~18 | 24 | 625 | 80 |
| SKE15B-05 | 18~36 | 5 | 3000 | 50 |
| SKE15B-12 | 18~36 | 12 | 1250 | 60 |
| SKE15B-15 | 18~36 | 15 | 1000 | 60 |
| SKE15B-24 | 18~36 | 24 | 625 | 80 |
| SKE15C-05 | 36~72 | 5 | 3000 | 50 |
| SKE15C-12 | 36~72 | 12 | 1250 | 60 |
| SKE15C-15 | 36~72 | 15 | 1000 | 60 |
| SKE15C-24 | 36~72 | 24 | 625 | 80 |

Dual Output

| Model No. | Input (VDC) | Output (VDC) | Current (mA) | R&N (mVp-p) |
|-----------|-------------|--------------|--------------|-------------|
| DKE15A-05 | 9~18 | ± 5 | ± 1500 | 50 |
| DKE15A-12 | 9~18 | ± 12 | ± 625 | 60 |
| DKE15A-15 | 9~18 | ± 15 | ± 500 | 60 |
| DKE15A-24 | 9~18 | ± 24 | ± 313 | 80 |
| DKE15B-05 | 18~36 | ± 5 | ± 1500 | 50 |
| DKE15B-12 | 18~36 | ± 12 | ± 625 | 60 |
| DKE15B-15 | 18~36 | ± 15 | ± 500 | 60 |
| DKE15B-24 | 18~36 | ± 24 | ± 313 | 80 |
| DKE15C-05 | 36~72 | ± 5 | ± 1500 | 50 |
| DKE15C-12 | 36~72 | ± 12 | ± 625 | 60 |
| DKE15C-15 | 36~72 | ± 15 | ± 500 | 60 |
| DKE15C-24 | 36~72 | ± 24 | ± 313 | 80 |

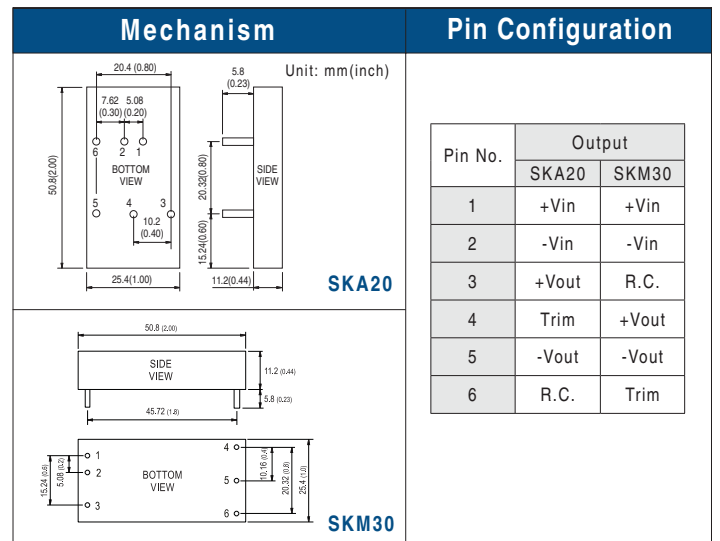
20~30W DC-DC Regulated Single Output



SKA20
2"x 1"x 0.44"

SKM30
2"x 1"x 0.44"

- 2"x 1" compact size
- 2:1 wide input range
- 1500VDC I/O isolation
- Built-in remote ON/OFF control
- Built-in EMI filter
- Trimming output ($\pm 10\%$)
- Protections: Short circuit / Overload / Input and output over voltage
- Cooling by free air convection
- Six-sided shield metal case
- 100% full load burn-in test
- Low cost, high reliability
- 2 years warranty



- Voltage set point accuracy $\pm 2\%$ (max.)
 Line regulation $\pm 0.2\%$ (max.)
 Load regulation $\pm 0.5\%$ (max.)@10~100% load
 Efficiency 89.5% (typical) for SKA20
 90% (typical) for SKM30
 Short circuit protection Continuous, auto-recovery
 Overload protection 110%~180%, auto-recovery
 I/O isolation voltage 1500VDC (min.)
 I/O isolation resistance 100M Ω (min.)@ 500VDC
 Working temperature -40~+85°C (refer to output derating curve) for SKA20
 -40~+75°C (refer to output derating curve) for SKM30
 EMC Compliance to EN55022 class A,
 EN61000-4-2,3,4,5,6,8, FCC part15 class A

SKA20 Series

| Model No. | Input (VDC) | Output (VDC) | Current (mA) | R&N (mVp-p) |
|-----------|-------------|--------------|--------------|-------------|
| SKA20A-05 | 9~18 | 5 | 4000 | 50 |
| SKA20A-12 | 9~18 | 12 | 1666 | 60 |
| SKA20A-15 | 9~18 | 15 | 1333 | 60 |
| SKA20B-05 | 18~36 | 5 | 4000 | 50 |
| SKA20B-12 | 18~36 | 12 | 1666 | 60 |
| SKA20B-15 | 18~36 | 15 | 1333 | 60 |
| SKA20C-05 | 36~75 | 5 | 4000 | 50 |
| SKA20C-12 | 36~75 | 12 | 1666 | 60 |
| SKA20C-15 | 36~75 | 15 | 1333 | 60 |

SKM30 Series

| Model No. | Input (VDC) | Output (VDC) | Current (A) | R&N (mVp-p) |
|-----------|-------------|--------------|-------------|-------------|
| SKM30A-05 | 9~18 | 5 | 6 | 90 |
| SKM30A-12 | 9~18 | 12 | 2.5 | 120 |
| SKM30A-15 | 9~18 | 15 | 2 | 120 |
| SKM30B-05 | 18~36 | 5 | 6 | 90 |
| SKM30B-12 | 18~36 | 12 | 2.5 | 120 |
| SKM30B-15 | 18~36 | 15 | 2 | 120 |
| SKM30C-05 | 36~75 | 5 | 6 | 90 |
| SKM30C-12 | 36~75 | 12 | 2.5 | 120 |
| SKM30C-15 | 36~75 | 15 | 2 | 120 |

30W DC-DC Regulated Single Output



2"x 2"x 0.63"

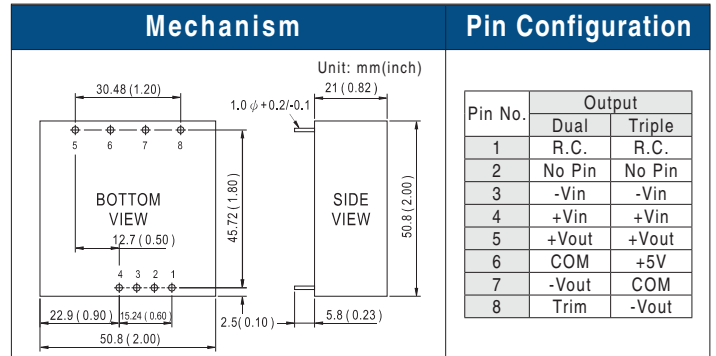
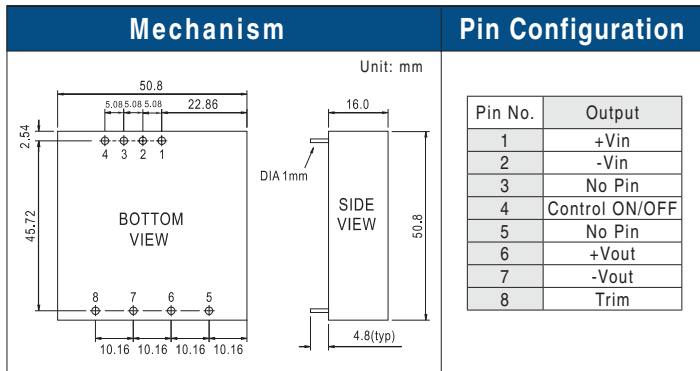
- 2:1 wide input range
- 1000VDC I/O isolation
- Built-in remote ON/OFF control
- Built-in EMI filter
- Trimming output ($\pm 10\%$)
- Protections: Short circuit / Overload / Over voltage
- Cooling by free air convection
- Compact size, high efficiency
- 100% full load burn-in test
- Low cost, high reliability
- 2 years warranty

25~30W DC-DC Regulated Dual and Triple Output



2"x 2"x 0.82"

- 2:1 wide input range
- 4:1 wide input range(option)
- 1000VDC I/O isolation
- Built-in remote ON/OFF control
- Built-in EMI filter
- Trimming output ($\pm 10\%$) for dual output
- Protections: Short circuit / Overload
- Cooling by free air convection
- Six-sided shield metal case
- 100% full load burn-in test
- Low cost, high reliability
- 2 years warranty



- Voltage set point accuracy ... $\pm 2\%$ (max.) ($\pm 3\%$ for 3.3VDC models)
- Line regulation $\pm 1\%$ (max.)
- Load regulation $\pm 1\%$ (max.) @ 10~100% load
- Overload protection Over 105% power limiting, auto-recovery
- Over voltage protection 115%~150% rated output voltage
- Efficiency (typical) 80% for 12V input
83% for 24V input
85% for 48V input
- I/O isolation voltage 1000VDC(min.)
- I/O isolation resistance 100M Ω (min.) @ 500VDC
- Working temperature -25~+85°C (refer to output derating curve)
- Storage temperature -25°C to +85°C
- Case Material Six-sided shield metal case
- EMC Compliance to EN55022 class B,
EN61000-4-2,3,4,6,8
- Packing 0.1kg ; 150pcs / 15.8kg / 0.97CUFT

- Voltage set point accuracy $\pm 2\%$ (max.)
- Line regulation $\pm 0.5\%$ (max.) for dual output;
 $\pm 1\%$ (max.) for triple output
- Load regulation $\pm 0.5\%$ (10~100% load)(Dual)
 $\pm 5\%$ (20~100% load)(Triple)
- Efficiency 83% (typical)
- Short circuit protection Continuous, auto-recovery
- Overload protection 110%~250%, auto-recovery
- I/O isolation voltage 1000VDC (min.)
- I/O isolation resistance 100M Ω (min.) @ 500VDC
- Working temperature -40~+85°C (refer to output derating curve)
- Storage temperature -40°C to +105°C
- Temp. Coefficient $\pm 0.03\%$ / °C (max.)
- Case material Six-sided shield metal case
- EMC Compliance to EN55022 class B,
EN61000-4-2,3,4,5,6,8, FCC part15 class B

♦ Dual Output

| Model No. | Input (VDC) | Output (VDC) | Current (mA) | R&N (mVp-p) |
|-----------|-------------|--------------|--------------|-------------|
| DKA30A-05 | 9~18 | ± 5 | ± 2500 | 100 |
| DKA30A-12 | 9~18 | ± 12 | ± 1250 | 100 |
| DKA30A-15 | 9~18 | 15 | ± 1000 | 100 |
| DKA30B-05 | 18~36 | ± 5 | ± 2500 | 100 |
| DKA30B-12 | 18~36 | ± 12 | ± 1250 | 100 |
| DKA30B-15 | 18~36 | ± 15 | ± 1000 | 100 |
| DKA30C-05 | 36~72 | ± 5 | ± 2500 | 100 |
| DKA30C-12 | 36~72 | ± 12 | ± 1250 | 100 |
| DKA30C-15 | 36~72 | ± 15 | ± 1000 | 100 |

♦ Triple Output

| Model No. | Input (VDC) | Output (VDC) | Current (mA) | R&N (mVp-p) |
|-----------|-------------|---------------|------------------|-------------|
| TKA30A-B | 9~18 | +5 / ± 12 | 3500 / ± 310 | 100 |
| TKA30A-C | 9~18 | +5 / ± 15 | 3500 / ± 250 | 100 |
| TKA30B-B | 18~36 | +5 / ± 12 | 3500 / ± 310 | 100 |
| TKA30B-C | 18~36 | +5 / ± 15 | 3500 / ± 250 | 100 |
| TKA30C-B | 36~72 | +5 / ± 12 | 3500 / ± 310 | 100 |
| TKA30C-C | 36~72 | +5 / ± 15 | 3500 / ± 250 | 100 |

| Model No. | Input (VDC) | Output (VDC) | Current (A) | R&N (mVp-p) |
|-------------|-------------|--------------|-------------|-------------|
| SDM30-12S3 | 9.2~18 | 3.3 | 5.0 | 75 |
| SDM30-12S5 | 9.2~18 | 5 | 5.0 | 75 |
| SDM30-12S12 | 9.2~18 | 12 | 2.1 | 100 |
| SDM30-12S15 | 9.2~18 | 15 | 1.7 | 100 |
| SDM30-24S3 | 18~36 | 3.3 | 5.0 | 75 |
| SDM30-24S5 | 18~36 | 5 | 5.0 | 75 |
| SDM30-24S12 | 18~36 | 12 | 2.5 | 100 |
| SDM30-24S15 | 18~36 | 15 | 2.0 | 100 |
| SDM30-48S3 | 36~72 | 3.3 | 5.0 | 75 |
| SDM30-48S5 | 36~72 | 5 | 5.0 | 75 |
| SDM30-48S12 | 36~72 | 12 | 2.5 | 100 |
| SDM30-48S15 | 36~72 | 15 | 2.0 | 100 |

50W DC-DC Regulated Single Output



2"x 1"x 0.54"

- 2"x1" compact size
- 2:1 wide input range
- 1500VDC I/O isolation
- High efficiency up to 92%
- Built-in remote ON/OFF control
- Built-in EMI filter
- Trimming output ($\pm 10\%$)
- Protections:
 - Short circuit / Overload / Input and output over voltage
- Cooling by free air convection
- Six-sided shield metal case
- 100% full load burn-in test
- Low cost, high reliability
- 2 years warranty

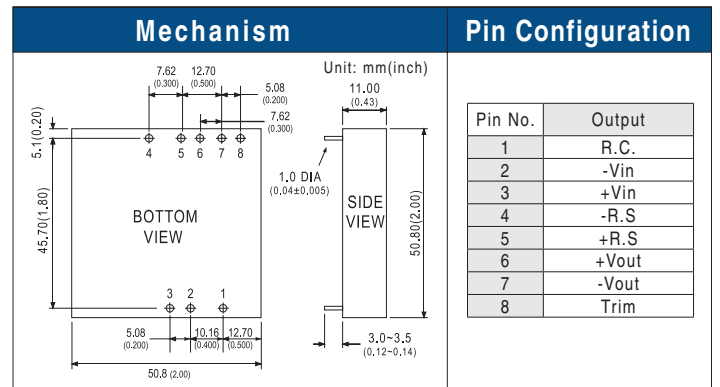
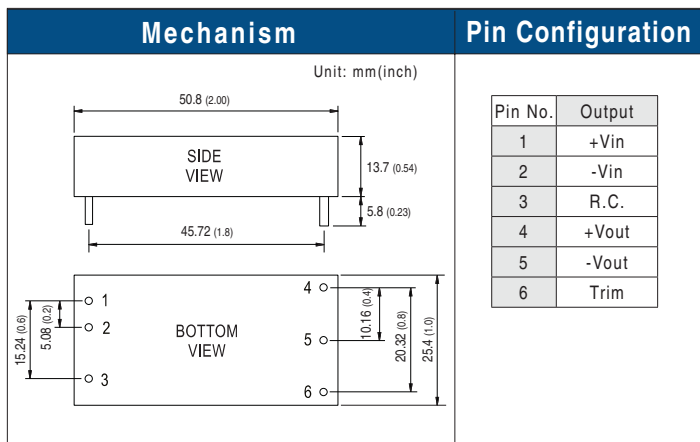
40~60W DC-DC Regulated Single Output



SKA40
2"x 2"x 0.43"

SKA60
2"x 2"x 0.43"

- 2"x2" compact size
- 2:1 wide input range
- 1500VDC I/O isolation
- High efficiency up to 93%
- Built-in remote ON/OFF control
- Built-in remote sense
- Built-in EMI filter
- Trimming output ($\pm 10\%$)
- Protections:
 - Short circuit / Overload / Input and output over voltage
- Cooling by free air convection
- 100% full load burn-in test
- Low cost, high reliability
- Output 3.3V/9V models available for SKA40
- Output 3.3V available for SKA60
- 2 years warranty



- Voltage set point accuracy $\pm 2\%$ (max.)
- Line regulation $\pm 0.2\%$ (max.)
- Load regulation $\pm 0.5\%$ (max.) @ 10~100% load
- Efficiency 92% (typical)
- Short circuit protection Continuous, auto-recovery
- Overload protection 110%~180%, auto-recovery
- I/O isolation voltage 1500VDC (min.)
- I/O isolation resistance 100M Ω (min.)@ 500VDC
- Working temperature -40~+75°C (refer to output derating curve)
- Storage temperature -55°C to +125°C
- Temp. Coefficient $\pm 0.03\%$ / °C (max.)
- Case material Six-sided shield metal case
- EMC Compliance to EN55022 class A, EN61000-4-2,3,4,5,6,8, FCC part15 class A

- Voltage set point accuracy ... $\pm 2\%$ (max.)
- Line regulation $\pm 0.5\%$ (max.)
- Load regulation $\pm 0.5\%$ (max.) @ 10~100% load
- Overload protection 110%~180%, auto-recovery
- Over voltage protection Clamp by TVS diode
- Efficiency (typical)..... 92% for SKA40; 93% for SKA60
- I/O isolation voltage 1500VDC(min.)
- I/O isolation resistance 100M Ω (min.) @500VDC
- Working temperature -40~+80°C(refer to output derating curve) for SKA40
-40~+70°C(refer to output derating curve) for SKA60
- Storage temperature -55°C to +105°C
- Case Material Six-sided shield metal case
- EMC Compliance to EN55022 class A, EN61000-4-2,3,4,5,6,8, FCC part15 class A

| Model No. | Input (VDC) | Output (VDC) | Current (A) | R&N (mVp-p) |
|-----------|-------------|--------------|-------------|-------------|
| SKM50B-05 | 18~36 | 5 | 10 | 60 |
| SKM50B-12 | 18~36 | 12 | 4.17 | 80 |
| SKM50B-15 | 18~36 | 15 | 3.33 | 100 |
| SKM50C-05 | 36~75 | 5 | 10 | 60 |
| SKM50C-12 | 36~75 | 12 | 4.17 | 80 |
| SKM50C-15 | 36~75 | 15 | 3.33 | 100 |

| Model No. | Input (VDC) | Output (VDC) | Current (A) | R&N (mVp-p) |
|-----------|-------------|--------------|-------------|-------------|
| SKA40A-05 | 9~18 | 5 | 7.00 | 60 |
| SKA40A-12 | 9~18 | 12 | 3.33 | 80 |
| SKA40A-15 | 9~18 | 15 | 2.67 | 100 |
| SKA40B-05 | 18~36 | 5 | 7.00 | 60 |
| SKA40B-12 | 18~36 | 12 | 3.33 | 80 |
| SKA40B-15 | 18~36 | 15 | 2.67 | 100 |
| SKA40C-05 | 36~75 | 5 | 7.00 | 60 |
| SKA40C-12 | 36~75 | 12 | 3.33 | 80 |
| SKA40C-15 | 36~75 | 15 | 2.67 | 100 |

| Model No. | Input (VDC) | Output (VDC) | Current (A) | R&N (mVp-p) |
|-----------|-------------|--------------|-------------|-------------|
| SKA60A-05 | 9~18 | 5 | 12 | 60 |
| SKA60A-12 | 9~18 | 12 | 5 | 80 |
| SKA60A-15 | 9~18 | 15 | 4 | 100 |
| SKA60B-05 | 18~36 | 5 | 12 | 60 |
| SKA60B-12 | 18~36 | 12 | 5 | 80 |
| SKA60B-15 | 18~36 | 15 | 4 | 100 |
| SKA60C-05 | 36~75 | 5 | 12 | 60 |
| SKA60C-12 | 36~75 | 12 | 5 | 80 |
| SKA60C-15 | 36~75 | 15 | 4 | 100 |



Customer Satisfaction —
Today's effort, tomorrow's reward. Continuously improve CQTS to satisfy customer is our goal.

75W DC-DC Half-Brick Regulated Single Output



2.28" x 2.4" x 0.5"

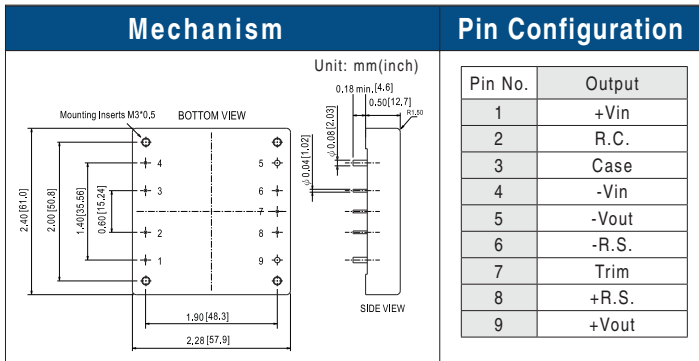
- Half-brick size (2.28"x 2.4"x 0.5") with industry standard pin out
- 2:1 wide input range
- 1500VDC I/O isolation
- High efficiency up to 89%
- Built-in remote ON/OFF control
- Built-in remote sense
- Trimming output ($\pm 10\%$)
- Protections: Short circuit / Over current / Over voltage / Over temperature
- Five-sided shield metal case
- Output 2.5V / 3.3V / 15V available
- Optional heatsink available
- 3 years warranty

100W DC-DC Half-Brick Regulated Single Output

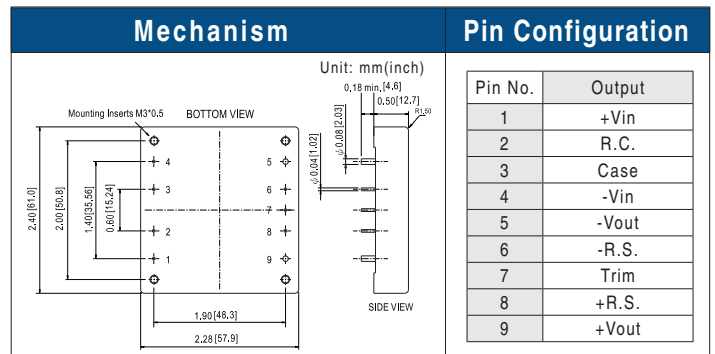


2.28" x 2.4" x 0.5"

- Half-brick size (2.28"x 2.4"x 0.5") with industry standard pin out
- 2:1 wide input range
- 1500VDC I/O isolation
- High efficiency up to 89%
- Built-in remote ON/OFF control
- Built-in remote sense
- Trimming output ($\pm 10\%$)
- Protections: Short circuit / Over current / Over voltage / Over temperature
- Five-sided shield metal case
- Output 2.5V / 3.3V / 15V available
- Optional heatsink available
- 3 years warranty



- Voltage set point accuracy ... $\pm 1\%$ (max.)
 Line regulation $\pm 0.2\%$ (max.)
 Load regulation $\pm 0.2\%$ (max.)
 Over current protection 110%~150%, auto-recovery
 Over voltage protection 115%~140% rated output voltage, clamp by TVS diode
 Over temperature protection 100°C $\pm 5^\circ$ C of case temperature
 Efficiency 89% (typical)
 I/O isolation voltage 1500VDC(min.)
 I/O isolation resistance 100M Ω (min.) @500VDC
 Working temperature -40~+100° C of case temp.(refer to output derating curve)
 Storage temperature -55~+105° C
 Safety standards UL60950-1 approved
 Case Material Five-sided shield metal case
 EMC Compliance to EN55022 class A with external components(refer to "EMC suggestion circuit"), EN61000-4-2,3,4,5,6,8

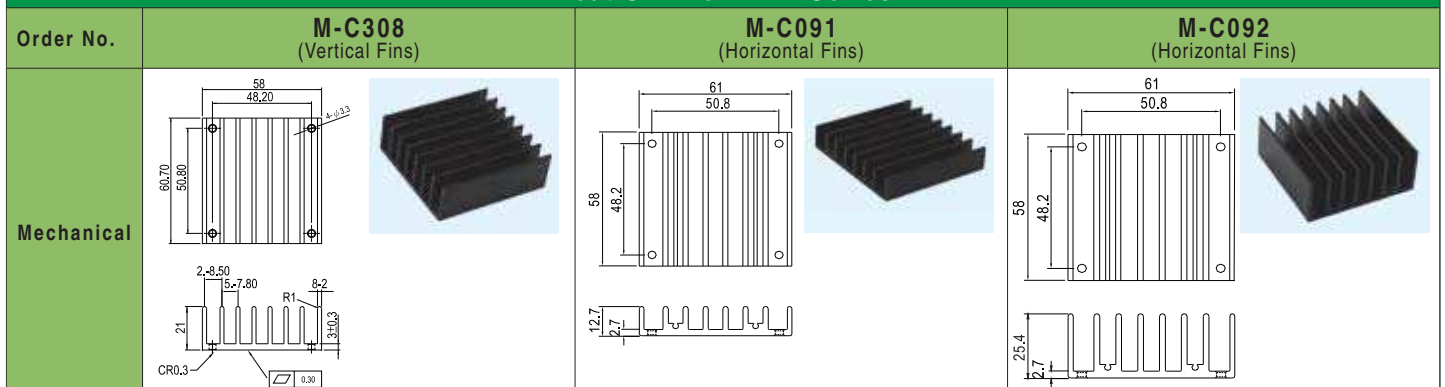


- Voltage set point accuracy ... $\pm 1\%$ (max.)
 Line regulation $\pm 0.2\%$ (max.)
 Load regulation $\pm 0.2\%$ (max.)
 Over current protection 110%~140%, auto-recovery
 Over voltage protection 115%~140% rated output voltage, clamp by TVS diode
 Over temperature protection 100°C $\pm 5^\circ$ C of case temperature
 Efficiency 89% (typical)
 I/O isolation voltage 1500VDC(min.)
 I/O isolation resistance 100M Ω (min.) @500VDC
 Working temperature -40~+100° C of case temp.(refer to output derating curve)
 Storage temperature -55~+105° C
 Safety standards UL60950-1 approved
 Case Material Five-sided shield metal case
 EMC Compliance to EN55022 class A with external components(refer to "EMC suggestion circuit"), EN61000-4-2,3,4,5,6,8

| Model No. | Input (VDC) | Output (VDC) | Current (A) | R&N (mVp-p) |
|-------------|-------------|--------------|-------------|-------------|
| MHB75-12S05 | 9~18 | 5 | 15 | 75 |
| MHB75-12S12 | 9~18 | 12 | 6.25 | 100 |
| MHB75-12S24 | 9~18 | 24 | 3.13 | 240 |
| MHB75-24S05 | 18~36 | 5 | 15 | 75 |
| MHB75-24S12 | 18~36 | 12 | 6.25 | 100 |
| MHB75-24S24 | 18~36 | 24 | 3.13 | 240 |
| MHB75-48S05 | 36~75 | 5 | 15 | 75 |
| MHB75-48S12 | 36~75 | 12 | 6.25 | 100 |
| MHB75-48S24 | 36~75 | 24 | 3.13 | 240 |

| Model No. | Input (VDC) | Output (VDC) | Current (A) | R&N (mVp-p) |
|--------------|-------------|--------------|-------------|-------------|
| MHB100-24S05 | 18~36 | 5 | 20 | 100 |
| MHB100-24S12 | 18~36 | 12 | 8.3 | 150 |
| MHB100-24S24 | 18~36 | 24 | 4.17 | 240 |
| MHB100-48S05 | 36~75 | 5 | 20 | 100 |
| MHB100-48S12 | 36~75 | 12 | 8.3 | 150 |
| MHB100-48S24 | 36~75 | 24 | 4.17 | 240 |

Heat Sink for MHB Series



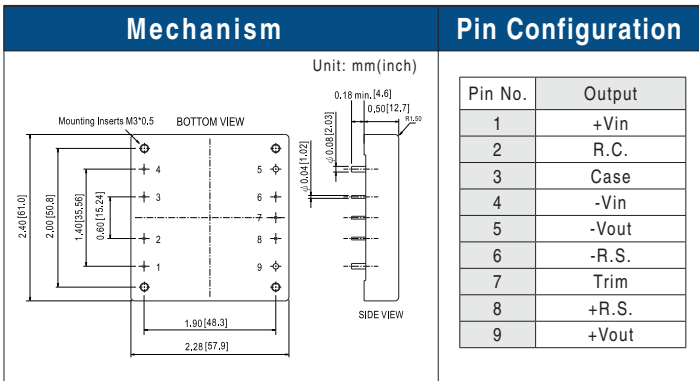
Note: Power module and heat sink should be ordered separately; The heat sinks can be used with MHB75/100/150 series.

150W DC-DC Half-Brick Regulated Single Output



2.28"x 2.4"x 0.5"

- Half-brick size (2.28"x 2.4"x 0.5") with industry standard pin out
- 2:1 wide input range
- 1500VDC I/O isolation
- High efficiency up to 89%
- Built-in remote ON/OFF control
- Built-in remote sense
- Trimming output ($\pm 10\%$)
- Protections: Short circuit / Over current / Over voltage / Over temperature
- Five-sided shield metal case
- Output 2.5V / 3.3V / 15V available
- Optional heatsink available
- 3 years warranty



- Voltage set point accuracy ... $\pm 1\%$ (max.)
- Line regulation $\pm 0.2\%$ (max.)
- Load regulation $\pm 0.2\%$ (max.)
- Over current protection 110%~150%, auto-recovery
- Over voltage protection 115%~140% rated output voltage, clamp by TVS diode
- Over temperature protection $100^{\circ}\text{C} \pm 5^{\circ}\text{C}$ of case temperature
- Efficiency 89% (typical)
- I/O isolation voltage 1500VDC(min.)
- I/O isolation resistance $100\text{M}\Omega$ (min.) @500VDC
- Working temperature $-40 \sim +100^{\circ}\text{C}$ of case temp.(refer to output derating curve)
- Storage temperature $-55 \sim +105^{\circ}\text{C}$
- Safety standards UL60950-1 approved
- Case Material Five-sided shield metal case
- EMC Compliance to EN55022 class A with external components(refer to "EMC suggestion circuit"), EN61000-4-2,3,4,5,6,8

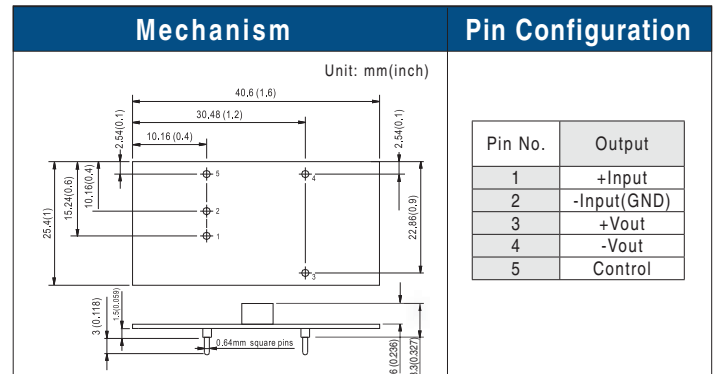
| Model No. | Input (VDC) | Output (VDC) | Current (A) | R&N (mVp-p) |
|--------------|-------------|--------------|-------------|-------------|
| MHB150-48S05 | 36~75 | 5 | 30 | 100 |
| MHB150-48S12 | 36~75 | 12 | 12.5 | 150 |
| MHB150-48S24 | 36~75 | 24 | 6.25 | 240 |

5W DC-DC Regulated Single Output



1.6"x 1"x 0.327"

- 4:1 wide input range
- 1000VDC I/O isolation
- Built-in EMI filter
- Protections: Short circuit / Overload / Over voltage
- Built-in remote ON/OFF control
- Cooling by free air convection
- 100% full load burn-in test
- Low cost, high reliability
- 2 years warranty



- Voltage set point accuracy ... $\pm 2.0\%$ (max.)
- Line regulation $\pm 1.0\%$ (max.)
- Load regulation $\pm 1 \sim \pm 2\%$ (max.)@ 10~100% load
- Efficiency 85% (typical)
- Short circuit protection Continuous, auto-recovery
- Overload protection Over 105% power limiting, auto-recovery
- I/O isolation voltage 1000VDC
- I/O isolation resistance $100\text{M}\Omega$ (min.)@ 500VDC
- Working temperature $-25 \sim +70^{\circ}\text{C}$ (refer to output derating curve)
- Storage temperature $-40 \sim +85^{\circ}\text{C}$
- Temp. Coefficient $\pm 0.03\%$ / $^{\circ}\text{C}$
- Safety standards IEC60950-1 CB approved by TUV
- EMC standards EN55022 class B, EN61000-4-2,3,4,5,6,8
- Packing 0.007kg ; 700pcs / 5.9kg / 0.97CUFT

| Model No. | Input (VDC) | Output (VDC) | Current (mA) | R&N (mVp-p) |
|-------------|-------------|--------------|--------------|-------------|
| NSD05-12S3 | 9.2~36 | 3.3 | 1200 | 75 |
| NSD05-12S5 | 9.2~36 | 5 | 1000 | 75 |
| NSD05-12S12 | 9.2~36 | 12 | 420 | 75 |
| NSD05-12S15 | 9.2~36 | 15 | 330 | 75 |
| NSD05-48S3 | 18~72 | 3.3 | 1200 | 75 |
| NSD05-48S5 | 18~72 | 5 | 1000 | 75 |
| NSD05-48S12 | 18~72 | 12 | 420 | 75 |
| NSD05-48S15 | 18~72 | 15 | 330 | 75 |



Best products also need best service.

We have authorized distributors all over the world. They have sufficient stock for your prompt delivery. Also they can offer you technical support & RMA services. Please contact your local distributors for more product information. You can also contact us at info@meanwell.com for information of your local distributors.



We provide specification, drawing, test report and more information, please visit our website —

<http://www.meanwell.com>



48hrs delivery—

We keep enough stock for 95% of standard models at our 2400m² warehouse. We can arrange prompt delivery within 48hrs.

10W DC-DC Regulated Single and Dual Output

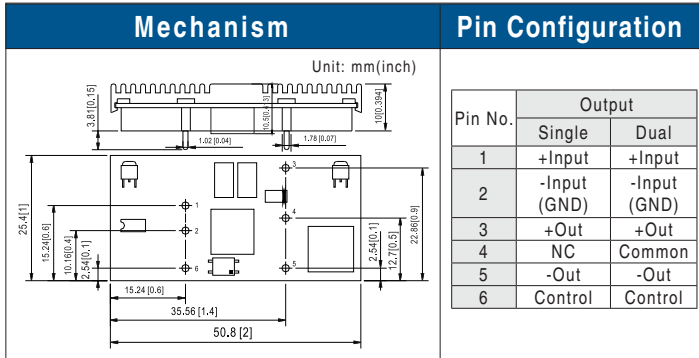


- 4:1 wide input range
- 1000VDC I/O isolation
- Protections: Short circuit / Overload / Over voltage
- Built-in EMI filter
- Built-in remote ON/OFF control
- Cooling by free air convection
- 100% full load burn-in test
- Low cost, high reliability
- 2 years warranty

15W DC-DC Regulated Single and Dual Output



- 4:1 wide input range
- 1500VDC I/O isolation
- Protections: Short circuit / Overload / Over voltage
- Built-in EMI filter
- Output voltage trimming function
- Built-in remote ON/OFF control
- Cooling by free air convection
- 100% full load burn-in test
- Low cost, high reliability
- 2 years warranty



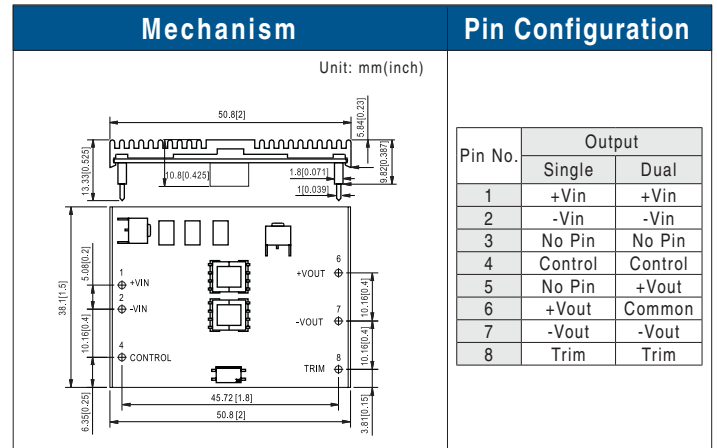
- Voltage set point accuracy $\pm 2\%$ (max.)
- Line regulation $\pm 1\%$ @ 10~100% load
- Load regulation $\pm 1\sim\pm 3\%$ @ 10~100% load
- Efficiency 80% (typical)
- Short circuit protection Continuous, auto-recovery
- Over voltage protection Clamp@115~150%
- Shutdown idle current 20mA
- I/O isolation voltage 1000VDC
- I/O isolation resistance 100M Ω (min.) @500VDC
- Working temperature -25~+70°C
- Storage temperature -40~+85°C
- Temp. coefficient $\pm 0.03\%$ / °C
- Safety standards UL60950-1 approved
- EMC standards EN55022 class B, EN61000-4-2,3,4,6,8
- Packing 0.02kg ; 300pcs / 7.0kg / 0.97CUFT

◆ Single Output

| Model No. | Input (VDC) | Output (VDC) | Current (mA) | R&N (mVp-p) |
|-------------|-------------|--------------|--------------|-------------|
| NSD10-12S3 | 9.8~36 | 3.3 | 2500 | 75 |
| NSD10-12S5 | 9.8~36 | 5 | 2000 | 75 |
| NSD10-12S9 | 9.8~36 | 9 | 1100 | 75 |
| NSD10-12S12 | 9.8~36 | 12 | 830 | 75 |
| NSD10-12S15 | 9.8~36 | 15 | 670 | 75 |
| NSD10-48S3 | 22~72 | 3.3 | 2500 | 75 |
| NSD10-48S5 | 22~72 | 5 | 2000 | 75 |
| NSD10-48S9 | 22~72 | 9 | 1100 | 75 |
| NSD10-48S12 | 22~72 | 12 | 830 | 75 |
| NSD10-48S15 | 22~72 | 15 | 670 | 75 |

◆ Dual Output

| Model No. | Input (VDC) | Output (VDC) | Current (mA) | R&N (mVp-p) |
|-------------|-------------|--------------|-------------------|-------------|
| NSD10-12D5 | 9.8~36 | ± 5 | $\pm 50\sim 1000$ | 75 |
| NSD10-12D12 | 9.8~36 | ± 12 | $\pm 20\sim 420$ | 75 |
| NSD10-12D15 | 9.8~36 | ± 15 | $\pm 16\sim 330$ | 75 |
| NSD10-48D5 | 22~72 | ± 5 | $\pm 50\sim 1000$ | 75 |
| NSD10-48D12 | 22~72 | ± 12 | $\pm 20\sim 420$ | 75 |
| NSD10-48D15 | 22~72 | ± 15 | $\pm 16\sim 330$ | 75 |



- Voltage set point accuracy $\pm 2\%$ (max.)
- Line regulation $\pm 1\%$ @ 10~100% load
- Load regulation $\pm 1\sim\pm 3\%$ @ 10~100% load
- Efficiency 85% (typical)
- Short circuit protection Continuous, auto-recovery
- Over voltage protection Clamp@115~150%
- Shutdown idle current 20mA
- I/O isolation voltage 1500VDC
- I/O isolation resistance 100M Ω (min.) @500VDC
- Working temperature -25~+70°C
- Storage temperature -40~+85°C
- Temp. coefficient $\pm 0.03\%$ / °C
- Safety standards UL60950-1 approved
- EMC standards EN55022 class B, EN61000-4-2,3,4,6,8
- Packing 0.03kg ; 180pcs / 6.4kg / 0.97CUFT

◆ Single Output

| Model No. | Input (VDC) | Output (VDC) | Current (mA) | R&N (mVp-p) |
|-------------|-------------|--------------|--------------|-------------|
| NSD15-12S3 | 9.4~36 | 3.3 | 3750 | 100 |
| NSD15-12S5 | 9.4~36 | 5 | 3000 | 75 |
| NSD15-12S12 | 9.4~36 | 12 | 1250 | 75 |
| NSD15-12S15 | 9.4~36 | 15 | 1000 | 75 |
| NSD15-48S3 | 18~72 | 3.3 | 3750 | 100 |
| NSD15-48S5 | 18~72 | 5 | 3000 | 75 |
| NSD15-48S12 | 18~72 | 12 | 1250 | 75 |
| NSD15-48S15 | 18~72 | 15 | 1000 | 75 |

◆ Dual Output

| Model No. | Input (VDC) | Output (VDC) | Current (mA) | R&N (mVp-p) |
|-------------|-------------|--------------|-------------------|-------------|
| NSD15-12D5 | 9.4~36 | ± 5 | $\pm 70\sim 1500$ | 100 |
| NSD15-12D12 | 9.4~36 | ± 12 | $\pm 30\sim 620$ | 100 |
| NSD15-12D15 | 9.4~36 | ± 15 | $\pm 20\sim 500$ | 100 |
| NSD15-48D5 | 18~72 | ± 5 | $\pm 70\sim 1500$ | 100 |
| NSD15-48D12 | 18~72 | ± 12 | $\pm 30\sim 620$ | 100 |
| NSD15-48D15 | 18~72 | ± 15 | $\pm 20\sim 500$ | 100 |

30W Single Output DC-DC Converter



101.6x 50.8x 30 mm

- 2:1 wide input range
- Protections: Short circuit / Overload / Over voltage / Reverse polarity
- 1500VAC I/O isolation
- Cooling by free air convection
- Built-in EMI filter, low ripple noise
- 100% full load burn-in test
- Low cost, high reliability
- 2 years warranty

DC adjustment range 5V: 4.5~5.5V, 12V: 11~13.5V, 24V: 22~26V

Line and load regulation .. ±1% (max.)

Overload protection 105%~150% hiccup mode, auto-recovery

Over voltage protection ... 115%~150% rated output voltage

Withstand voltage I/P-O/P: 1.5kVAC, I/P-FG: 1.5kVAC, 1 minute

Working temperature -20~+60°C (refer to output derating curve)

EMC standards EN55022 class B, EN61000-4-2,3,4,6,8, EN55024

Connection 3P, 4P / 3.96mm pitch, JST B3P/B4P-VH-B

| Model No. | Input | Output | R&N | Effi. |
|------------|--------|--------------|-------|-------|
| PSD-30A-05 | 9~18V | 5V, 0~5.0A | 100mV | 77% |
| PSD-30A-12 | 9~18V | 12V, 0~2.5A | 120mV | 77% |
| PSD-30A-24 | 9~18V | 24V, 0~1.25A | 150mV | 78% |
| PSD-30B-05 | 18~36V | 5V, 0~5.0A | 100mV | 79% |
| PSD-30B-12 | 18~36V | 12V, 0~2.5A | 120mV | 80% |
| PSD-30B-24 | 18~36V | 24V, 0~1.25A | 150mV | 83% |
| PSD-30C-05 | 36~72V | 5V, 0~5.0A | 100mV | 80% |
| PSD-30C-12 | 36~72V | 12V, 0~2.5A | 120mV | 82% |
| PSD-30C-24 | 36~72V | 24V, 0~1.25A | 150mV | 83% |

45W Single Output DC-DC Converter



127x 76x 30 mm

- 2:1 wide input range
- Protections: Short circuit / Overload / Over voltage / Reverse polarity
- Cooling by free air convection
- Built-in EMI filter, low ripple noise
- 100% full load burn-in test
- Fixed switching frequency at 96kHz
- Low cost
- 2 years warranty

DC adjustment range 5V: 4.5~5.5V, 12V: 10.8~13.2V,

24V: 21.6~26.4V

Line and load regulation ±1% (max.)

Overload protection 105%~160% shut down, re-power on to recover

Over voltage protection 115%~135% rated output voltage

Withstand voltage I/P-O/P: 1.5kVAC, I/P-FG: 1.5kVAC, 1 minute

Working temperature -10~+60°C (refer to output derating curve)

Safety standards EN60950-1 CB approved by TUV

EMC standards EN55022 class B, EN61000-4-2,3,4,6,8, EN55024

Connection 2P, 6P / 3.96mm pitch, Molex 5277-02, 5273-06

Packing 0.19kg ; 72pcs / 15.6kg / 1.35CUFT

| Model No. | Input | Output | R&N | Effi. |
|------------|---------|---------------|-------|-------|
| PSD-45A-05 | 9.2~18V | 5V, 0~6.0A | 100mV | 74% |
| PSD-45A-12 | 9.2~18V | 12V, 0~2.5A | 120mV | 78% |
| PSD-45A-24 | 9.2~18V | 24V, 0~1.25A | 150mV | 79% |
| PSD-45B-05 | 18~36V | 5V, 0~9.0A | 100mV | 77% |
| PSD-45B-12 | 18~36V | 12V, 0~3.75A | 120mV | 82% |
| PSD-45B-24 | 18~36V | 24V, 0~1.875A | 150mV | 85% |
| PSD-45C-05 | 37~72V | 5V, 0~9.0A | 100mV | 80% |
| PSD-45C-12 | 37~72V | 12V, 0~3.75A | 120mV | 83% |
| PSD-45C-24 | 37~72V | 24V, 0~1.875A | 150mV | 86% |

15W Single Output DC-DC Converter



CASE: 931A

78x 51x 28 mm

- 2:1 wide input range
- 2000VAC I/O isolation
- Cooling by free air convection
- Protections: Short circuit / Over load / Over voltage
- Built-in EMI filter, low ripple noise
- 100% full load burn-in test
- Low cost, high reliability
- 2 years warranty

DC adjustment range 5V: 4.75~5.5V, 12V: 10.8~13.2V,

24V: 21.6~26.4V

Line and load regulation ±0.5% (max.)

Overload protection 105%~160% hiccup mode, auto-recovery

Over voltage protection 115%~135% rated output voltage

Withstand voltage I/P-O/P: 2kVAC, I/P-FG: 1.5kVAC, 1 minute

Working temperature -10~+60°C (refer to output derating curve)

Safety standard Meet LVD

EMC standards EN55022 class B, EN61000-4-2,3,4,6,8

Packing 0.18kg ; 60pcs / 11.8kg

| Model No. | Input | Output | R&N | Effi. |
|-----------|---------|---------------|-------|-------|
| SD-15A-5 | 9.2~18V | 5V, 0~3.0A | 100mV | 68% |
| SD-15A-12 | 9.2~18V | 12V, 0~1.25A | 120mV | 72% |
| SD-15A-24 | 9.2~18V | 24V, 0~0.625A | 150mV | 70% |
| SD-15B-5 | 18~36V | 5V, 0~3.0A | 100mV | 76% |
| SD-15B-12 | 18~36V | 12V, 0~1.25A | 120mV | 76% |
| SD-15B-24 | 18~36V | 24V, 0~0.625A | 150mV | 77% |
| SD-15C-5 | 36~72V | 5V, 0~3.0A | 100mV | 75% |
| SD-15C-12 | 36~72V | 12V, 0~1.25A | 120mV | 79% |
| SD-15C-24 | 36~72V | 24V, 0~0.625A | 150mV | 78% |

25W Single Output DC-DC Converter



CASE: 905

99x 97x 36 mm

- 2:1 wide input range
- 1500VAC I/O isolation
- Protections: Short circuit / Overload / Over voltage
- Built-in EMI filter, low ripple noise
- 100% full load burn-in test
- Low cost, high reliability
- 2 years warranty

DC adjustment range 5V: 4.5~5.5V, 12V: 11~16V, 24V: 23~30V

Line and load regulation ±0.5% (max.)

Overload protection 105%~150% hiccup mode, auto-recovery

Over voltage protection 115%~165% rated output voltage

Withstand voltage I/P-O/P: 2kVAC, I/P-FG: 1.5kVAC, 1 minute

Isolation resistance 100MΩ (min.) @500VDC

Working temperature -10~+60°C (refer to output derating curve)

Safety standards Meet LVD

EMC standards EN55022 class B, EN61000-4-2,3,4,6,8

Packing 0.38kg ; 45pcs / 17.8kg / 0.9CUFT

| Model No. | Input | Output | R&N | Effi. |
|-----------|---------|-------------|-------|-------|
| SD-25A-5 | 9.2~18V | 5V, 0~5.0A | 100mV | 71% |
| SD-25A-12 | 9.2~18V | 12V, 0~2.1A | 120mV | 72% |
| SD-25A-24 | 9.2~18V | 24V, 0~1.1A | 150mV | 75% |
| SD-25B-5 | 19~36V | 5V, 0~5.0A | 100mV | 72% |
| SD-25B-12 | 19~36V | 12V, 0~2.1A | 120mV | 75% |
| SD-25B-24 | 19~36V | 24V, 0~1.1A | 150mV | 78% |
| SD-25C-5 | 36~72V | 5V, 0~5.0A | 100mV | 74% |
| SD-25C-12 | 36~72V | 12V, 0~2.1A | 120mV | 78% |
| SD-25C-24 | 36~72V | 24V, 0~1.1A | 150mV | 81% |

50W Single Output DC-DC Converter



CASE: 901 159x 97x 38 mm

- 2:1 wide input range
- 1500VAC I/O isolation
- Protections: Short circuit / Over load / Over voltage
- Built-in EMI filter, low ripple noise
- Cooling by free air convection
- 100% full load burn-in test
- Low cost, high reliability
- 2 years warranty

DC adjustment range 5V: 4.5~5.5V, 12V: 11~16V, 24V: 23~30V
 Line and load regulation ±0.5% (max.)
 Overload protection 105%~150% hiccup mode, auto-recovery
 Over voltage protection 115%~165% rated output voltage
 Withstand voltage I/P-O/P: 1.5kVAC, I/P-FG: 1.5kVAC, 1 minute
 Isolation resistance 100MΩ (min.) @500VDC
 Working temperature -10~+60°C (refer to output derating curve)
 Safety standard Meet LVD
 EMC standards EN55022 class B, EN61000-4-2,3,4,6,8
 Packing 0.53kg ; 24pcs / 12.7kg / 0.75CUFT

| Model No. | Input | Output | R&N | Effi. |
|-----------|---------|-------------|-------|-------|
| SD-50A-5 | 9.2~18V | 5V, 0~10A | 100mV | 70% |
| SD-50A-12 | 9.2~18V | 12V, 0~4.2A | 120mV | 72% |
| SD-50A-24 | 9.2~18V | 24V, 0~2.1A | 150mV | 74% |
| SD-50B-5 | 19~36V | 5V, 0~10A | 100mV | 73% |
| SD-50B-12 | 19~36V | 12V, 0~4.2A | 120mV | 75% |
| SD-50B-24 | 19~36V | 24V, 0~2.1A | 150mV | 80% |
| SD-50C-5 | 36~72V | 5V, 0~10A | 100mV | 76% |
| SD-50C-12 | 36~72V | 12V, 0~4.2A | 120mV | 78% |
| SD-50C-24 | 36~72V | 24V, 0~2.1A | 150mV | 83% |

150W Single Output DC-DC Converter



CASE: 906 199x 110x 50 mm

- 2:1 wide input range
- 1500VAC I/O isolation
- Protections: Short circuit / Over load / Over voltage
- Built-in EMI filter, low ripple noise
- Cooling by free air convection
- 100% full load burn-in test
- Low cost, high reliability
- 2 years warranty

DC adjustment range 12V: 11~16V, 24V: 23~30V
 Line regulation ±0.5% (max.)
 Load regulation ±0.5% (max.)
 Overload protection 105%~135% hiccup mode, auto-recovery
 Over voltage protection 130%~165% rated output voltage
 Withstand voltage I/P-O/P: 1.5kVAC, I/P-FG: 1.5kVAC, 1 minute
 Isolation resistance 100MΩ (min.) @500VDC
 Working temperature -10~+60°C (refer to output derating curve)
 Safety standards Meet LVD, EN60950-1 CB approved by TUV (D type only)
 EMC standards EN55022 class B, EN61000-4-2,3,4,6,8
 Packing 0.86kg ; 16pcs / 14.5kg / 0.95CUFT

| Model No. | Input | Output | R&N | Effi. |
|------------|---------|--------------|-------|-------|
| SD-150B-12 | 19~36V | 12V, 0~12.5A | 120mV | 75% |
| SD-150B-24 | 19~36V | 24V, 0~6.3A | 150mV | 77% |
| SD-150C-12 | 36~72V | 12V, 0~12.5A | 120mV | 77% |
| SD-150C-24 | 36~72V | 24V, 0~6.3A | 150mV | 80% |
| SD-150D-12 | 72~144V | 12V, 0~12.5A | 120mV | 79% |
| SD-150D-24 | 72~144V | 24V, 0~6.3A | 150mV | 82% |

100W Single Output DC-DC Converter



CASE: 902 199x 98x 38 mm

- 2:1 wide input range
- 1500VAC I/O isolation
- Protections: Short circuit / Overload / Over voltage
- Built-in EMI filter, low ripple noise
- 100% full load burn-in test
- Low cost, high reliability
- 2 years warranty

DC adjustment range 5V: 4.5~5.5V, 12V: 11~16V, 24V: 23~30V
 Line regulation ±0.5% (max.)
 Load regulation ±0.5% (max.)
 Overload protection 105%~135% hiccup mode, auto-recovery
 Over voltage protection 115%~165% rated output voltage
 Withstand voltage I/P-O/P: 1.5kVAC, I/P-FG: 1.5kVAC, 1 minute
 Isolation resistance 100MΩ (min.) @500VDC
 Working temperature -10~+60°C (refer to output derating curve)
 Safety standards Meet LVD, EN60950-1 CB approved by TUV (D type only)
 EMC standards EN55022 class B, EN61000-4-2,3,4,6,8
 Packing 0.65kg ; 20pcs / 13.8kg / 0.8CUFT

| Model No. | Input | Output | R&N | Effi. |
|------------|---------|-------------|-------|-------|
| SD-100B-5 | 19~36V | 5V, 0~20A | 100mV | 74% |
| SD-100B-12 | 19~36V | 12V, 0~8.5A | 120mV | 75% |
| SD-100B-24 | 19~36V | 24V, 0~4.2A | 150mV | 78% |
| SD-100C-5 | 36~72V | 5V, 0~20A | 100mV | 75% |
| SD-100C-12 | 36~72V | 12V, 0~8.5A | 120mV | 77% |
| SD-100C-24 | 36~72V | 24V, 0~4.2A | 150mV | 81% |
| SD-100D-5 | 72~144V | 5V, 0~20A | 100mV | 76% |
| SD-100D-12 | 72~144V | 12V, 0~8.5A | 120mV | 80% |
| SD-100D-24 | 72~144V | 24V, 0~4.2A | 150mV | 83% |

200W Single Output DC-DC Converter



CASE: 912H 215x 115x 50 mm

- 2:1 wide input range
- 1500VAC I/O isolation
- Protections: Short circuit / Overload / Over voltage / Over temp.
- Cooling by free air convection
- 100% full load burn-in test
- 2 years warranty

DC adjustment range 5V: 4.5~5.5V, 12V: 11~16V, 24V: 23~30V, 48V: 43~53V
 Voltage tolerance ±2% (max.)
 Overload protection 105%~135% shut off, re-power on to recover
 Over voltage protection 110%~167% rated output voltage
 Withstand voltage I/P-O/P: 1.5kVAC, I/P-FG: 2kVAC, 1 minute
 Working temperature -20~+60°C (refer to output derating curve)
 Safety standards Meet LVD, EN60950-1 CB approved by TUV (D type only)
 EMC standards EN55022 class B, EN61000-4-2,3,4,6,8
 Packing 1.1kg ; 12pcs / 14.4kg / 0.92CUFT

| Model No. | Input | Output | R&N | Effi. |
|------------|---------|--------------|-------|-------|
| SD-200B-5 | 19~36V | 5V, 0~34.0A | 100mV | 79% |
| SD-200B-12 | 19~36V | 12V, 0~16.7A | 120mV | 82% |
| SD-200B-24 | 19~36V | 24V, 0~8.40A | 150mV | 85% |
| SD-200B-48 | 19~36V | 48V, 0~4.20A | 200mV | 86% |
| SD-200C-5 | 36~72V | 5V, 0~40.0A | 100mV | 81% |
| SD-200C-12 | 36~72V | 12V, 0~16.7A | 120mV | 84% |
| SD-200C-24 | 36~72V | 24V, 0~8.40A | 150mV | 86% |
| SD-200C-48 | 36~72V | 48V, 0~4.20A | 200mV | 86% |
| SD-200D-5 | 72~144V | 5V, 0~40.0A | 100mV | 82% |
| SD-200D-12 | 72~144V | 12V, 0~16.7A | 120mV | 82% |
| SD-200D-24 | 72~144V | 24V, 0~8.40A | 150mV | 84% |
| SD-200D-48 | 72~144V | 48V, 0~4.20A | 200mV | 90% |

350W Single Output DC-DC Converter

CBCCE
(D type)



CASE: 912B 215x 115x 50 mm

- 2:1 wide input range
- 1500VAC I/O isolation
- Protections: Short circuit / Over load / Over voltage / Over temp.
- Forced air cooling by built-in DC fan
- 100% full load burn-in test
- 2 years warranty

DC adjustment range 5V: 4.5~5.5V, 12V: 11~16V, 24V: 23~30V, 48V: 43~53V

Voltage tolerance ±2% (max.)

Overload protection 105%~135% shut off, re-power on to recover

Over voltage protection .. 110%~167% rated output voltage

Withstand voltage I/P-O/P: 1.5kVAC, I/P-FG: 2kVAC, 1 minute

Working temperature -20~+60°C (refer to output derating curve)

Safety standards Meet LVD, EN60950-1 CB approved by TUV (D type only)

EMC standards EN55022 class B, EN61000-4-2,3,4,6,8

Packing 1.1kg ; 12pcs / 14.4kg / 0.92CUFT

| Model No. | Input | Output | R&N | Effi. |
|------------|---------|--------------|-------|-------|
| SD-350B-5 | 19~36V | 5V, 0~57.0A | 100mV | 74% |
| SD-350B-12 | 19~36V | 12V, 0~27.5A | 120mV | 80% |
| SD-350B-24 | 19~36V | 24V, 0~14.6A | 150mV | 80% |
| SD-350B-48 | 19~36V | 48V, 0~7.30A | 200mV | 84% |
| SD-350C-5 | 36~72V | 5V, 0~60.0A | 100mV | 76% |
| SD-350C-12 | 36~72V | 12V, 0~27.5A | 120mV | 81% |
| SD-350C-24 | 36~72V | 24V, 0~14.6A | 150mV | 81% |
| SD-350C-48 | 36~72V | 48V, 0~7.30A | 200mV | 82% |
| SD-350D-5 | 72~144V | 5V, 0~60.0A | 100mV | 78% |
| SD-350D-12 | 72~144V | 12V, 0~29.2A | 120mV | 83% |
| SD-350D-24 | 72~144V | 24V, 0~14.6A | 150mV | 87% |
| SD-350D-48 | 72~144V | 48V, 0~7.30A | 200mV | 89% |

500W Single Output DC-DC Converter

CBCCE



CASE: 912A 215x 115x 50 mm

- 4:1 & 2:1 DC input range
- DC input active surge current limiting
- Protections: Short circuit / Overload / Over voltage / Over temp. / Input polarity
- 2000VAC I/O Isolation
- Forced air cooling by built-in DC fan with fan speed control function
- Output OK signal
- Built-in remote ON/OFF control
- Built-in remote sense function
- 3 years warranty

DC adjustment range 12V: 11~15V, 24V: 23~30V, 48V: 46~60V

Line regulation ±0.5% (max.)

Load regulation ±0.5% (max.)

Overload protection 105%~125% constant current limiting, shut off after 5 sec., re-power on to recover

Over voltage protection 130%~160% rated output voltage

Withstand voltage I/P-O/P: 2kV, I/P-FG: 2kV, 1 minute

Isolation resistance 100MΩ (min.) @500VDC

Working temperature -20~+60°C (refer to output derating curve)

Safety standards IEC60950-1 CB approved by TUV

EMC standards EN55022 class B, EN61000-4-2,3,4,6,8

Packing 1.15kg ; 12pcs / 14.8kg / 0.92CUFT

| Model No. | Input | Output | R&N | Effi. |
|------------|---------|--------------|-------|-------|
| SD-500L-12 | 19~72V | 12V, 0~40A | 150mV | 86% |
| SD-500L-24 | 19~72V | 24V, 0~21A | 150mV | 88% |
| SD-500L-48 | 19~72V | 48V, 0~10.5A | 150mV | 89% |
| SD-500H-12 | 72~144V | 12V, 0~40A | 150mV | 87% |
| SD-500H-24 | 72~144V | 24V, 0~21A | 150mV | 89% |
| SD-500H-48 | 72~144V | 48V, 0~10.5A | 150mV | 90% |

1000W Single Output DC-DC Converter

CBCCE



CASE: 952B 295x 127x 41 mm

- 4:1 & 2:1 wide input range
- 2000VAC I/O Isolation
- Protections: Short circuit / Overload / Over voltage / Over temp.
- Forced air cooling by built-in DC fan
- High power density 10.7W/inch³
- 1U low profile 41mm
- Output OK signal
- 12V / 0.25A auxiliary output
- Built-in remote ON/OFF control
- Built-in remote sense function
- 3 years warranty

DC adjustment range 12V: 11~15V, 24V: 23~30V, 48V: 46~60V

Line regulation ±0.5% (max.)

Load regulation ±0.5% (max.)

Overload protection 105%~125% constant current limiting, shut off after 5 sec., re-power on to recover

Over voltage protection 130%~160% rated output voltage

Withstand voltage I/P-O/P: 2kV, I/P-FG: 1.5kV, 1 minute

Isolation resistance 100MΩ (min.) @500VDC

Working temperature -20~+60°C (refer to output derating curve)

Safety standards IEC60950-1 CB approved by TUV

EMC standards EN55022 class B, EN61000-4-2,3,4,6,8

Packing 1.94kg ; 6pcs / 12.6kg / 0.99CUFT

| Model No. | Input | Output | R&N | Effi. |
|-------------|---------|------------|-------|-------|
| SD-1000L-12 | 19~72V | 12V, 0~60A | 150mV | 84% |
| SD-1000L-24 | 19~72V | 24V, 0~40A | 150mV | 88% |
| SD-1000L-48 | 19~72V | 48V, 0~21A | 150mV | 90% |
| SD-1000H-12 | 72~144V | 12V, 0~60A | 150mV | 85% |
| SD-1000H-24 | 72~144V | 24V, 0~40A | 150mV | 89% |
| SD-1000H-48 | 72~144V | 48V, 0~21A | 150mV | 92% |

Under Development

IRM-60 Series

60W AC/DC Miniature Encapsulated Type



- Universal AC input / Full range
- Miniature size, high power density
- No load power consumption < 0.1W
- High efficiency up to 90%
- Isolation Class II
- Withstand 5G vibration test
- Fully isolated plastic case
- Protection: Short circuit / Overload / Over voltage
- Cooling by free air convection
- Design refer to UL60950-1, TUV EN60950-1
- Optional screw terminal I/O connection models
- Output models: 5V / 12V / 15V / 24V / 48V
- Dimension(LxWxH): 87x 52x 29.5mm
- 3 years warranty

DC/DC Converter 100~300W Railway Single Output



Features

- Compliance to EN50155 and EN45545-2 railway standard
- 2:1 wide input range
- 4000VDC I/O isolation
- Protections:
 - Short circuit / Overload / Over voltage / Input reverse polarity / Over temp.(RSD-150/200/300)
- Cooling by free air convection
- Built-in constant current limiting circuit
- 1U low profile
- All using 105°C long life electrolytic capacitors
- Half encapsulated
- 100% full load burn-in test
- 3 years warranty

General Specification (Please refer to www.meanwell.com for detail spec.)



| Model No. | RSD-100 | RSD-150 | RSD-200 | RSD-300 |
|-------------------------|--|--|----------------|----------------|
| Line regulation (max.) | ±0.5% | | | |
| Load regulation (max.) | ±1% | | | |
| Overload protection | Range | 105%~135% | | |
| | Type | Constant current limiting, recovers automatically after fault condition is removed | | |
| Over voltage protection | 115%~135% Shut down O/P voltage, re-power on to recover | | | 115%~140% |
| Withstand voltage | I/P-O/P: 4kVDC, I/P-FG: 2.5kVDC, O/P-FG: 2.5kVDC, 1 minute | | | |
| Isolation resistance | 100MΩ(min.) @500VDC | | | |
| Working temperature | -40~+70°C (refer to output derating curve) | | | |
| Safety standards | Meet IEC60950-1(LVD) | | | |
| EMC standards | EN55022 class B, EN50121-3-2, EN61000-4-2,3,4,5,6,8 | | | |
| Railway standard | EN50155 / IEC60571; EN45545-2 | | | |
| Dimension (LxWxH)(mm) | 161x68x36 | 189x77x36 | 191x86x40 | 216x97x40 |
| Packing | 24pcs / 15.4kg | 15pcs / 13kg | 12pcs / 12.3kg | 12pcs / 15.3kg |

100W RSD-100

| Model No. | Input (1 sec / continuous) | Output | R&N | Effi. |
|-------------|----------------------------|-------------|-------|-------|
| RSD-100B-5 | 14.4~33.6V / 16.8~31.2V | 5V, 0~20A | 100mV | 88.0% |
| RSD-100B-12 | 14.4~33.6V / 16.8~31.2V | 12V, 0~8.4A | 120mV | 89.0% |
| RSD-100B-24 | 14.4~33.6V / 16.8~31.2V | 24V, 0~4.2A | 150mV | 89.0% |
| RSD-100C-5 | 28.8~67.2V / 33.6~62.4V | 5V, 0~20A | 100mV | 89.0% |
| RSD-100C-12 | 28.8~67.2V / 33.6~62.4V | 12V, 0~8.4A | 120mV | 91.0% |
| RSD-100C-24 | 28.8~67.2V / 33.6~62.4V | 24V, 0~4.2A | 150mV | 91.0% |
| RSD-100D-5 | 57.6~154V / 67.2~143V | 5V, 0~20A | 100mV | 89.5% |
| RSD-100D-12 | 57.6~154V / 67.2~143V | 12V, 0~8.4A | 120mV | 91.0% |
| RSD-100D-24 | 57.6~154V / 67.2~143V | 24V, 0~4.2A | 150mV | 90.0% |

150W RSD-150

| Model No. | Input (1 sec / continuous) | Output | R&N | Effi. |
|-------------|----------------------------|--------------|-------|-------|
| RSD-150B-5 | 14.4~33.6V / 16.8~31.2V | 5V, 0~30A | 100mV | 89% |
| RSD-150B-12 | 14.4~33.6V / 16.8~31.2V | 12V, 0~12.5A | 120mV | 90% |
| RSD-150B-24 | 14.4~33.6V / 16.8~31.2V | 24V, 0~6.3A | 150mV | 90% |
| RSD-150C-5 | 28.8~67.2V / 33.6~62.4V | 5V, 0~30A | 100mV | 90% |
| RSD-150C-12 | 28.8~67.2V / 33.6~62.4V | 12V, 0~12.5A | 120mV | 92% |
| RSD-150C-24 | 28.8~67.2V / 33.6~62.4V | 24V, 0~6.3A | 150mV | 91% |
| RSD-150D-5 | 57.6~154V / 67.2~143V | 5V, 0~30A | 100mV | 90% |
| RSD-150D-12 | 57.6~154V / 67.2~143V | 12V, 0~12.5A | 120mV | 92% |
| RSD-150D-24 | 57.6~154V / 67.2~143V | 24V, 0~6.3A | 150mV | 91% |

200W RSD-200

| Model No. | Input (1 sec / continuous) | Output | R&N | Effi. |
|-------------|----------------------------|--------------|-------|-------|
| RSD-200B-12 | 14.4~33.6V / 16.8~31.2V | 12V, 0~16.7A | 120mV | 89% |
| RSD-200B-24 | 14.4~33.6V / 16.8~31.2V | 24V, 0~8.4A | 150mV | 89% |
| RSD-200B-48 | 14.4~33.6V / 16.8~31.2V | 48V, 0~4.2A | 180mV | 89% |
| RSD-200C-12 | 28.8~67.2V / 33.6~62.4V | 12V, 0~16.7A | 120mV | 91% |
| RSD-200C-24 | 28.8~67.2V / 33.6~62.4V | 24V, 0~8.4A | 150mV | 91% |

| Model No. | Input (1 sec / continuous) | Output | R&N | Effi. |
|-------------|----------------------------|--------------|-------|-------|
| RSD-200C-48 | 28.8~67.2V / 33.6~62.4V | 48V, 0~4.2A | 180mV | 91% |
| RSD-200D-12 | 57.6~154V / 67.2~143V | 12V, 0~16.7A | 120mV | 91% |
| RSD-200D-24 | 57.6~154V / 67.2~143V | 24V, 0~8.4A | 150mV | 91% |
| RSD-200D-48 | 57.6~154V / 67.2~143V | 48V, 0~4.2A | 180mV | 91% |

300W RSD-300

| Model No. | Input (1 sec / continuous) | Output | R&N | Effi. |
|-------------|----------------------------|--------------|-------|-------|
| RSD-300B-5 | 14.4~33.6V / 16.8~31.2V | 5V, 0~42A | 100mV | 89.0% |
| RSD-300B-12 | 14.4~33.6V / 16.8~31.2V | 12V, 0~22.5A | 120mV | 89.5% |
| RSD-300B-24 | 14.4~33.6V / 16.8~31.2V | 24V, 0~11.3A | 150mV | 90.0% |
| RSD-300B-48 | 14.4~33.6V / 16.8~31.2V | 48V, 0~5.7A | 180mV | 91.5% |
| RSD-300C-5 | 28.8~67.2V / 33.6~62.4V | 5V, 0~42A | 100mV | 90.5% |
| RSD-300C-12 | 28.8~67.2V / 33.6~62.4V | 12V, 0~25A | 120mV | 91.0% |
| RSD-300C-24 | 28.8~67.2V / 33.6~62.4V | 24V, 0~12.5A | 150mV | 91.5% |
| RSD-300C-48 | 28.8~67.2V / 33.6~62.4V | 48V, 0~6.3A | 180mV | 92.0% |
| RSD-300D-5 | 57.6~154V / 67.2~143V | 5V, 0~42A | 100mV | 90.0% |
| RSD-300D-12 | 57.6~154V / 67.2~143V | 12V, 0~25A | 120mV | 91.5% |
| RSD-300D-24 | 57.6~154V / 67.2~143V | 24V, 0~12.5A | 150mV | 91.5% |
| RSD-300D-48 | 57.6~154V / 67.2~143V | 48V, 0~6.3A | 180mV | 91.5% |
| RSD-300E-5 | 21.6~50.4V / 25.2~46.8V | 5V, 0~42A | 100mV | 88.0% |
| RSD-300E-12 | 21.6~50.4V / 25.2~46.8V | 12V, 0~25A | 120mV | 90.0% |
| RSD-300E-24 | 21.6~50.4V / 25.2~46.8V | 24V, 0~12.5A | 150mV | 91.0% |
| RSD-300E-48 | 21.6~50.4V / 25.2~46.8V | 48V, 0~6.3A | 180mV | 91.0% |
| RSD-300F-5 | 43.2~100.8V / 50.4~93.6V | 5V, 0~42A | 100mV | 89.0% |
| RSD-300F-12 | 43.2~100.8V / 50.4~93.6V | 12V, 0~25A | 120mV | 91.0% |
| RSD-300F-24 | 43.2~100.8V / 50.4~93.6V | 24V, 0~12.5A | 150mV | 91.0% |
| RSD-300F-48 | 43.2~100.8V / 50.4~93.6V | 48V, 0~6.3A | 180mV | 91.5% |

1000W 1U Rack Power System

- Universal AC input / Full range
- Built-in 5V/0.3A standby power
- Built-in active PFC function
- Protections: Short circuit / Overload / Over voltage / Over temp.
- Forced air cooling by built-in DC fan
- High power density 10.7W/inch³
- 1U low profile: 44mm
- Output voltage can be trimmed between 90% ~ 110% of the rated output voltage
- Active current sharing up to 3000W (3 units) in one 19" rack, 3 racks max. can be operated in parallel (up to 8 units)
- Remote control for single unit
- Built-in remote sense function
- Hot-swap operation
- Internal OR-ing diode
- AC OK and DC OK signal output
- Optional I²C serial data bus
- 3 years warranty

Parallel IFC c CBCE



AC input voltage range 90~264VAC
 DC adjustment range ±3% rated output voltage
 Overload protection 105%~125% constant current limiting, auto-recovery
 Over voltage protection 110%~135% rated output voltage
 Setup, rise, hold up time 1000ms, 60ms, 16ms at full load and 230VAC
 Withstand voltage I/P-O/P:3kVAC, I/P-FG:2kVAC, 1 minute
 Working temperature -20~+60°C (refer to output derating curve)
 Safety standards UL60950-1, TUV EN60950-1 approved
 EMC standards EN55022 class B, EN61204-3, EN61000-3-2,3, EN61000-4-2,3,4,5,6,8,11, EN61000-6-2 heavy industry level
 Packing 1.91kg (single unit of RCP-1000) 12.3kg (empty rack)

| Model No. | Output | Tol. | R&N | Effi. |
|-------------|------------|------|-------|-------|
| RCP-1000-12 | 12V, 0~60A | ±1% | 150mV | 81% |
| RCP-1000-24 | 24V, 0~40A | ±1% | 200mV | 87% |
| RCP-1000-48 | 48V, 0~21A | ±1% | 300mV | 89% |

RCP-1U □ 19" 1U rack for RCP-1000 series
 □= I: AC inlet ; T: terminal block

2000W 1U Rack Power System

- Universal AC input / Full range
- Withstand 300VAC surge for 5 secs.
- Built-in 5V/0.3A, 12V/0.8A auxiliary power
- Built-in active PFC function
- Protections: Short circuit / Overload / Over voltage / Input under voltage / Over temp.
- Forced air cooling by built-in DC fan
- Internal OR-ing FET
- High power density 21.4W/inch³
- 1U low profile: 44mm
- Active current sharing up to 6000W (3 units) in one 19" rack, 3 racks max. can be operated in parallel (up to 9 units)
- Remote control for single unit
- Built-in remote sense function
- Hot-swap operation
- PMBus serial communication
- AC OK and DC OK signal, fan fail, OTP alarm signal
- 3 years warranty

Parallel IFC c CBCE



AC input voltage range 90~264VAC
 DC adjustment range -12%~+15% rated output voltage
 Overload protection 105%~125% constant current limiting, shut off after 5 sec., re-power on to recover
 Over voltage protection 120%~145% rated output voltage
 Setup, rise, hold up time 1500ms, 60ms, 10ms at full load and 230VAC
 Withstand voltage I/P-O/P:3kVAC, I/P-FG:2kVAC, 1 minute
 Working temperature -40~+70°C (refer to output derating curve)
 Safety standards UL60950-1, TUV EN60950-1 approved
 EMC standards EN55022 class B, EN61000-3-2,3, EN61000-4-2,3,4,5,6,8,11, EN61000-6-2 heavy industry level
 Packing 2kg (single unit of RCP-2000) 11.5kg (empty rack)

| Model No. | Output | Tol. | R&N | Effi. |
|-------------|-------------|------|-------|-------|
| RCP-2000-12 | 12V, 0~100A | ±2% | 150mV | 86.0% |
| RCP-2000-24 | 24V, 0~80A | ±1% | 200mV | 90.5% |
| RCP-2000-48 | 48V, 0~42A | ±1% | 300mV | 92.0% |

RKP-1U □ 19" 1U rack for RCP-2000 Series;
 □=I: AC inlet; T: terminal block

Control and Monitor Unit for RCP-1000

- 1U low profile
- 19-inch rack mounting
- I²C decoder, control and monitor up to 3 RCP-1000-□-C units
- Suitable for all kinds of RCP-1000 output (12V,24V,48V)
- Digital meters for output voltage, output current, and internal temperature on front panel
- Potentiometer for adjusting output voltage of RCP-1000 unit on front panel
- Relay contacts and LED indicators for AC fail, DC fail, and over temperature warning
- Removable fixing accessory
- 3 years warranty

CE



AC input voltage range ... 90~264VAC
 AC inrush current Cold start, 30A at 115VAC, 50A at 230VAC
 Relay contact rating 30VDC, 1A
 Working temperature -20~+60°C (refer to output derating curve)
 Safety standards Design refer to UL60950-1, TUV EN60950-1
 Withstand voltage I/P-O/P:3kVAC, I/P-FG:1.5kVAC, O/P-FG:0.5kVAC
 Isolation resistance I/P-O/P, I/P-FG, O/P-FG: 100M Ohms/500VDC
 EMC standards EN55022 class B, EN61000-3-2,3, EN61000-4-2,3,4,5,6,8,11
 Connection Screw DIN terminal for AC input and relay contact output; D-Type right angle 25 positions for communication port

| Model No. | Application |
|-----------|-------------------------------------|
| RCP-MU | Control and monitor RCP-1000 series |

Control and Monitor Unit for RCP-2000

- 1U low profile
- 19-inch rack mounting
- Control and monitor up to 32 RCP-2000 units
- Front panel LCD and buttons for on-site service without PC
- Alarm/event log with time and date
- Easy wire connections on rear side
- Windows-based PC communication software
- USB, RS-232 or Ethernet interface for PC connection locally or remote monitoring and control via GSM modem
- 4 user programmable relay outputs for traditional remote or warning
- 3 years warranty

CE

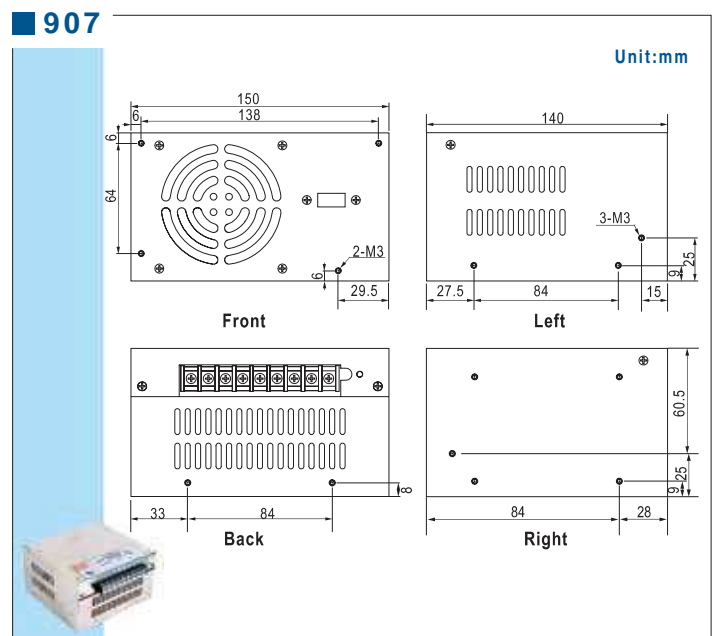
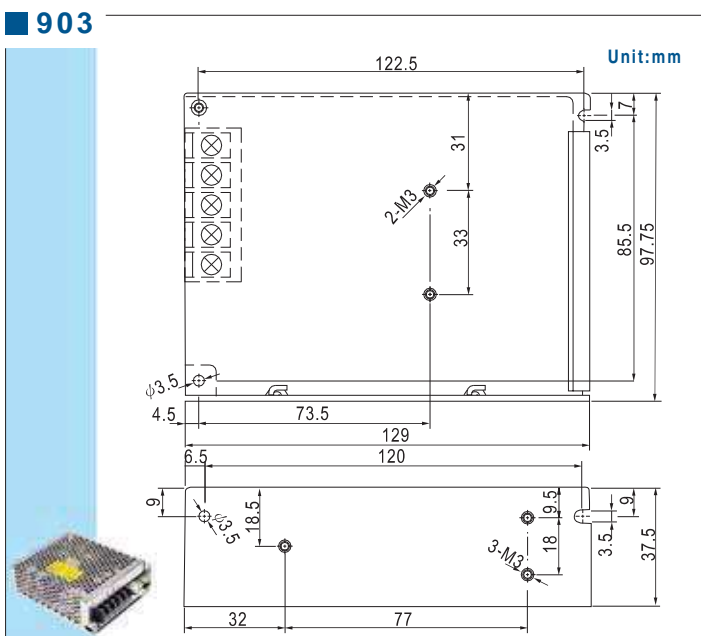
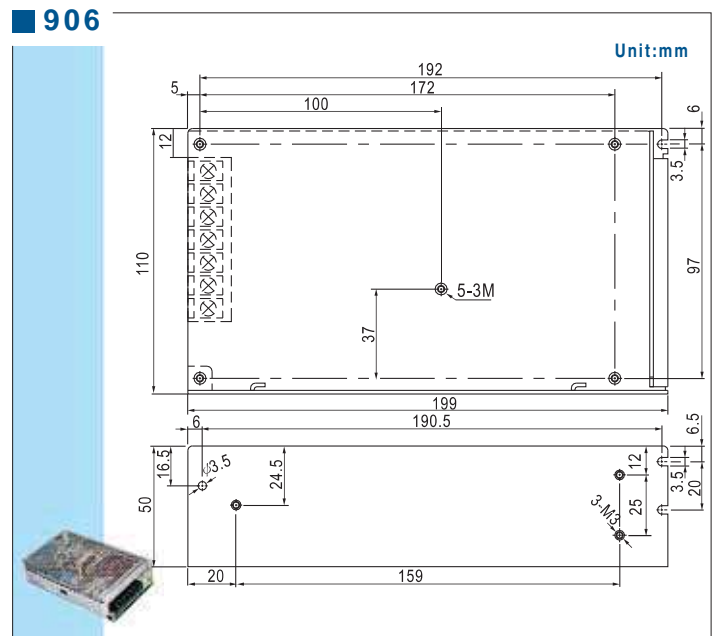
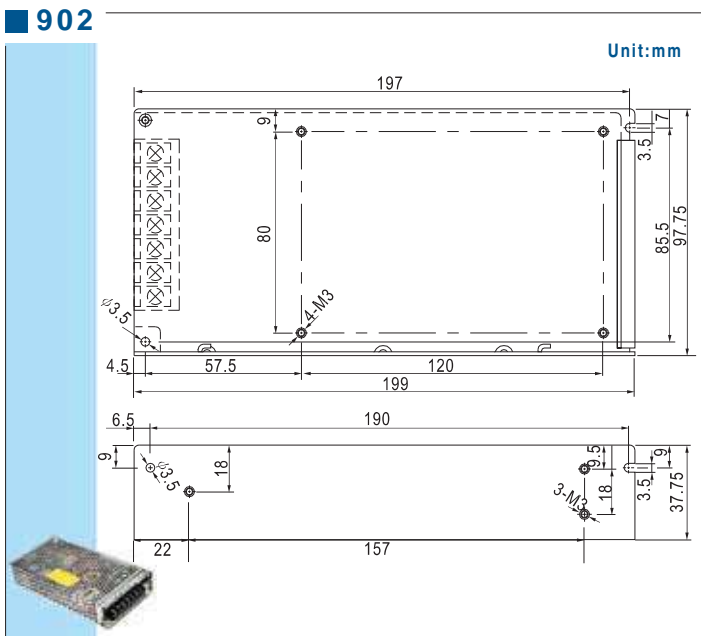
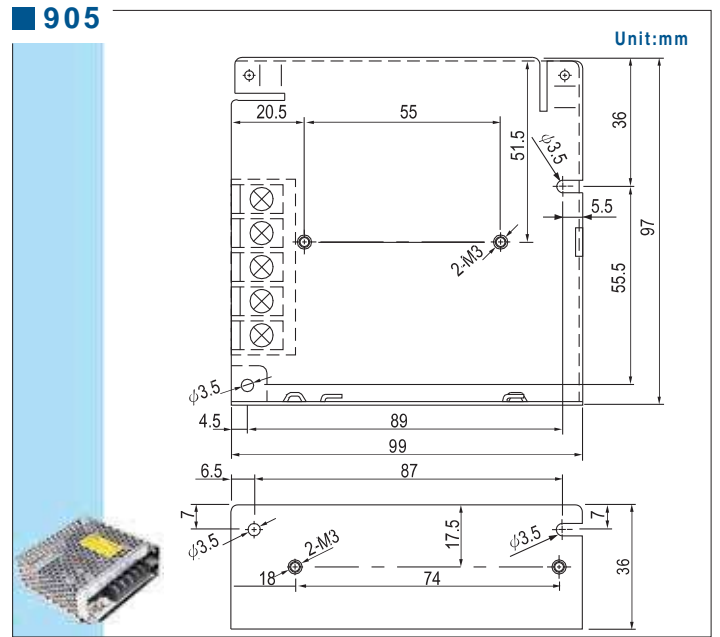
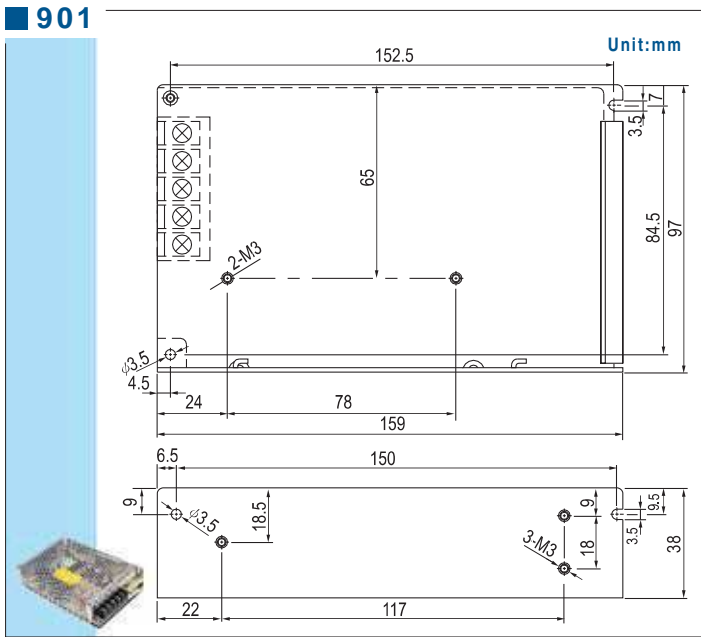
Parallel IFC c CBCE



DC input voltage range 12~15VDC
 DC input current 1A at 12VDC, 0.8A at 15VDC
 Output relay contact 4 user programmable relay
 Working temperature -25~+70°C (refer to output derating curve)
 Safety standards UL60950-1, TUV EN60950-1 approved for RKP-1U □-CMU1
 Withstand voltage I/P-O/P:3kVAC, I/P-FG:1.5kVAC
 Isolation resistance I/P-O/P, I/P-FG: 100M Ohms / 500VDC
 EMC standards EN55022 class B, EN61000-3-2,3, EN61000-4-2,3,4,5,6,8,11, EN61000-6-1 light industry level

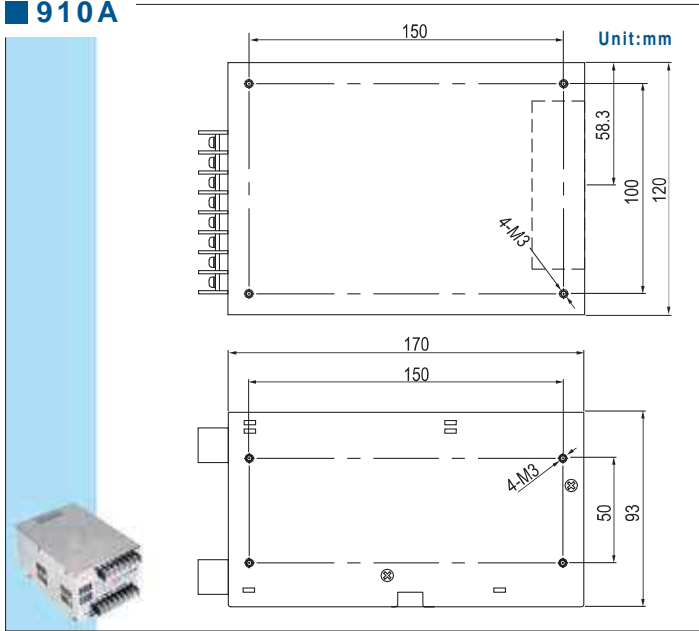
| Model No. | Application |
|---------------|---|
| RKP-CMU1 | Control and monitor RCP-2000 series (single unit of RKP-CMU1) |
| RKP-1U □-CMU1 | Control and monitor RCP-2000 series (19" rack with RKP-CMU1) |

Case Drawing

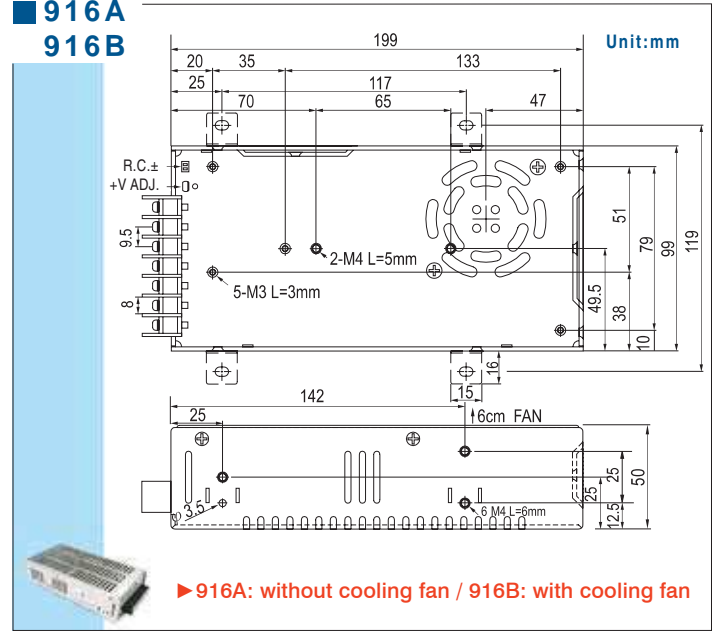


Case Drawing

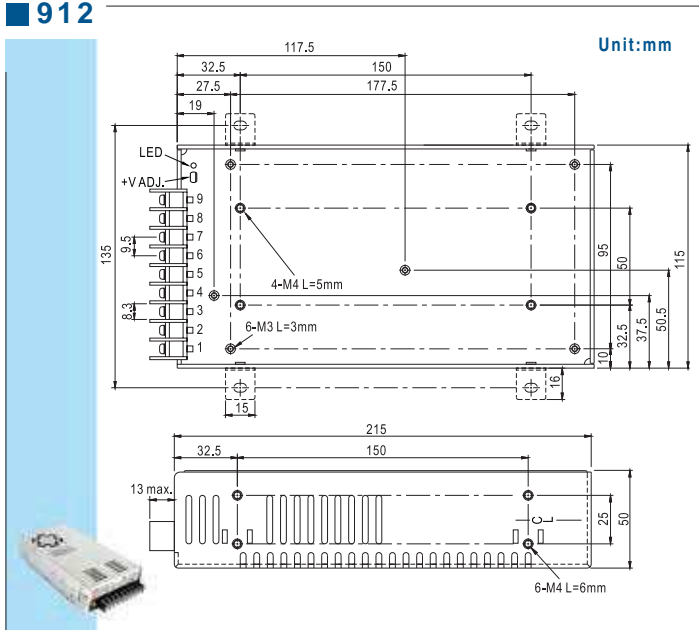
■ 910A



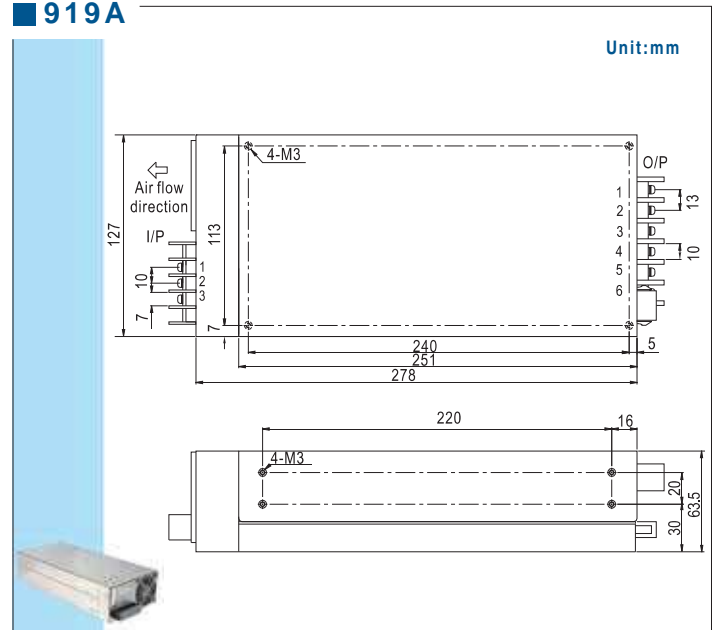
■ 916A
916B



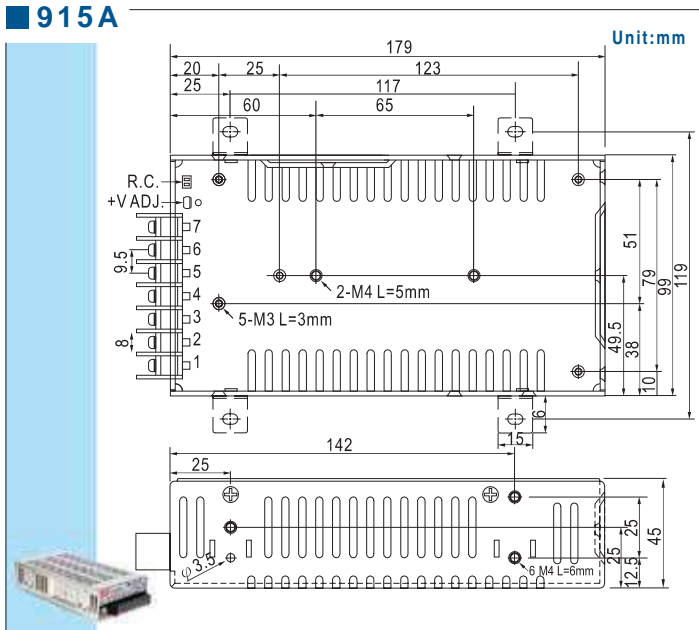
■ 912



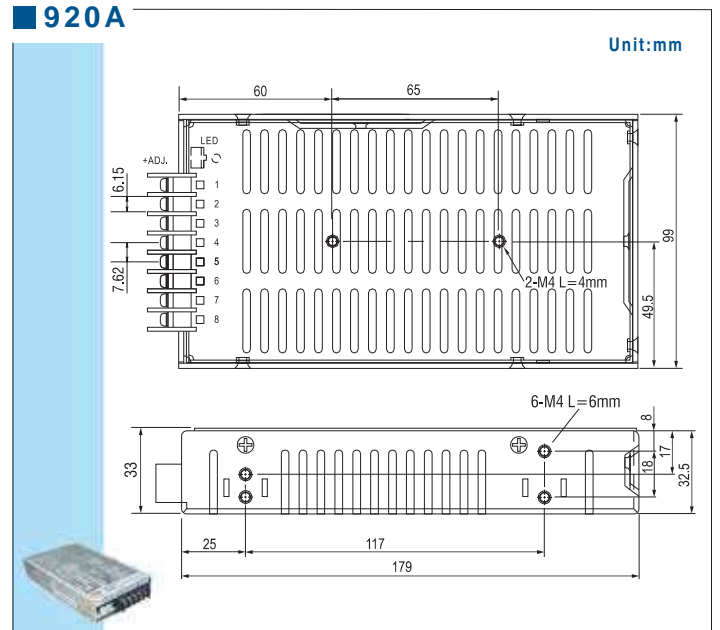
■ 919A



■ 915A

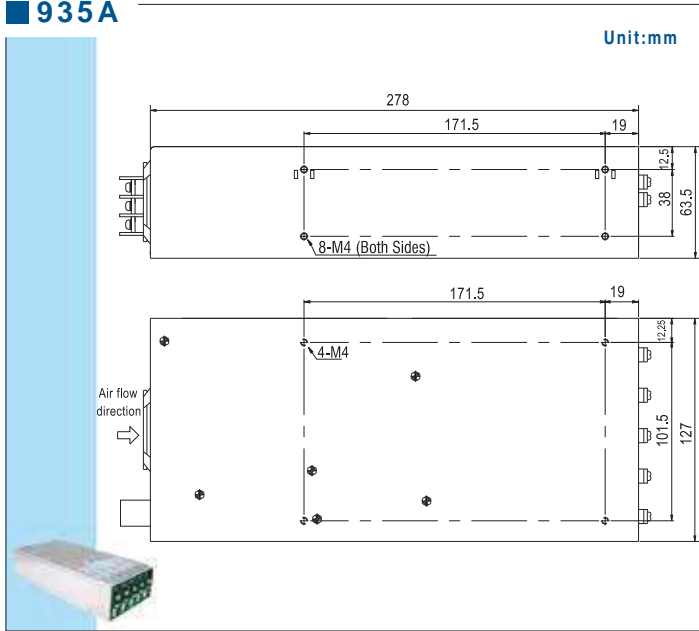


■ 920A

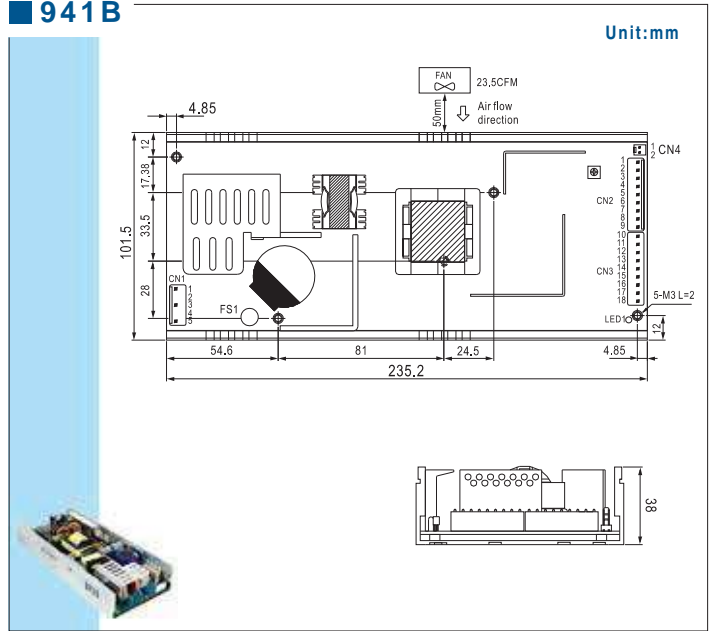


Case Drawing

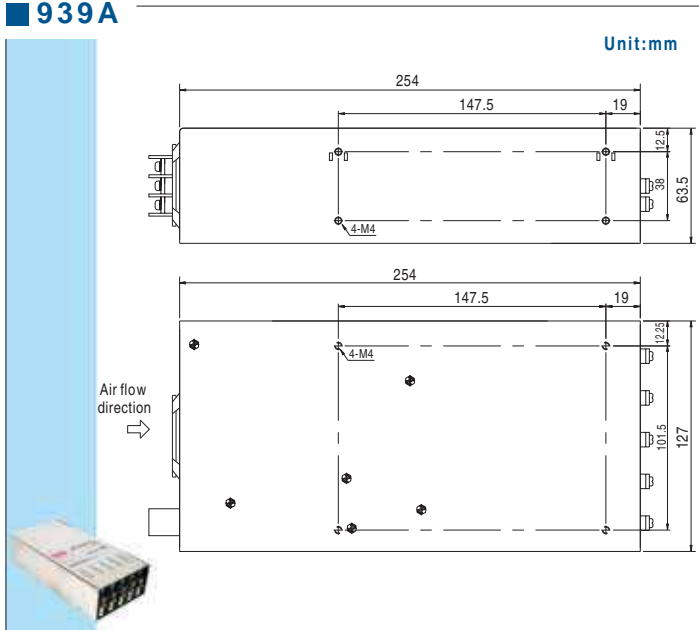
■ 935A



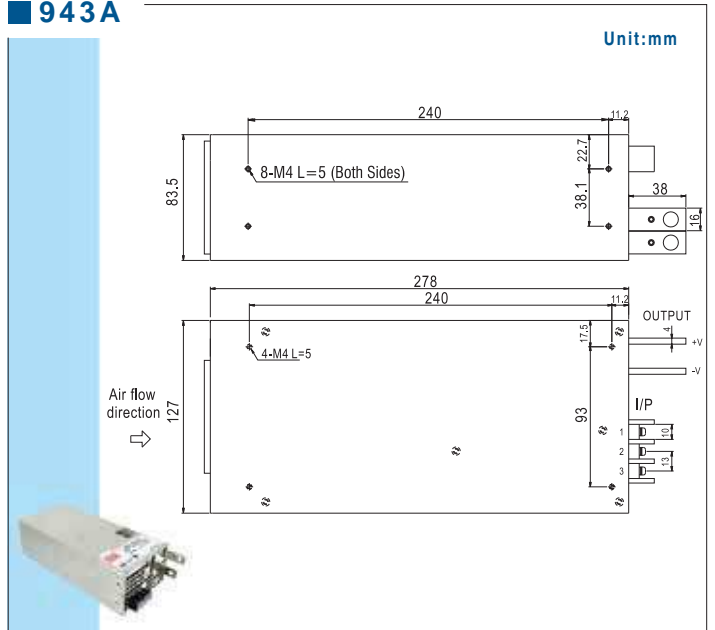
■ 941B



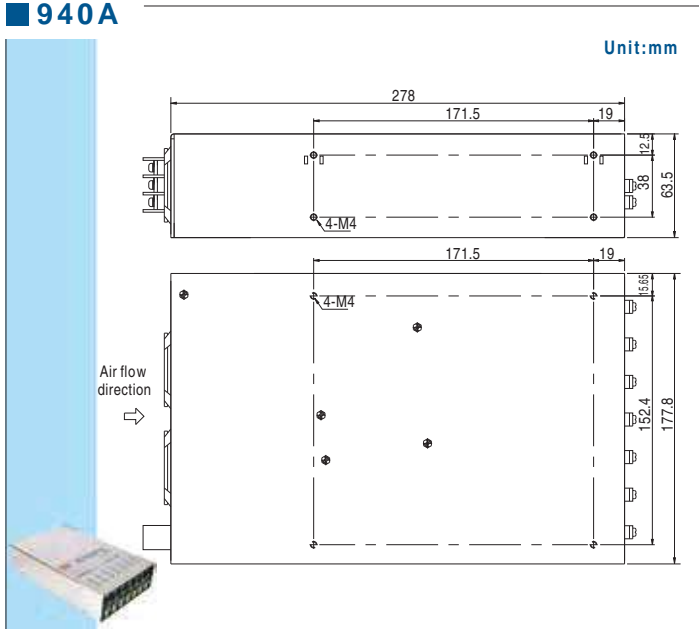
■ 939A



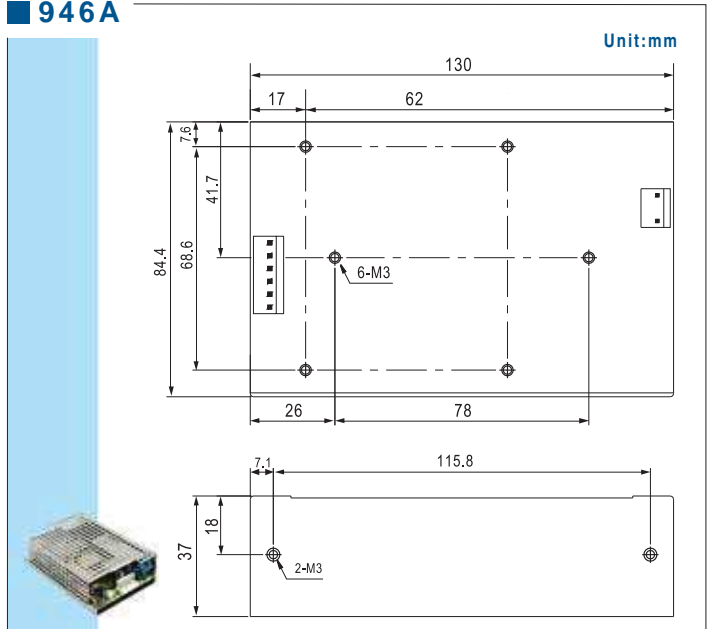
■ 943A



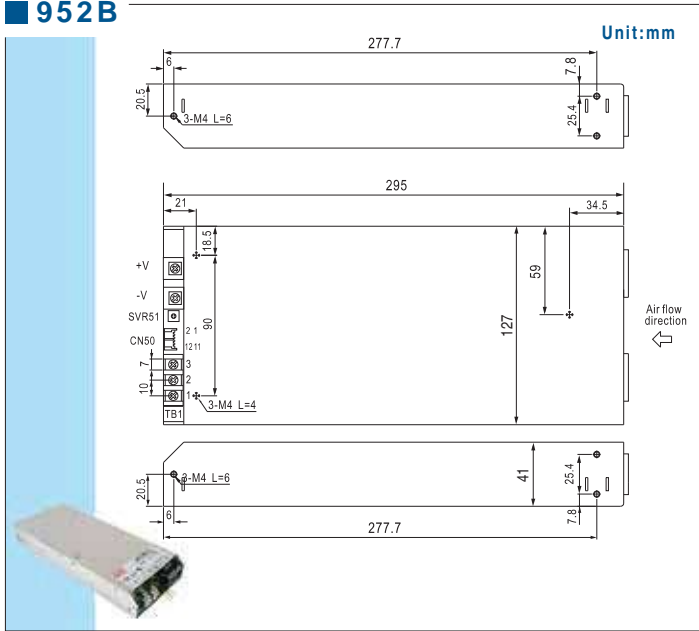
■ 940A



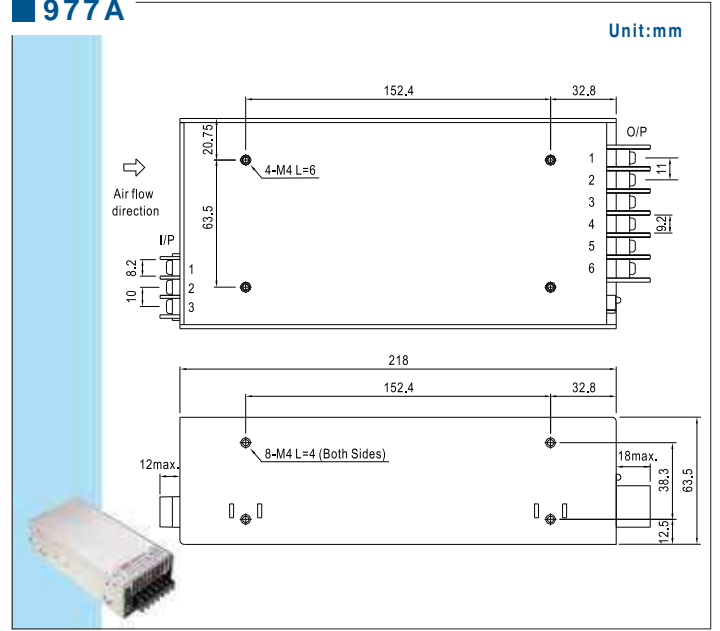
■ 946A



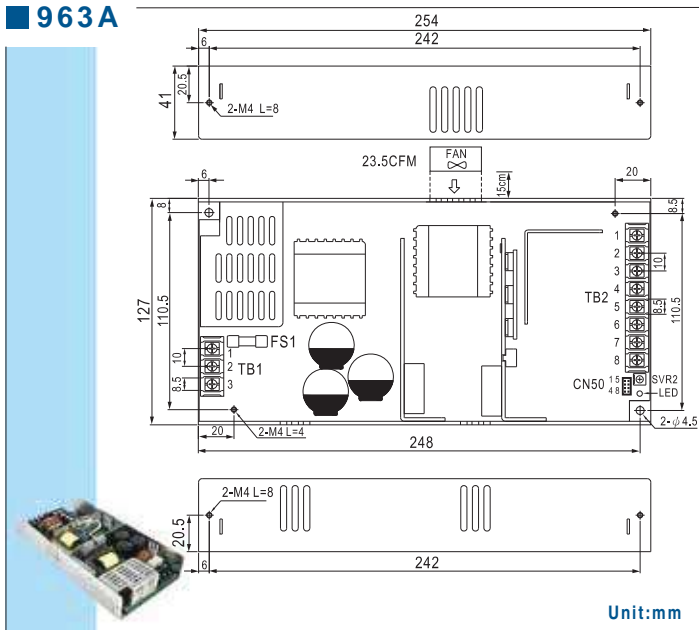
952B



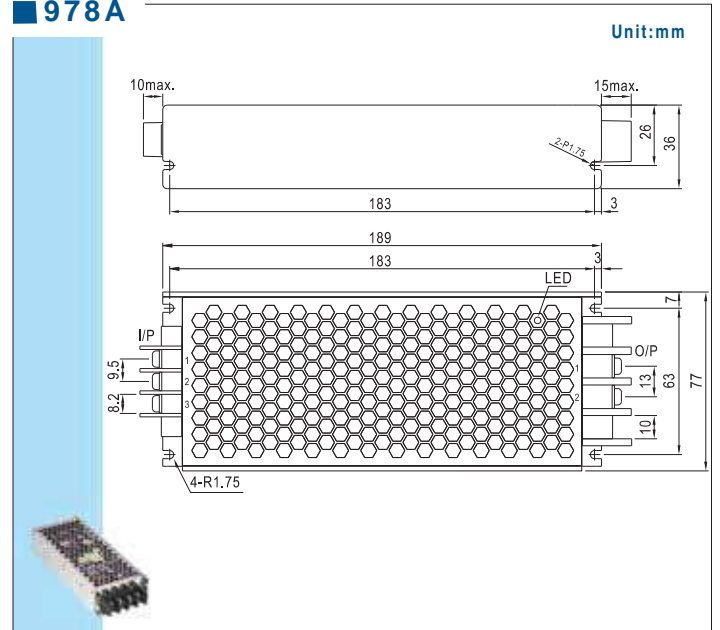
977A



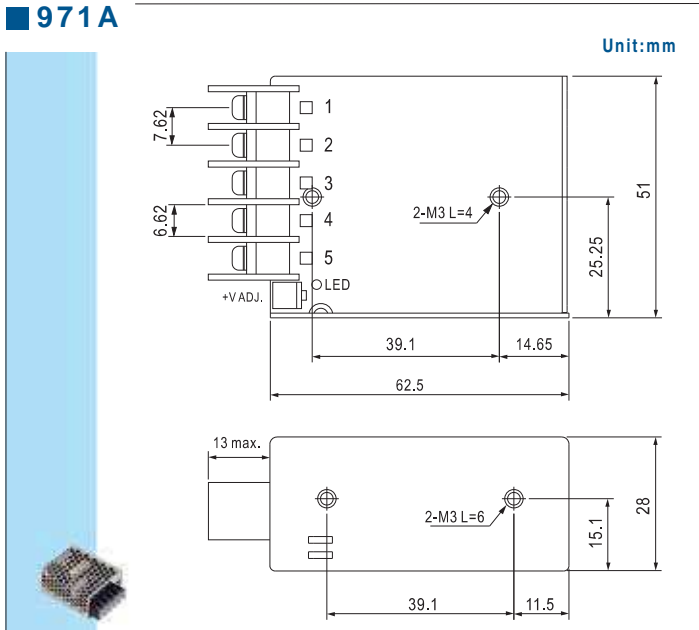
963A



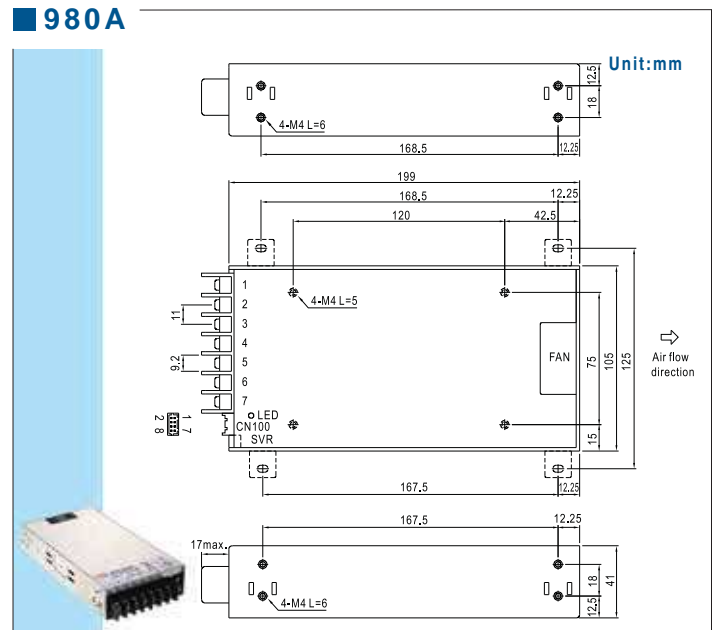
978A



971A

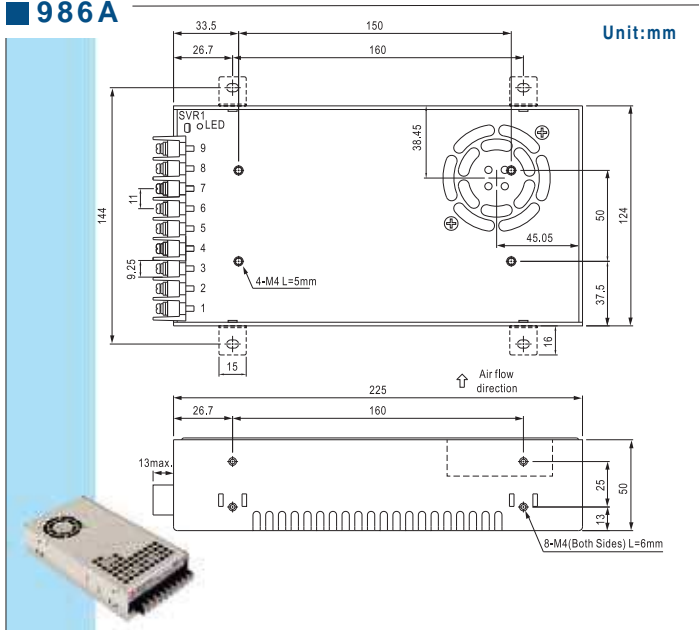


980A

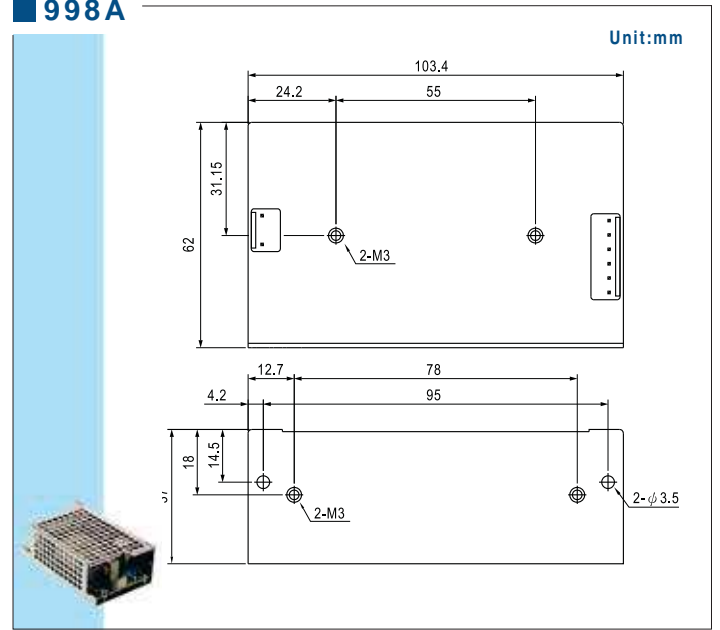


Case Drawing

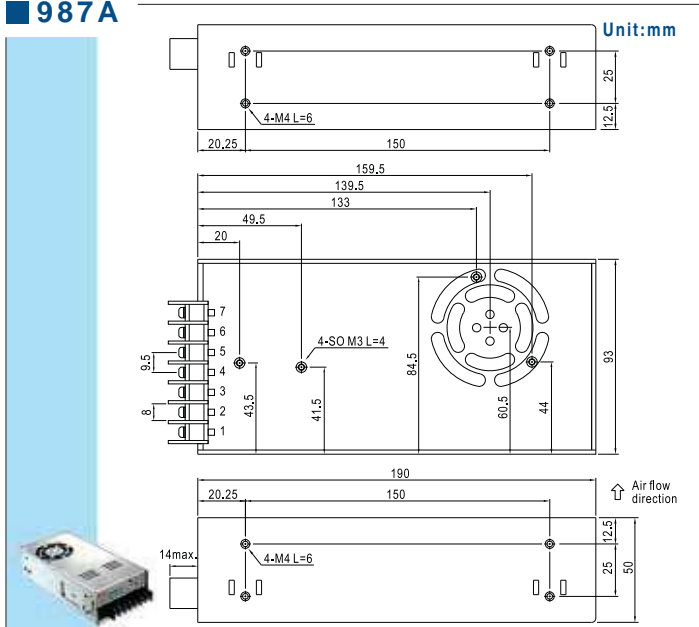
986A



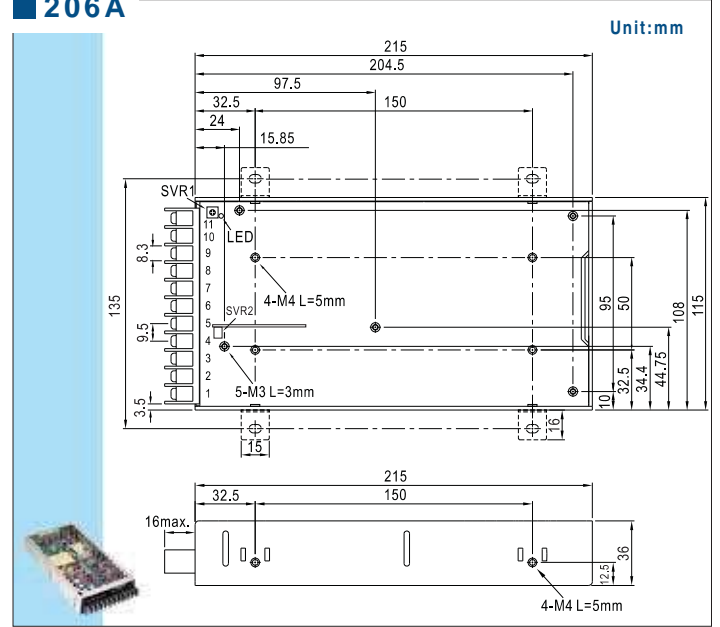
998A



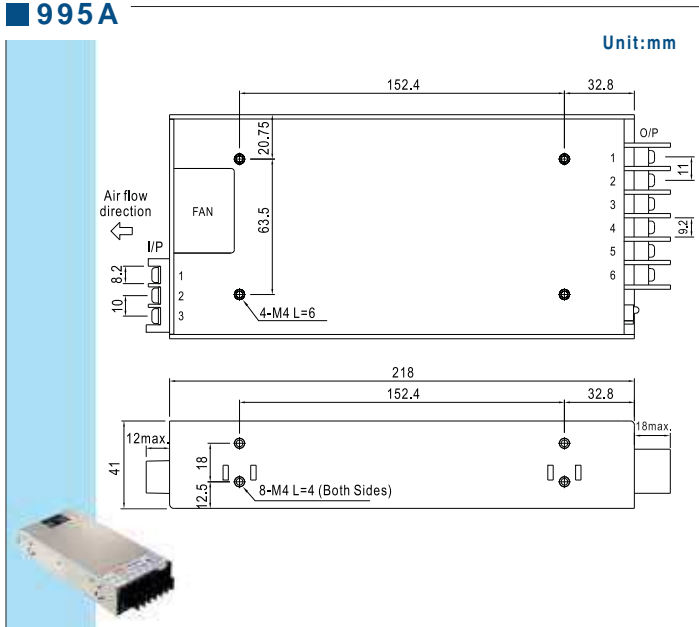
987A



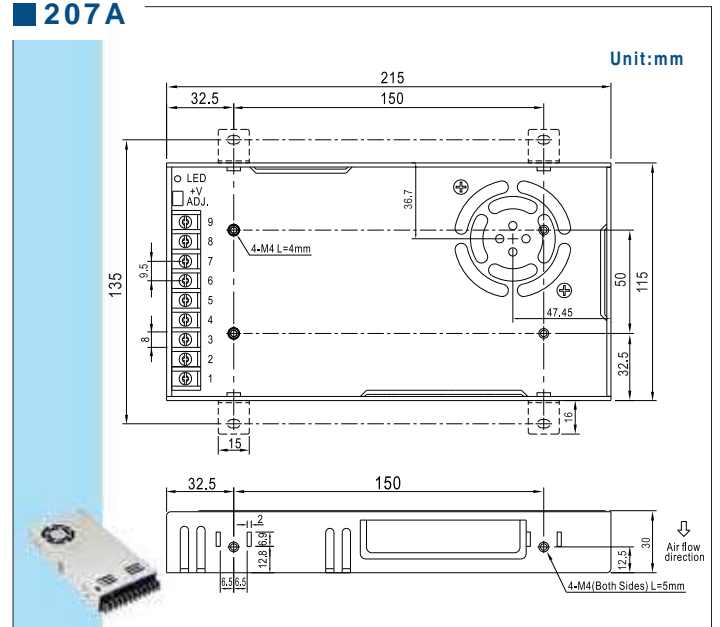
206A



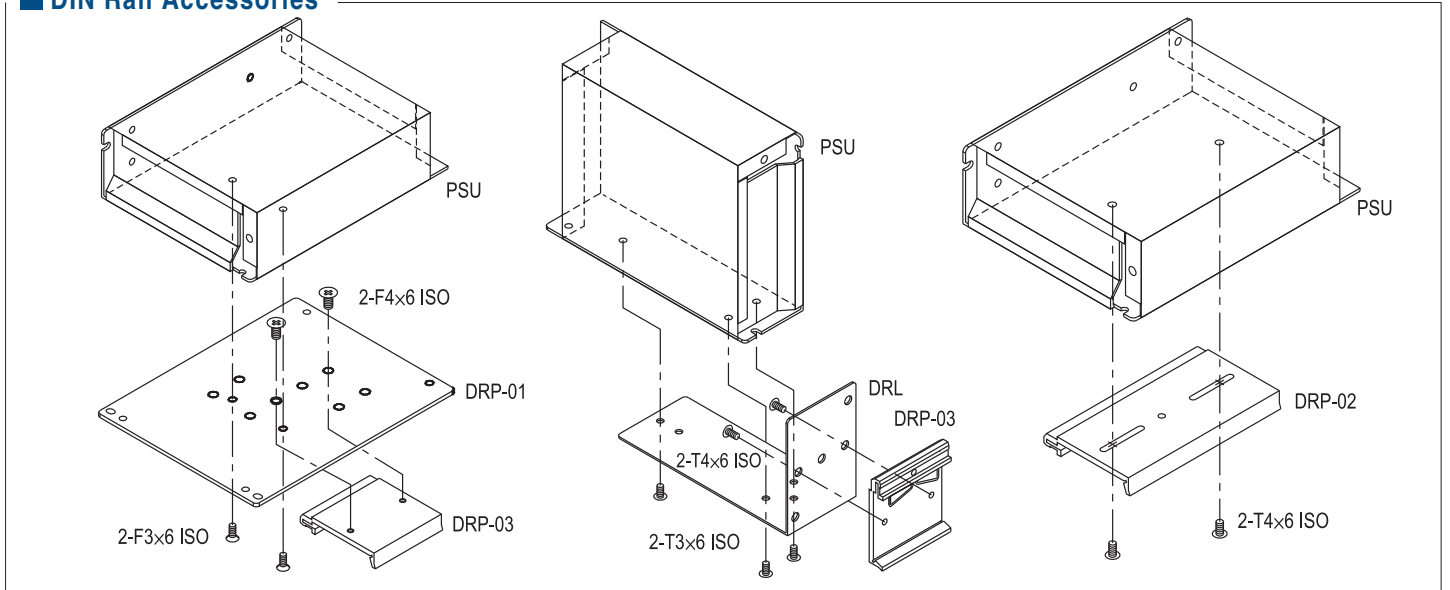
995A



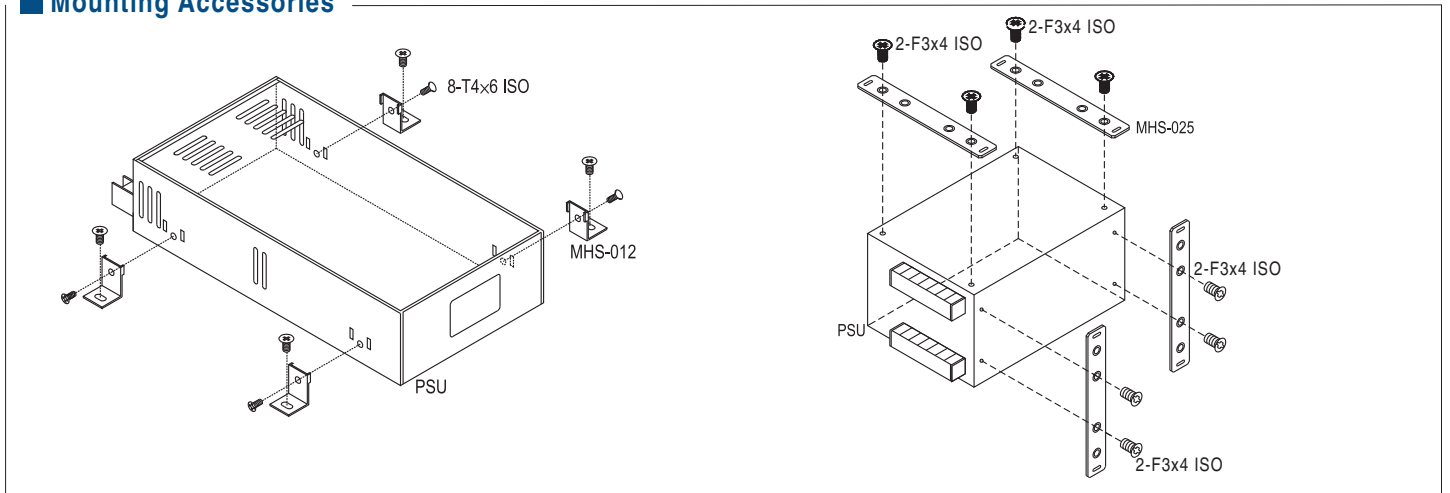
207A



DIN Rail Accessories



Mounting Accessories



| ITEM | Order No. | Case | Model |
|------|-----------|---|---|
| | DRL-01 | 903 905 931 932 971 | S-40, D-30, T-30, S-15, S-25, RS-25, NES-15 RS-35, NES-25 RS-15 |
| | DRL-02 | 901 902 906 915 916 920 | S-50, S-60, D-60, S-100, S-100F, SD-100, S-150, SD-150, D-120, SP-100, SP-150, SP-200, SP-75, |
| | DRL-03A | 980 987 | SP-240, HRP(G)-300 |
| | DRP-01 | 901, 902 903, 906 931, 932 946 | All models |
| | DRP-01A | 203 205 978 999 | RSD-100 / 150 / 200 / 300 |
| | DRP-02 | 905 / 915 916 / 920 928 | S-15, S-25, ... / SP-100, ... SP-150, SP-200, ... / SP-75, ... USP-225, |
| | DRP-03 | DRP-01 DRL-01-03 | All models |
| | DRP-04 | 203 205 978 999 | RSD-100 / 150 / 200 / 300 |

| ITEM | Order No. | Case | Model |
|---|-----------|--|--|
| | MHS012 | 206, 207 912, 915 916, 935 939, 940 977, 980 982, 986 987, 995 | HDP-190, RSP-200/320, S-201, S-320, S-350, SP-100, SP-150, SP-200, SP-320, SE-450/1000, MP450/650/1000, SP-240, HRP-300/450/600, RSP-2400/3000 |
| | MHS013 | 919 926 | PSP-500, SP-750, SE-600 |
| | MHS014 | 212 952 | RSP-750 RSP-1000, SD-1000 |
| | MHS025 | 910 | SP-500, PSP-600..... |
| | MHS026 | 943 | RSP-1500 |
| | MHS027 | 971 931 | RS-15 RS-25 |
| TBC is the cover for terminal block | TBC-05 | 901 903 905 932 220 | SD-50, S-60 S-40, NES-50, RS-75 S-25, SD-25, NES-35, RS-50 NES-25, RS-35 RSP-75 |
| | TBC-07 | 901 902 903 905 906 215A 227A | D/ID-60, NED/T-75, RD-85, NES-100, RS-100, T-60 S-100F, RD-125, NES-150, RS-150, SD-100, NED/T-50, RD/RID-65, T-40 NED/T-35, RD-50 S-150, SC-150, SD-150 RSP-150 RSP-100 |
| | TBC-08 | 901 906 | AD-155, ADD/ADS-155 D/T/Q-120 |
| | TBC-09 | 207 | RSP-200/320 |

Quotation

- Most of our standard products are available and in stock through our global authorized distributors. Please contact your local distributor for prompt service. Please let us know if you are unable to find Mean Well's distributor information in your local area.
- Written quotations are valid for 60 days from the date quoted unless otherwise specified. Customers are responsible for all banking related charges outside of Taiwan.

Order

- Orders must be placed to Mean Well by mail, e-mail, or fax. Please do not place your order by phone. For international business, Mean Well will provide order confirmations with scheduled delivery dates. If you fail to receive an order confirmation within 2 working days, please reconfirm your order.
- Minimum order amounts per shipment are determined by our local distributor's stock capability. Please contact our sales representative for details.
- We encourage customers to place long-term orders. However, order cancellations or reschedules must be made 45 days prior to the scheduled shipping date.

Delivery

- For our standard products, Mean Well usually keeps around 2-8 weeks safety stock (based on the past 3 months sales record) for prompt delivery of small / medium quantity orders. For large quantity or new product orders, 3-5 weeks lead-time is needed.

Return

- All returned goods must have a RMA (return material authorization) number marked on each carton. Contact Mean Well for a RMA number. All goods must be shipped as "freight prepaid" unless confirmed by our sales representatives.

Warranty

- Products found to be defective within 30 days from the date of receipt can be returned for credit or exchange. After the initial 30 days, Mean Well will repair the goods according to our warranty period. Contact Mean Well for further information on credit or a RMA number. Goods should be shipped as "freight prepaid" to Mean Well and Mean Well will repair and return the defective units (freight prepaid) within 7 working days. If the warranty period has expired, a repair fee (depends on the condition of the product) will be charged.
- If customers do the repair by themselves, Mean Well can provide reasonable quantity of free components for repair purpose.

Attention

- We make every effort to ensure the accuracy of information in the catalog. If there is any discrepancy between the data presented in our catalog and the SPEC, the SPEC sheets should take precedence (please refer to www.meanwell.com for the latest SPEC information). We cannot take any responsibility of any consequence arising due to error or change in specification. We suggest customers conduct a sample test for evaluation and approval before placing a formal order.
- For continuing product improvement, Mean Well reserves the right to revise any information in this catalog without further notification.

The EMC directive applies to component power supplies

- Mean Well ensures that all of the power supplies with CE declaration are designed to meet EMC directives and are verified by an independent certified lab agent with a test report prepared. However, there are 2 categories for power supplies: One is a stand-alone power supply, such as laboratory power supplies which can be tested under EMC individually. The other category is a component power supply such as an enclosed power supply and open PCB power supply. These power supplies are considered a component which will be installed into a final equipment. Since EMC performance is affected by the final installation of a product, Mean Well cannot guarantee that the final equipment will meet EMC directives. Final product manufacturers must re-confirm that their product meets EMC directives.

RoHS Announcement

- To minimize the environmental impact and take more responsibility to the earth we live, MEAN WELL applies manufacturing that complies with Directive 2002/95/EC of the European Parliament - RoHS (Restriction of Hazardous Substances) since Sep. 2005. Please refer to the declaration on our web site for more detail information.



Taiwan

明緯企業股份有限公司
MEAN WELL ENTERPRISES CO., LTD.
24891 新北市五股區五權三路28號
No.28, Wuquan 3rd Rd., Wugu Dist.,
New Taipei City 24891, Taiwan (R.O.C.)
統一編號 : 34491075
Tel : +886-2-2299-6100(rep.)
Fax: +886-2-2299-6200(rep.)
+886-2-2298-0818(sales)
E-mail: info@meanwell.com www.meanwell.com

China

明緯(廣州)電子有限公司
MEAN WELL (GUANGZHOU) ELECTRONICS CO., LTD.
廣州市天河區東圃鎮黃村粵安工業園A棟2樓
2F, A Building, Yuean Industry Park, Huangcun,
Dongpu Town, Tianhe District, Guangzhou, China
Post Code: 510660
Tel : +86-20-2887-1200(rep.) 400-800-3608(sales)
Fax: +86-20-8201-0507
E-mail: info@meanwell.com.cn www.meanwell.com.cn

蘇州明緯科技有限公司
SUZHOU MEAN WELL TECHNOLOGY CO., LTD.
江蘇省蘇州市相城區黃埭鎮潘陽工業園東橋健民路77號
No.77, Jian-Ming Rd. Dong-Qiao, Pan-Yang Ind. Park,
Huang-Dai Town, Xiang-Cheng District,
Suzhou, Jiang-Su, China
Post Code: 215152
Tel : +86-512-6508-8600
Fax: +86-512-6508-8700
E-mail: info@meanwell.cc www.meanwell.cc

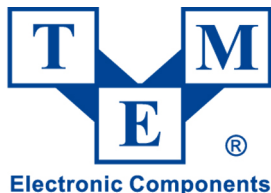
U.S.A.

MEAN WELL USA, INC.
44030 Fremont Blvd., Fremont, CA 94538, U.S.A.
Tel : +1-510-683-8886
Fax: +1-510-683-8899
E-mail: info@meanwellusa.com
www.meanwellusa.com

Europe

MEAN WELL EUROPE B.V.
Langs de Werf 8, 1185XT Amstelveen, The Netherlands
Tel : +31-20-758-6000
Fax: +31-20-758-6001
E-mail: info@meanwell.eu
www.meanwell.eu

Please Contact Your Local Distributor



Transfer Multisort Elektronik

Transfer Multisort Elektronik Sp. z o.o.
Ustronna 41, 93-350 Lodz, Poland
tel.: +48 42 645 54 44, fax: +48 42 645 54 70
e-mail: export@tme.eu, tme.eu

www.meanwell.com

