



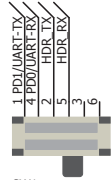
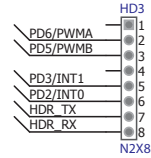
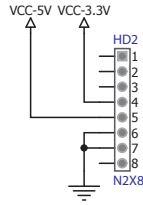
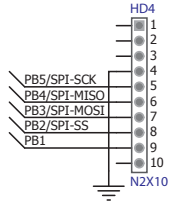
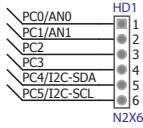
HESTORE.HU

elektronikai alkatrész áruház

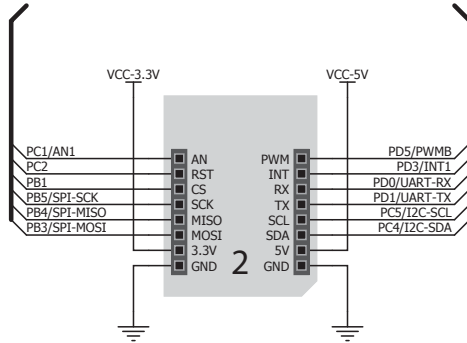
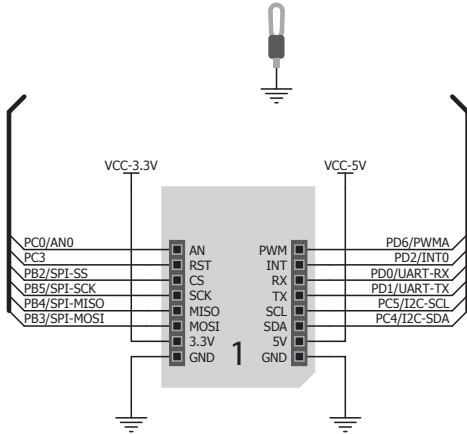
EN: This Datasheet is presented by the manufacturer.

Please visit our website for pricing and availability at www.hestore.hu.

Arduino UNO click Shield - schematics



SW1
JS202011AQN



Arduino UNO click Shield - dimensions

Legend
mm
mils

