

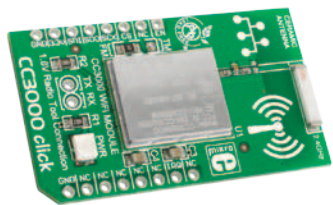


**HESTORE.HU**

elektronikai alkatrész áruház

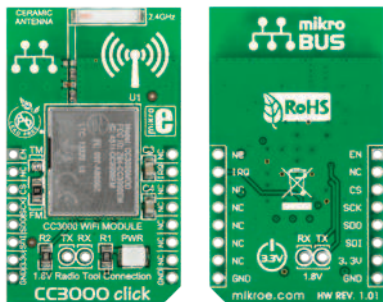
**EN:** This Datasheet is presented by the manufacturer.

Please visit our website for pricing and availability at [www.hestore.hu](http://www.hestore.hu).



CC3000 **click™**

## 1. Introduction



CC3000 Click™ is an add-on board in **mikroBUS™** form factor. It's a compact and easy solution for adding WiFi communication to your design. It features **CC3000MOD** - WiFi 802.11b/g network processor with TCP/IP stack as well as a 2.4GHz ceramic antenna. CC3000 Click™ communicates with the target board microcontroller via **mikroBUS™** UART (MISO, MOSI, SCK, CS), AN and INT lines. The board is designed to use 3.3V power supply only. A LED diode serves as a power indicator.

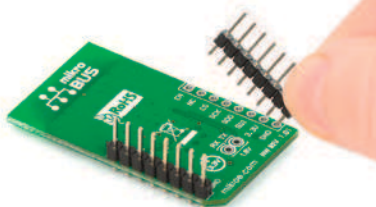
## 2. Soldering the headers

Before using your click™ board, make sure to solder 1x8 male headers to both left and right side of the board. Two 1x8 male headers are included with the board in the package.



1

2



Turn the board upside down so that the bottom side is facing you upwards. Place shorter pins of the header into the appropriate soldering pads.

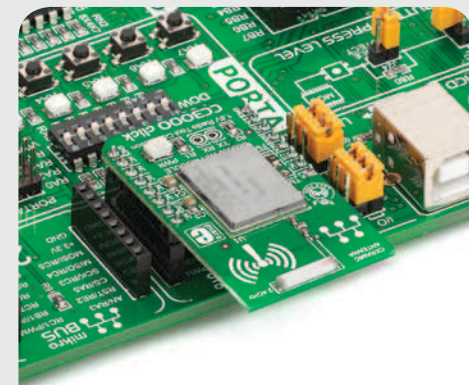
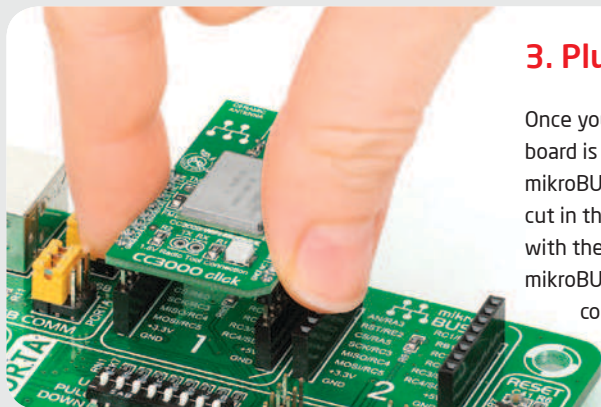
3



Turn the board upward again. Make sure to align the headers so that they are perpendicular to the board, then solder the pins carefully.

## 3. Plugging the board in

Once you have soldered the headers your board is ready to be placed into the desired mikroBUS™ socket. Make sure to align the cut in the lower-right part of the board with the markings on the silkscreen at the mikroBUS™ socket. If all the pins are aligned correctly, push the board all the way into the socket.



## 4. Essential features

CC3000 Click™ represents a wireless network module with integrated IPv4 TCP/IP stack with built-in network protocols (ARP, ICMP, DHCP client and DNS client) that simplifies connection to local networks and the internet. The board enables OFDM rates from 1 to 54 Mbps in the 2.4-GHz ISM band with maximum antenna range of about 70 meters in open space. **CC3000MOD** contains integrated EEPROM memory which can store 5 KB of user data.

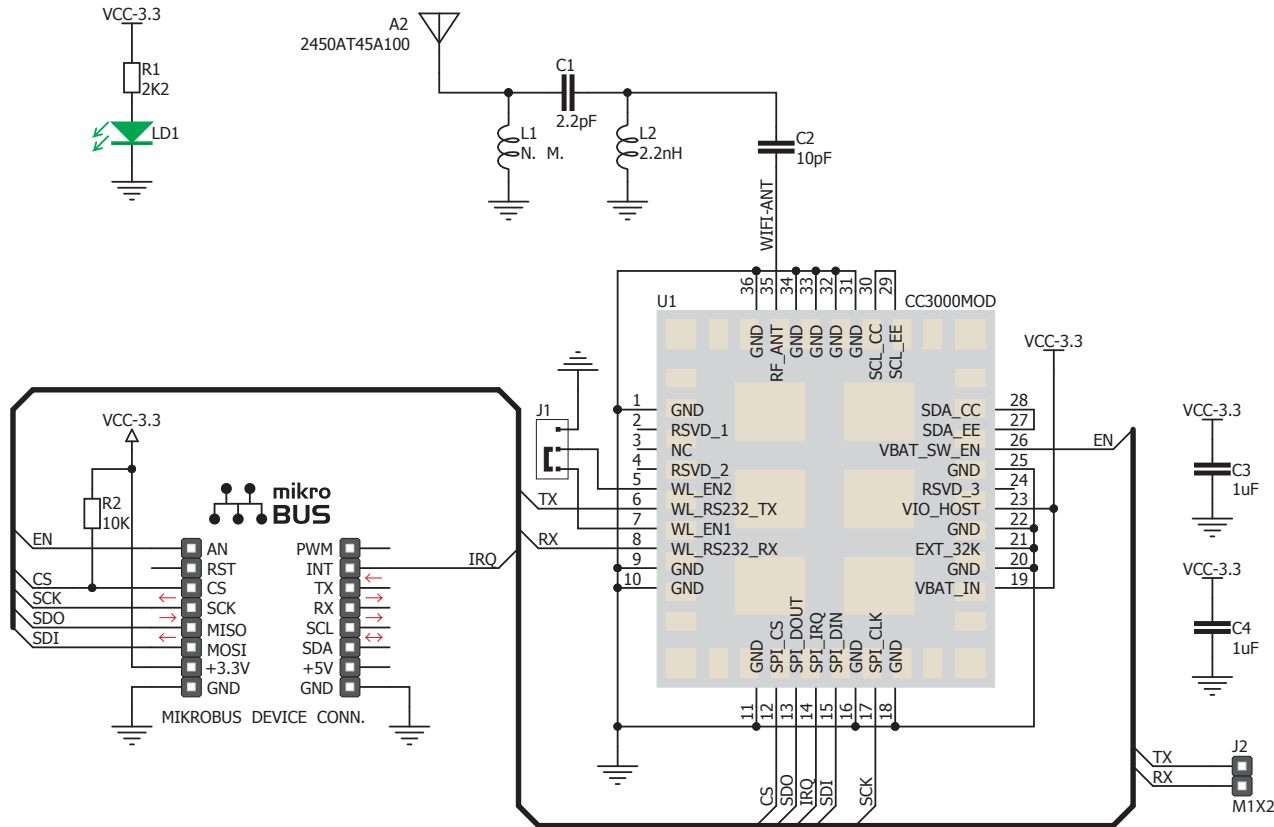
**click™**  
BOARD  
[www.mikroe.com](http://www.mikroe.com)



CC3000 click Manual  
ver. 1.01



## 5. CC3000 Click™ Board Schematic



## 6. SMD Jumper

The board has two operating modes: Function (FM), or Test (TM). You can choose between these two modes with **J1** SMD jumper (FM is the default position). In case of using test mode, two additional pads are provided on the board which enable you to connect with the CC3000 radio test tool. It uses RS232 serial interface (RX,TX) with 1.8V signal logic.

## 7. Code Examples

Once you have done all the necessary preparations, it's time to get your click™ board up and running. We have provided examples for mikroC™, mikroBasic™ and mikroPascal™ compilers on our **Libstock** website. Just download them and you are ready to start.



## 8. Support

MikroElektronika offers **Free Tech Support** ([www.mikroe.com/esupport](http://www.mikroe.com/esupport)) until the end of product lifetime, so if something goes wrong, we are ready and willing to help!