



HESTORE.HU

elektronikai alkatrész áruház

EN: This Datasheet is presented by the manufacturer.

Please visit our website for pricing and availability at www.hestore.hu.



EVERLIGHT ELECTRONICS CO.,LTD.

Technical Data Sheet

0805 Package Chip LED(1.0mm Height)

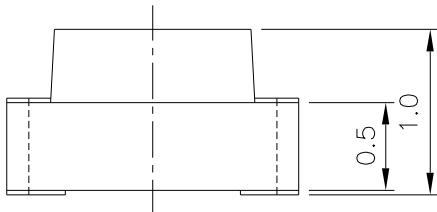
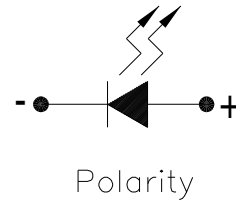
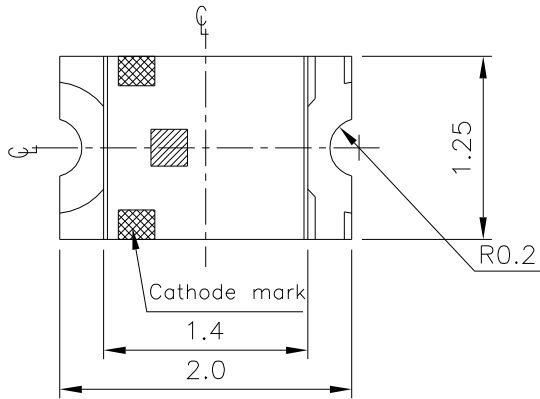
17-21/Y2C-CP2Q2B/3T

Features

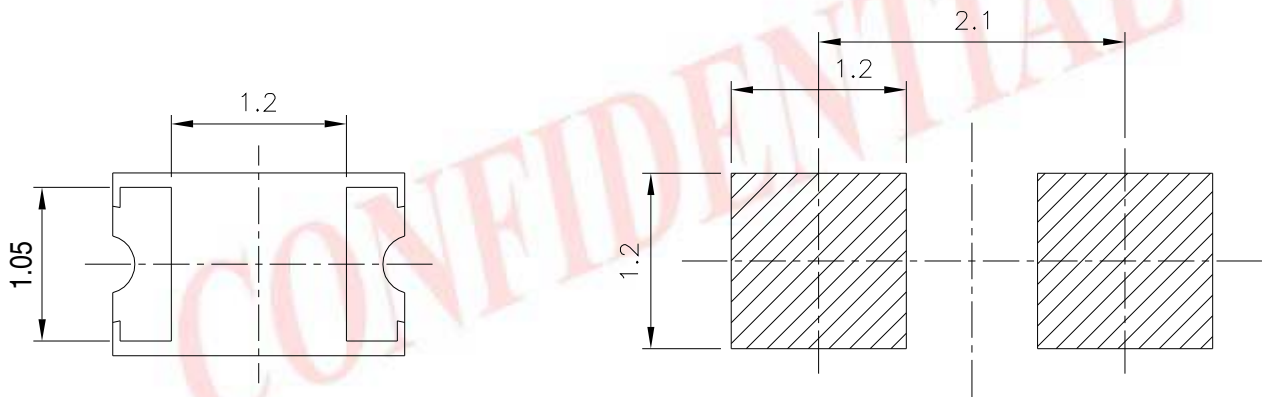
- Package in 8mm tape on 7

CONFIDENTIAL

Package Outline Dimensions



For reflow soldering (Propose)



Note: The tolerances unless mentioned is



Absolute Maximum Ratings (Ta=25

CONFIDENTIAL

**Bin Range Of Dom. Wavelength**

Group	Bin	Min	Max	Unit	Condition
C	D3	585.5	588.5	nm	I _F =20mA
	D4	588.5	591.5		

Bin Range Of Luminous Intensity

Bin	Min	Max	Unit	Condition
P2	57.0	72.0	mcd	I _F =20mA
Q1	72.0	90.0		
Q2	90.0	112.0		

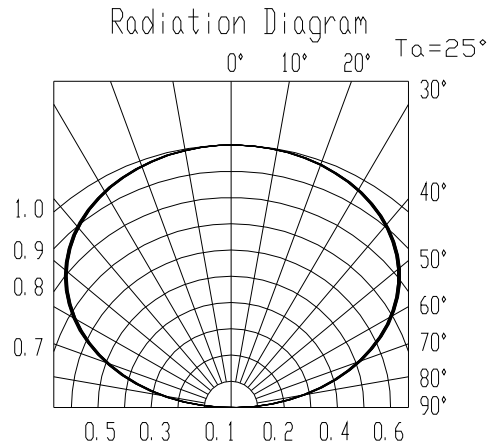
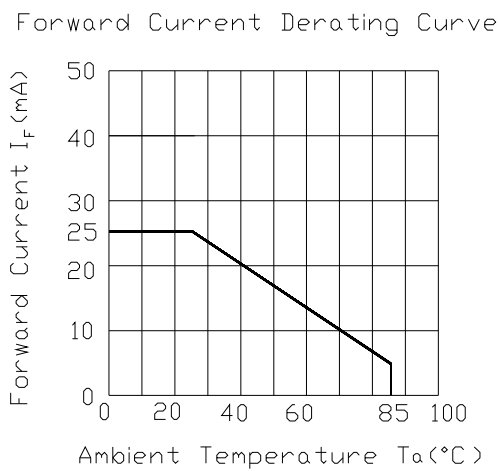
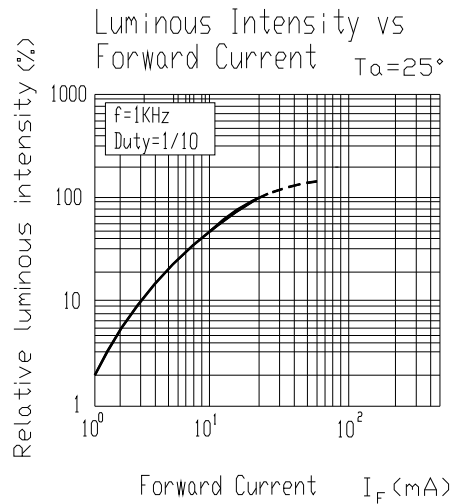
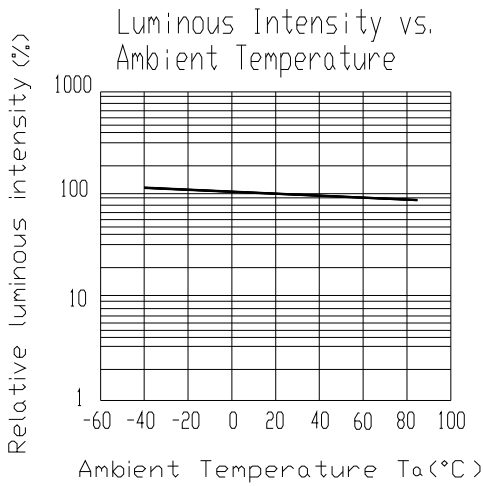
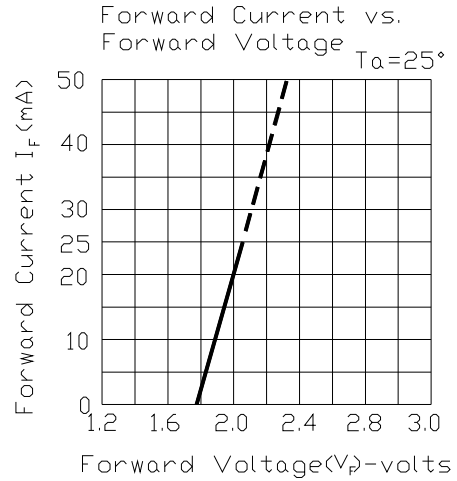
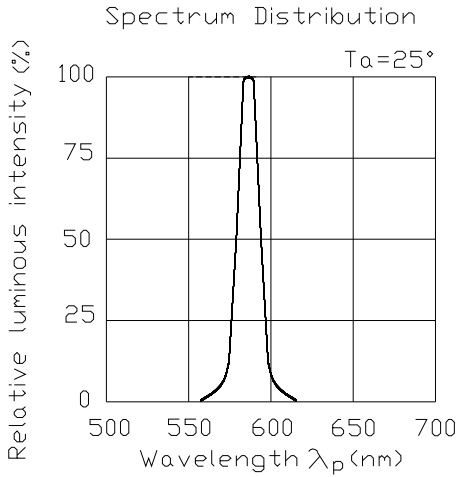
Bin Range Of Forward Voltage

Group	Bin	Min	Max	Unit	Condition
B	0	1.75	1.95	V	I _F =20mA
	1	1.95	2.15		
	2	2.15	2.35		

Notes:**1.Tolerance of Luminous Intensity**

CONFIDENTIAL

Typical Electro-Optical Characteristics Curves





EVERLIGHT

CPN:

P/N:



QTY:

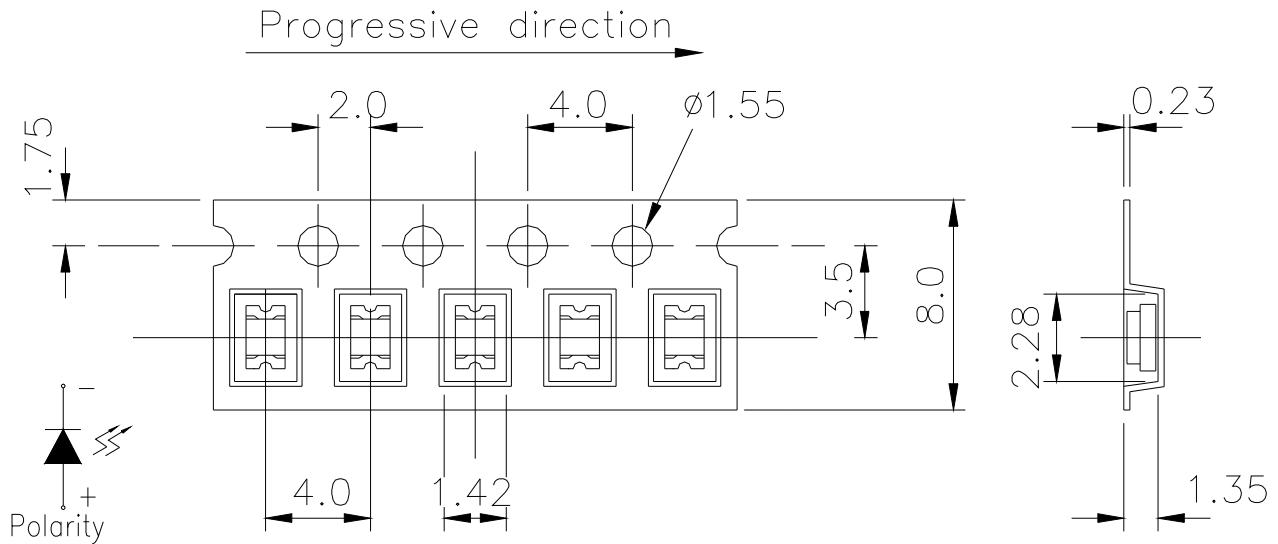


LOT NO:



CONFIDENTIAL

Carrier Tape Dimensions: Loaded quantity 3000 PCS per reel



Note: The tolerances unless mentioned is

CONFIDENTIAL



Reliability Test Items And Conditions

The reliability of products shall be satisfied with items listed below.

Confidence level

CONFIDENTIAL

Precautions For Use

1. Over-current-proof

Customer must apply resistors for protection , otherwise slight voltage shift will cause big current change (Burn out will happen).

2. Storage

2.1 Do not open moisture proof bag before the products are ready to use.

2.2 Before opening the package, the LEDs should be kept at 30

CONFIDENTIAL



4.Soldering Iron

Each terminal is to go to the tip of soldering iron temperature less than 350

CONFIDENTIAL