



HESTORE.HU

elektronikai alkatrész áruház

EN: This Datasheet is presented by the manufacturer.

Please visit our website for pricing and availability at www.hestore.hu.



One of the World's Largest Manufacturers of
Discrete Semiconductors and Passive Components

Vishay Dale Inductors Review of Select Products - 2009

Build **Vishay**
into your **Design**

Vishay Dale Inductors

Vishay Intertechnology – Inductor Division Manufacturing Sites

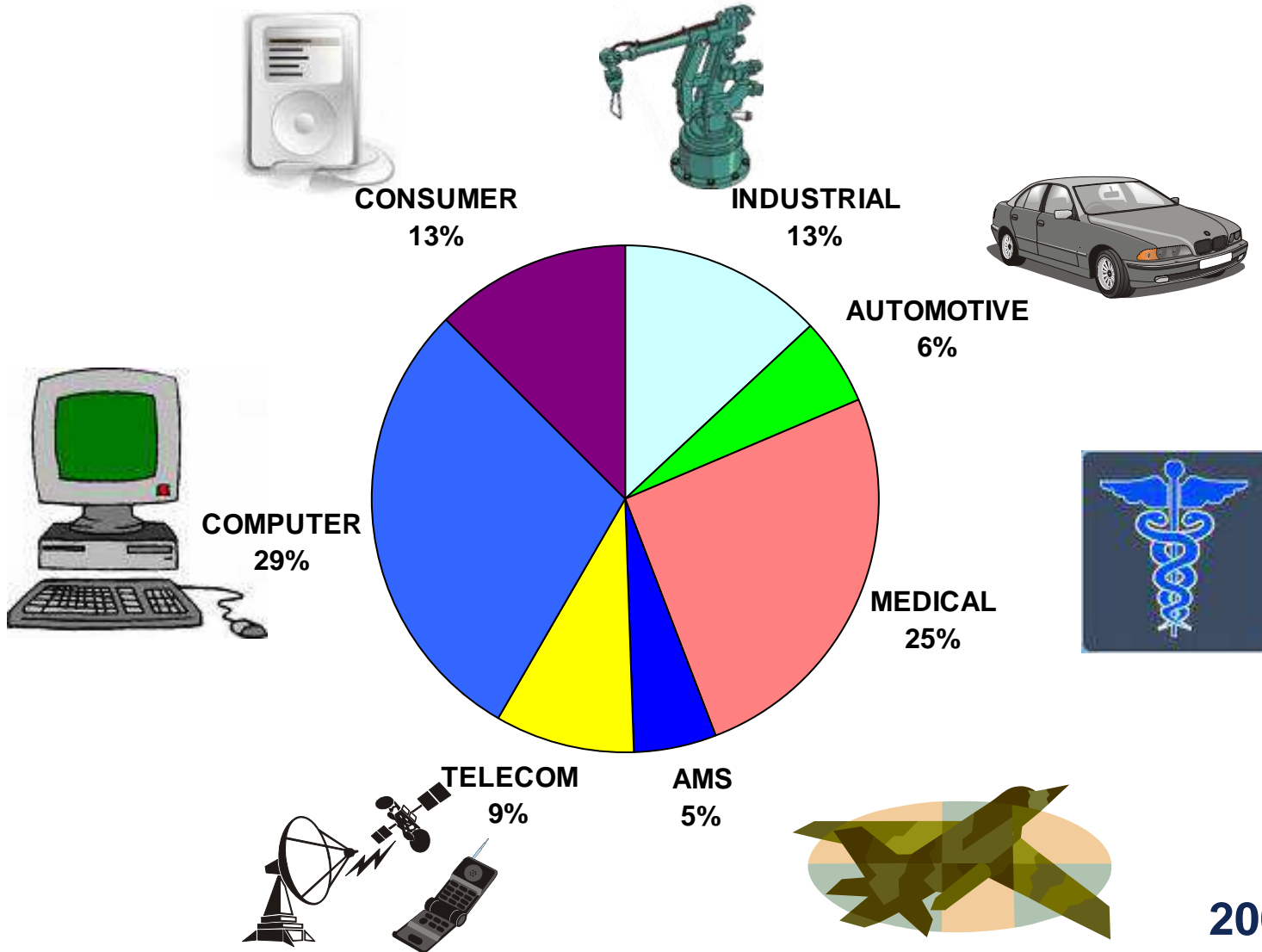


QUALITY CERTIFICATIONS

- AMERICAS: QS-9000, ISO-9001, ISO-9002, ISO-14001 ISO/TS-16949, AQS-9000
- ISRAEL: QS-9000, ISO-9001, ISO-14001, ISO/TS-16949

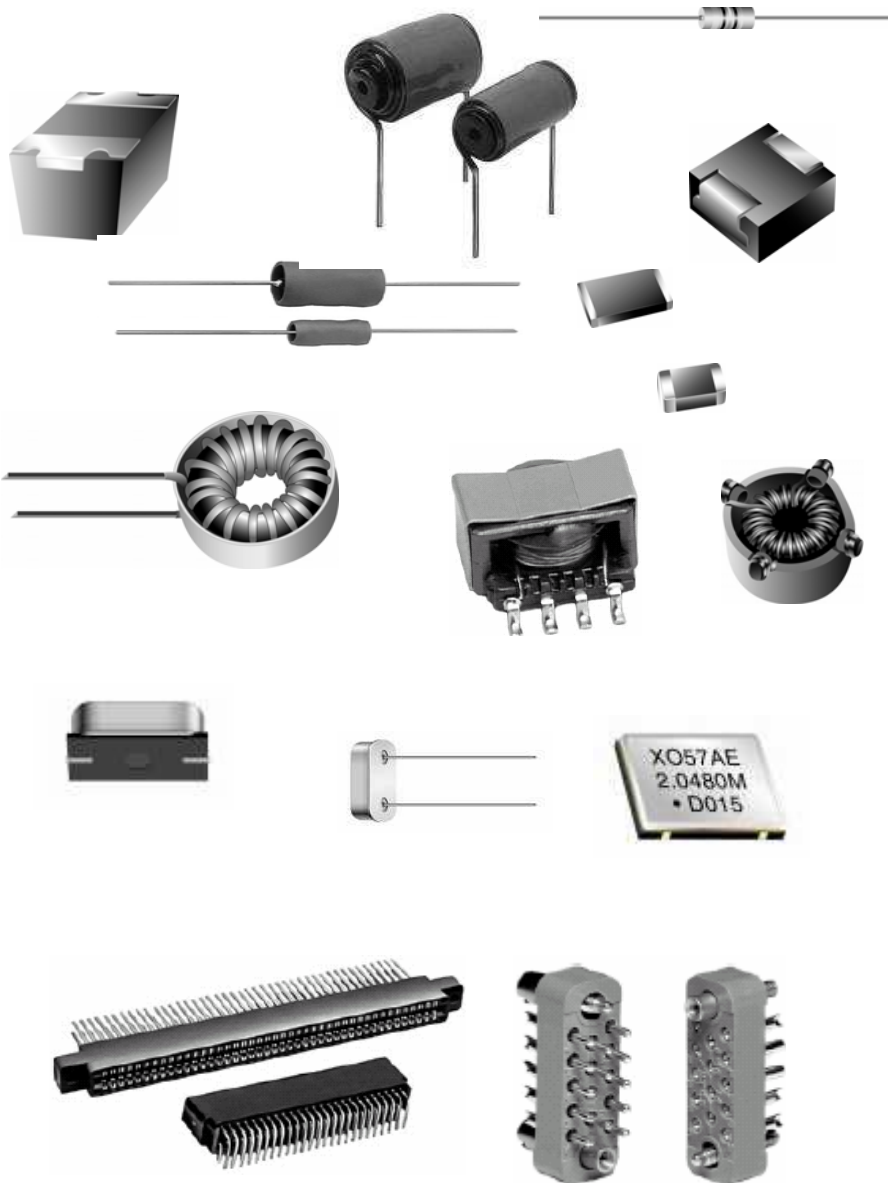
Vishay Dale Inductors

Where We Sell our Products



2008 Data

Vishay Dale Inductors



- Inductors (Two Terminals)
 - SMD Inductors
 - Leaded Inductors
 - Flux Antennas
- Transformers (3 or More Terminals)
 - SMD Transformers
 - Leaded Transformers
 - Aerospace and Military
 - Medical
- Impedance Beads
 - Single
 - Arrays
- Frequency Control
 - SMD and Leaded Crystals and Oscillators
- Connectors
 - Standard Connectors
 - Custom Connectors

New Products



- IHLP and IFLP Power Inductors

- Widest Range of Size and Values
- New 6767 Size Now Available
- Current Rating Up to 100 A
- Values Up to 100 μ H

- IHTH Power Inductor

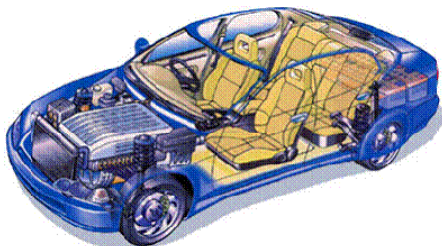
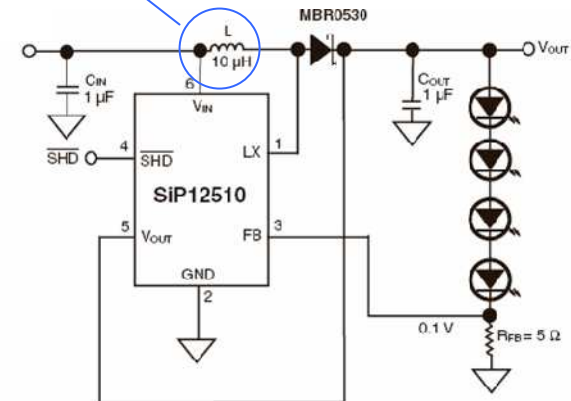
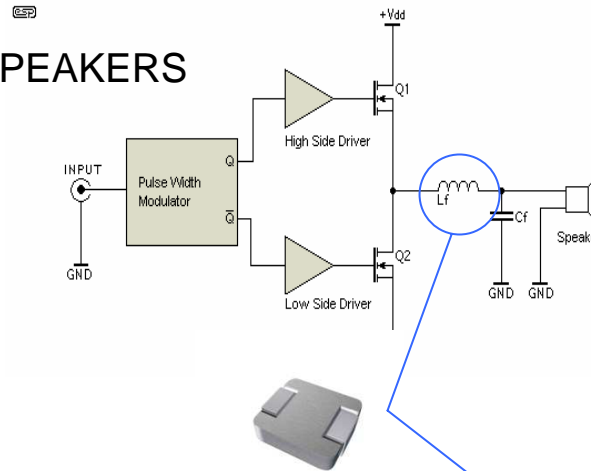
- 155+ deg C Operation
- Excellent Saturation
- Up to 2X Size Reduction over Toroids and Other Magnetic Shapes

- TJ5-HR and TJ3-HT 200 deg C Operation

- Standard Toroid Series
- High-Temperature
- Values Up to 470 μ H
- Rated Current Up to 30 A
- Horizontal and Vertical Mount Available

Power Inductor Applications

- DC/DC CONVERTERS – POWER SUPPLIES
 - COMPUTERS – NOTEBOOKS, GRAPHICS, SERVERS
- CLASS “D” AMPLIFIERS
 - LCD TVs AND PORTABLE MP3 SPEAKERS
- LED DRIVER POWER
 - DLP TVs
 - LCD BACKLIGHTS
- AUTOMOTIVE
 - DC/DC CONVERTERS
 - FILTERS FOR NOISE SUPPRESSION
 - HID LIGHTING
 - MOTORS – HVAC, WIPER, POWER ACCESSORIES

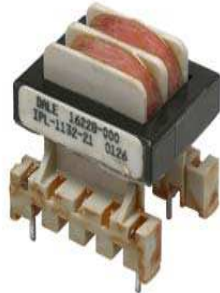


Main Products



• Custom Magnetics

- Sizes up to 100VA
- Wire Sizes: #8 to #50 AWG
- Extensive Medical Design Experience
- Extensive Aerospace and Military Experience
- FAE Software to Aid in Design
- Low-Cost North American Manufacturing Site

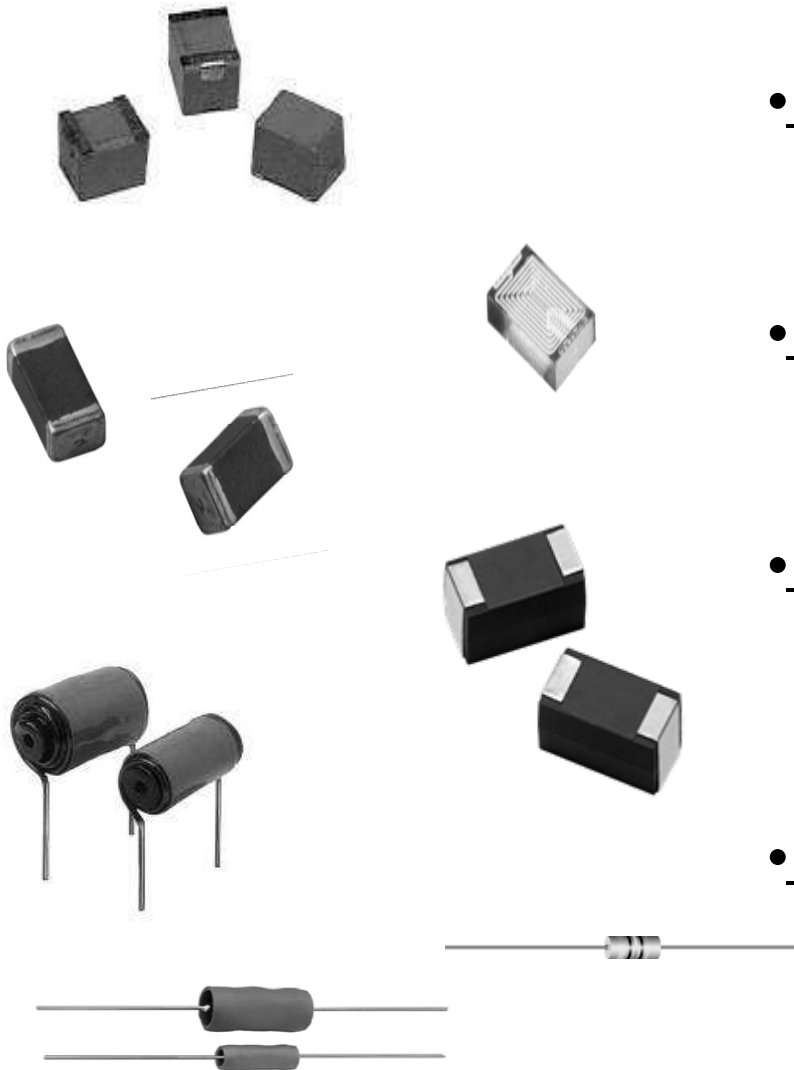


Main Products

- Standard and Custom Connectors
 - Edgeboard
 - Rack and Panel
 - High-Reliability Military and Aerospace



Main Products



- Chip Inductors

- Wide Range of Sizes and Values
- Up to 2-GHz Operation

- Shield Beads

- Many Sizes and Values Down to 0402
- Array and High Current

- IHSM Power/RF Inductors

- Values to 18 mH
- Completely Encapsulated for High Reliability
- Compliant Leads for Shock and Thermal Stability

- Axial Products

- Full Line of RF and Power Through-Hole Products
- Available in Pb-Free and Pb-Bearing Versions

Featured Inductor Products

New Sizes / Footprints Available in IHLP® Series

IHLP-2020AB / IHLP-2020BZ / IHLP-2020CZ
IHLP-6767CZ / IHLP-6767DZ / IHLP-6767GZ

FEATURES

- Shielded construction
- Frequency range: up to 5 MHz
- Excellent inductance and saturation stability versus temperature
- Standard inductance values: up to 22 μ H
- Current rating: up to 100 A
- 100 % lead (Pb)-free and RoHS-compliant

APPLICATIONS

- Automotive
- PDA / notebook / desktop / server applications
- Low-profile, high-current power supplies
- DC/DC converters



High-Current, High-Temperature Toroidal Inductors

TJ3-HT / TJ5-HT

FEATURES

- High temperature rating of 200 °C with no aging
- Toroid design reduces EMI
- Vertical and horizontal mounting options
- 100 % lead (Pb)-free and RoHS-compliant

APPLICATIONS

- Switching power supplies
- EMI / RFI filtering
- Output chokes
- Automotive
- Deep-well drilling



High-Current, High-Temperature Inductors

IHTH-0750 / IHTH-1125

FEATURES

- +155 °C operation
- Shielded construction
- Frequency range: up to 1 MHz
- Handles high transient current spikes without saturation
- 100 % lead (Pb)-free and RoHS-compliant

APPLICATIONS

- Automotive
- Deep-well drilling
- Desktop / server applications
- Line filters



Vishay Dale Inductors



- Visit www.vishay.com/inductors for more information