



HESTORE.HU

elektronikai alkatrész áruház

EN: This Datasheet is presented by the manufacturer.

Please visit our website for pricing and availability at www.hestore.hu.



SMD Quartz Crystal - SMD 5032 - 4 Pads

4 Pad Version - 5.0 x 3.2 x 0.9mm

• Features

- Small size
- Tight tolerance and Stability
- RoHS compliant

• General Specification

Type	SMD 5.0 x 3.2 - 4 Pads
Frequency Range	12.000MHz to 40.000MHz
Frequency Tolerance at 25°C	$\pm 10\text{ppm}$ to $\pm 100\text{ppm}$
Frequency Stability	$\pm 10\text{ppm}$ to $\pm 100\text{ppm}$
Operating Temperature	-10 °C to +60 °C *
Load Capacitance	6pF to 50pF or Series
Shunt Capacitance	<7pF
Storage Temperature	-40°C to +85°C *
Drive Level	100uW *
Aging	$\pm 5\text{ppm}$ first year max

* Can be changed according to Customer's requirement.

• Drive Level Codes (mW)

A = 0.1	B = 0.2	D = 0.05	E = 0.3	G = 0.5	I = 0.01
---------	---------	----------	---------	---------	----------

• Load Capacitance Codes

12pF = A	12.5pF = B	14pF = C	16pF = D	17pF = E	18pF = F
20pF = G	25pF = H	30pF = I	32pF = J	33pF = K	Series = L
13pF = M	27pF = N	50pF = O	10pF = P	15pF = Q	22pF = R
15.8pF = S	8.5pF = T	8.2pF = U	40pF = V	9pF = W	11pF = X
13.8pF = Y	19.6pF = Z	6pF = a	7pF = d	8pF = e	19pF = f

• Operating Temperature Codes (°C)

A = -10 to +60	B = -20 to +70	C = -10 to +70	I = -40 to +85	X = -30 to +80	W = -10 to +50
----------------	----------------	----------------	----------------	----------------	----------------

• Frequency Tolerance & Frequency Stability Codes (ppm)

P = ± 10	S = ± 20	T = ± 30	U = ± 50	V = ± 100	W = ± 5
--------------	--------------	--------------	--------------	---------------	-------------

SMD Quartz Crystal - SMD 5032 - 4 Pads

• Frequency Stability vs. Operating Temperature

	± 10ppm	± 20ppm	± 30ppm	± 50ppm	± 100ppm
-10°C - +60°C	⊙	⊙	●	⊙	⊙
-10°C - +70°C	⊙	⊙	●	⊙	⊙
-20°C - +70°C	⊙	⊙	●	●	⊙
-40°C - +85°C			⊙	●	⊙

⊙ Available ● Standard

• ESR (Series Resistance Rs) vs Standard Frequency, Vibration Mode & Codes

Frequency Range (MHz)	ESR Max (Ω)	Code	Vibration Mode	Code
12.000 - 13.999	80	0	AT Fund	A
14.000 - 19.999	60	1	AT Fund	A
20.000 - 29.999	50	2	AT Fund	A
30.000 - 40.000	40	4	AT Fund	A

• Marking

Frequency + M (MHz) + Date code (Year Code + Month Code)

NEWXTAL (Company Brand)

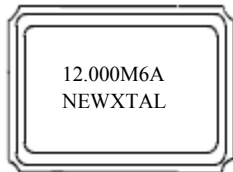
Year Code:

2001	2002	2003	2004	2005	2006	2007	2008	2009	2010	2011	2012
1	2	3	4	5	6	7	8	9	10	11	12

Month Code:

Jan	Feb.	Mar	April	May	June	July	Aug.	Sept	Oct	Nov	Dec
A	B	C	D	E	F	G	H	I	J	K	L

For Example:



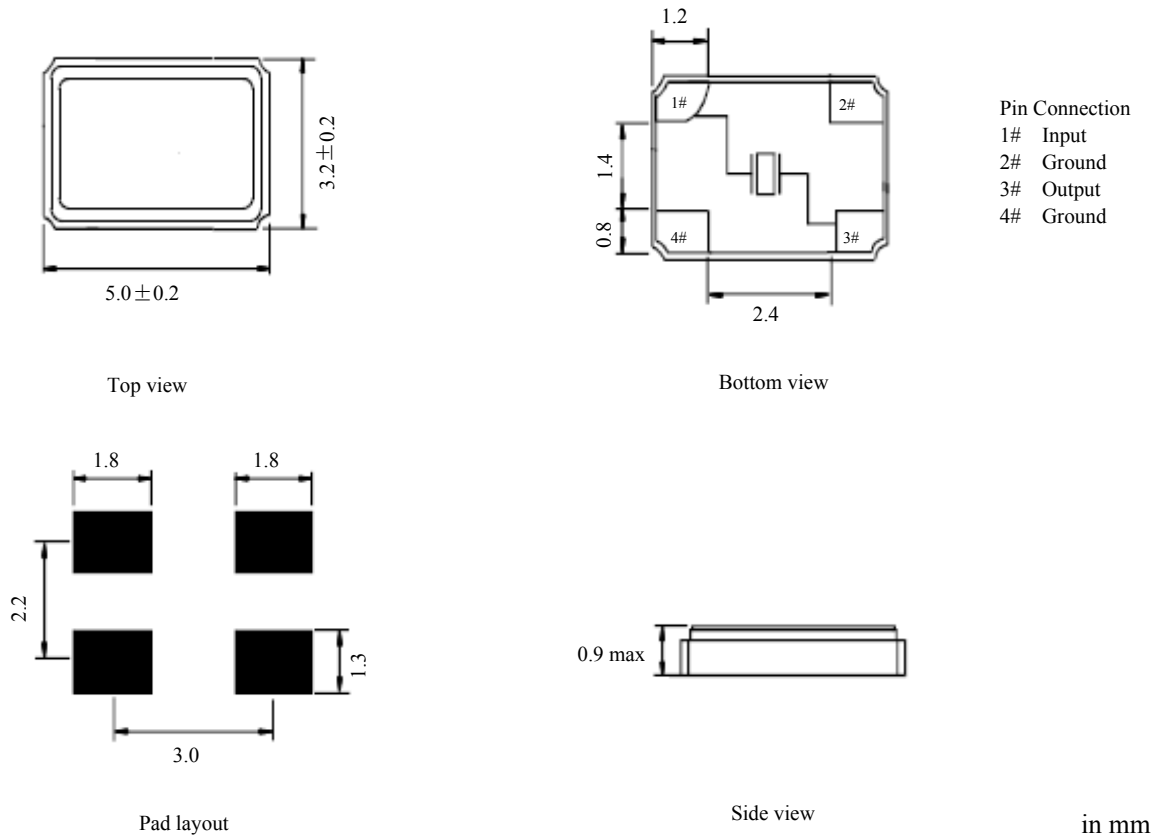
SMD Quartz Crystal - SMD 5032 - 4 Pads

Ordering Information

SMD	Terminal	Size	Drive Level	Load Capacitance	Operating Temperature	Frequency Tolerance	Frequency Stability	ESR	Vibration Mode	Frequency	Lead-free	Packing
			(mW)	(pF)	(°C)	(ppm)	(ppm)	(Ω)		(MHz)		
SMD Crystal	0=2 Pads 1=4 Pads	C=5.0x3.2	See Tables							xx.xxxM	LF=leadfree	TR=tape & reel
			0.1	16	-10 to +60	±10	±10	80	AT Fund			
S	1	C	A	D	A	P	P	0	A		LF	TR

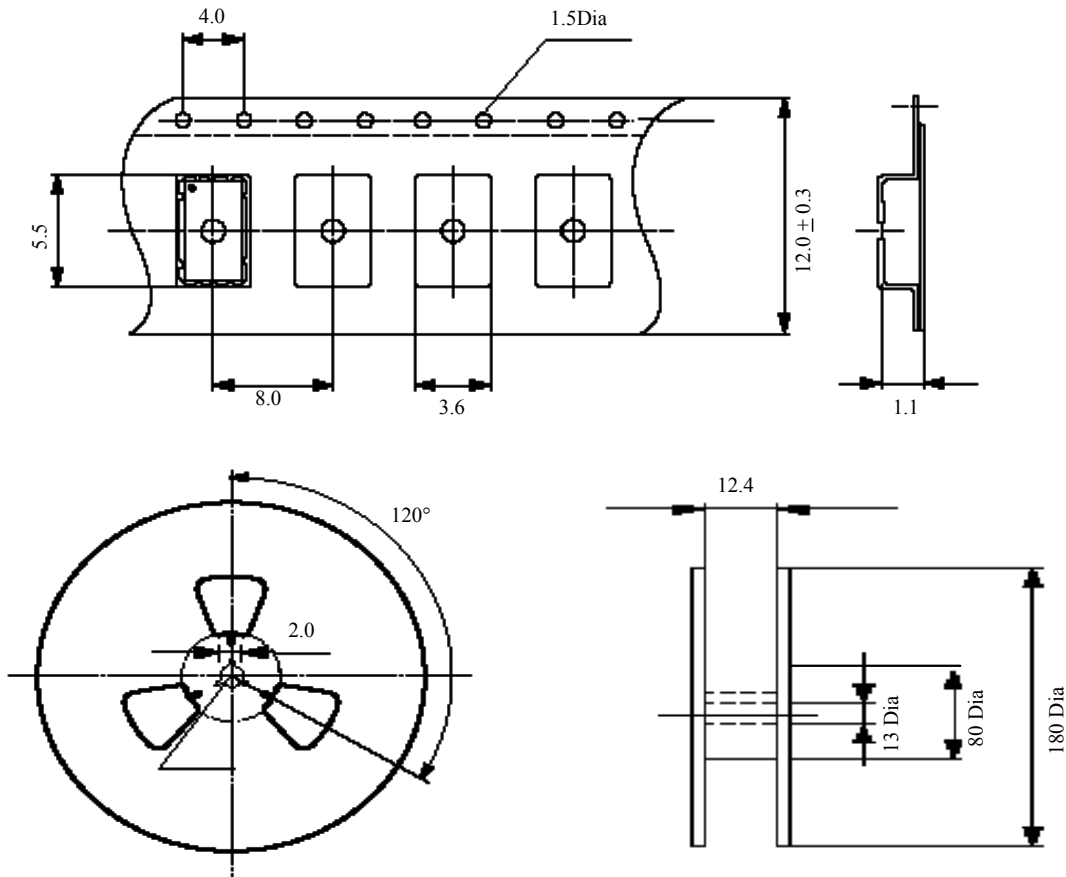
For Example: **S1CADAPP0A-12.000MLF/TR**

Dimensions



SMD Quartz Crystal - SMD 5032 - 4 Pads

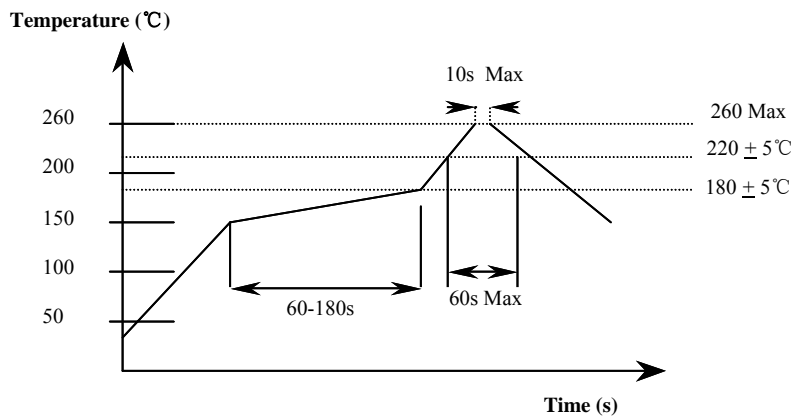
• Taping Specification



* Reel Quantity: 1,000pcs

in mm

• Reflow Soldering Profile



NEWXTAL - New Crystal World

Website: www.newxtal.com

Email: hkcrystal@incnets.com