



HESTORE.HU

elektronikai alkatrész áruház

EN: This Datasheet is presented by the manufacturer.

Please visit our website for pricing and availability at www.hestore.hu.

SMD ▪ B

15-21/W1D-APQHY/2T

Features

- Package in 8mm tape on 7

EVERLIGHT

- Telecommunication: indicator and backlighting in telephone and fax.
- Flat backlight for LCD, switch and symbol.
- General use.

EVERLIGHT

Device Selection Guide

| Chip Materials | Emitted Color | Resin Color |
|-------------------|---------------|-----------------|
| InGaN | White | Yellow Diffused |

Absolute Maximum Ratings (Ta=25)

EVERLIGHT

Electro-Optical Characteristics (Ta=25)

EVERLIGHT

Bin Range of Luminous Intensity

| Bin Code | Min. | Max. | Unit | Condition |
|----------|------|-------|------|---------------------|
| P | 45.0 | 72.0 | mcd | I _F =5mA |
| Q | 72.0 | 112.0 | | |

Bin Range Of Forward Voltage

| Bin Code | Min. | Max. | Unit | Condition |
|----------|------|------|------|---------------------|
| 15 | 2.70 | 2.85 | V | I _F =5mA |
| 16 | 2.85 | 3.00 | | |
| 17 | 3.00 | 3.15 | | |

Note:

1. Tolerance of Luminous Intensity: ±11
2. Tolerance of Forward Voltage: ±0.1V

EVERLIGHT

Chromaticity Coordinates Specifications for Bin Grading

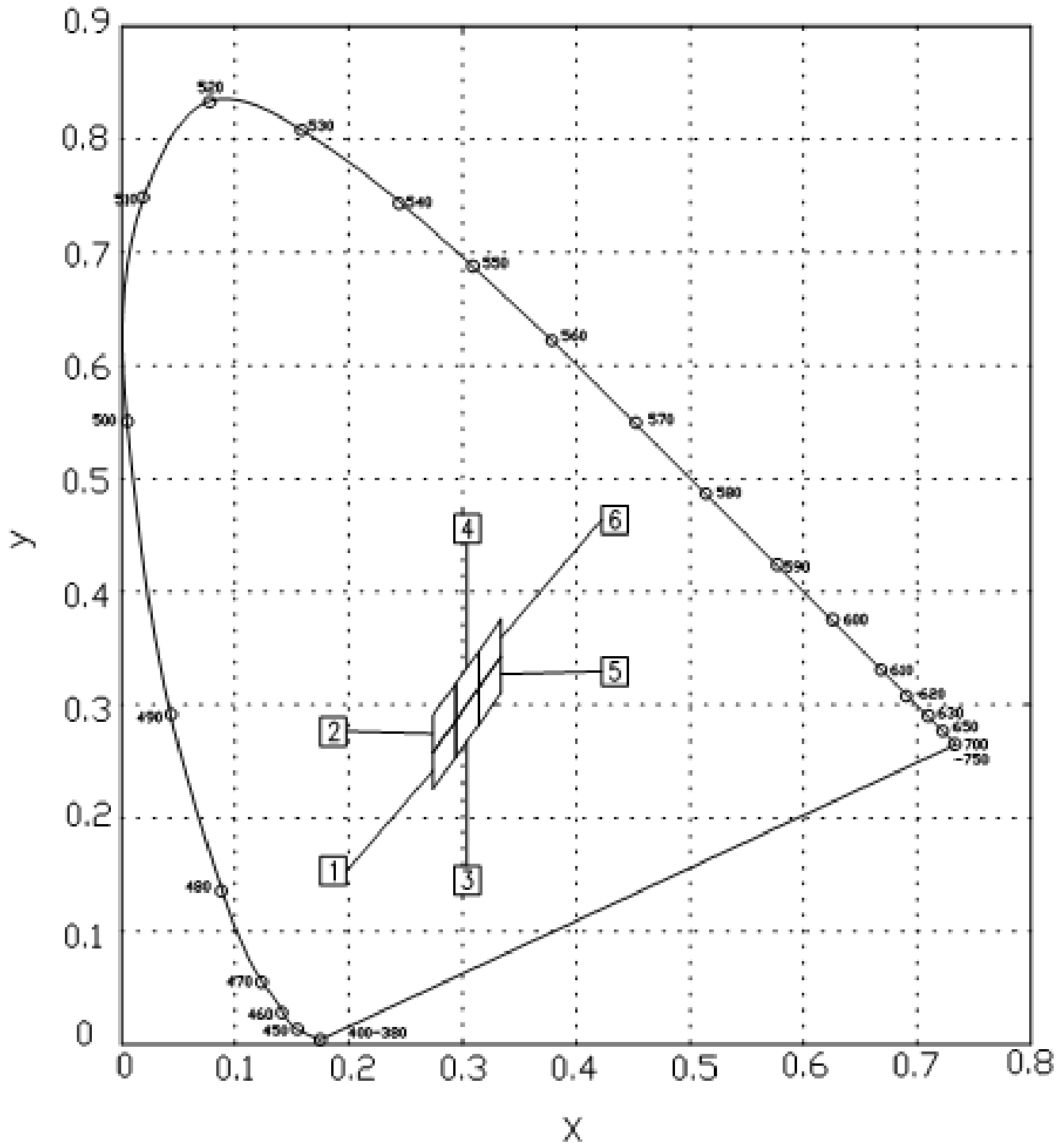
| Bin Code | CIE_x | CIE_y | Condition |
|----------|-------|-------|---------------------|
| 1 | 0.274 | 0.226 | I _F =5mA |
| | 0.274 | 0.258 | |
| | 0.294 | 0.286 | |
| | 0.294 | 0.254 | |
| 2 | 0.274 | 0.258 | |
| | 0.274 | 0.291 | |
| | 0.294 | 0.319 | |
| | 0.294 | 0.286 | |
| 3 | 0.294 | 0.254 | |
| | 0.294 | 0.286 | |
| | 0.314 | 0.315 | |
| | 0.314 | 0.282 | |
| 4 | 0.294 | 0.286 | |
| | 0.294 | 0.319 | |
| | 0.314 | 0.347 | |
| | 0.314 | 0.315 | |
| 5 | 0.314 | 0.282 | |
| | 0.314 | 0.315 | |
| | 0.334 | 0.343 | |
| | 0.334 | 0.311 | |
| 6 | 0.314 | 0.315 | |
| | 0.314 | 0.347 | |
| | 0.314 | 0.376 | |
| | 0.314 | 0.343 | |

Notes:

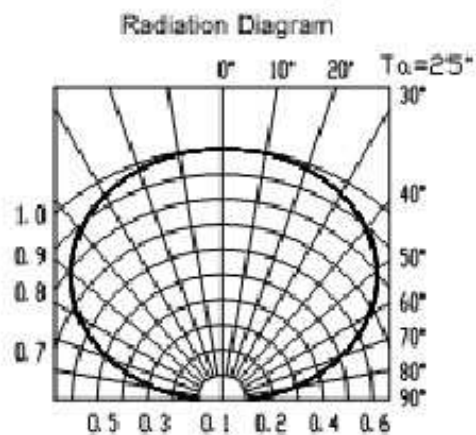
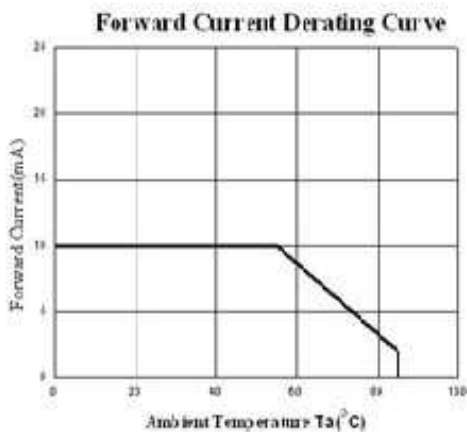
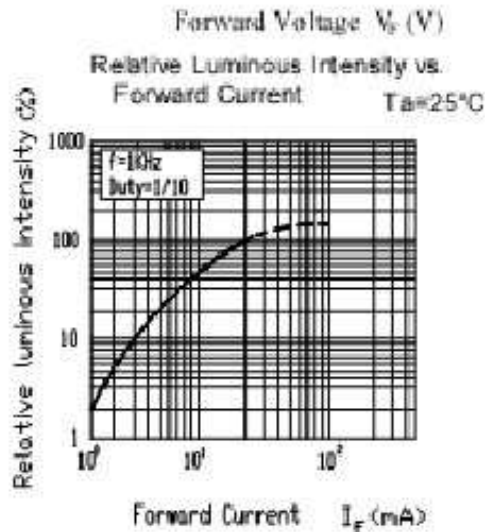
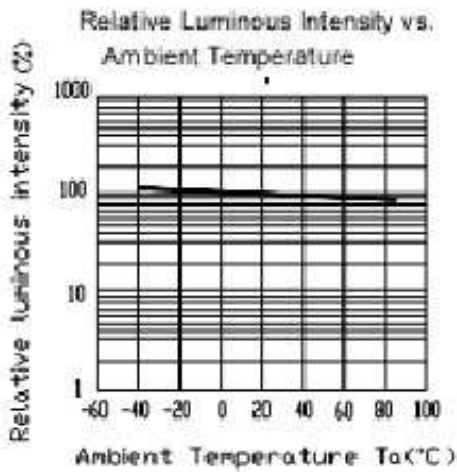
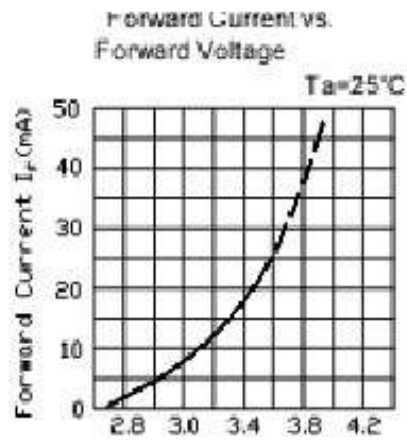
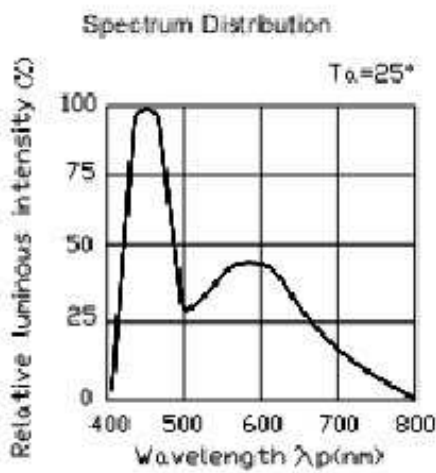
1.The C.I.E. 1931 chromaticity diagram (Tolerance

CIE Chromaticity Diagram

EVERLIGHT

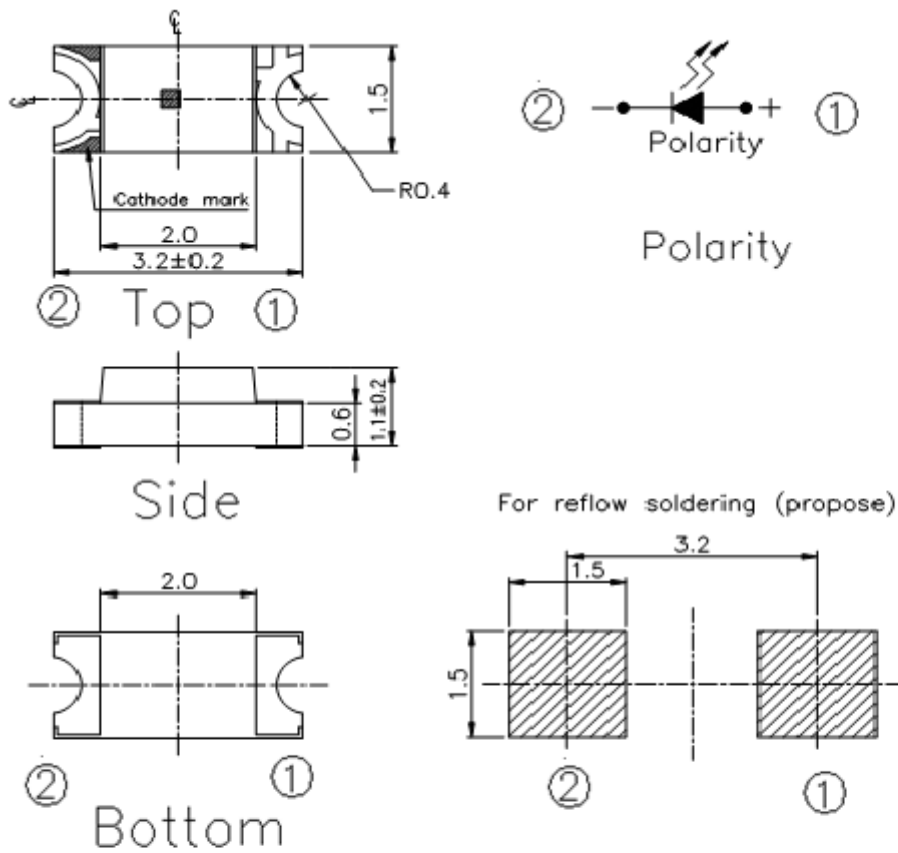


Typical Electro-Optical Characteristics Curves



EVERLIGHT

Package Dimension



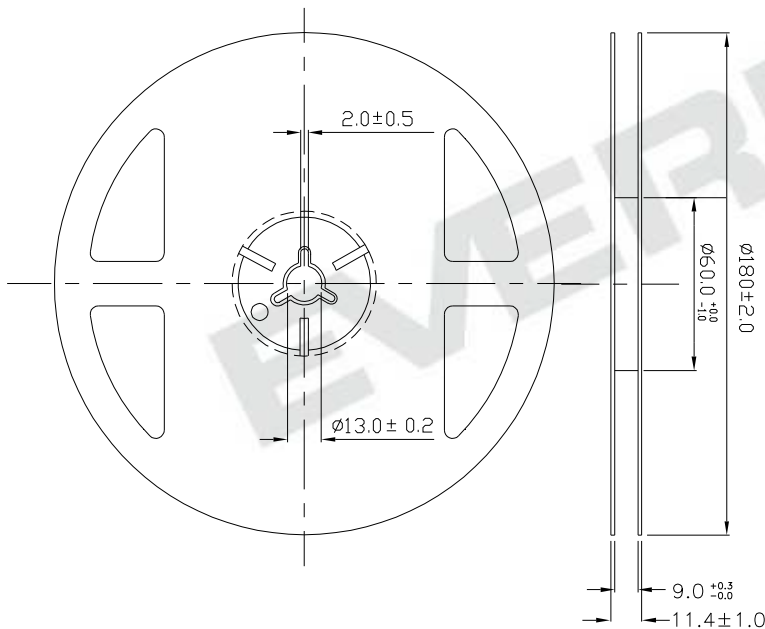
Suggested pad dimension is just for reference only.
Please modify the pad dimension based on individual need.

Note: Tolerances unless mentioned ± 0.1 mm. Unit = mm

Label Explanation

- CPN: Customer's Product Number
- P/N: Product Number
- QTY: Packing Quantity
- CAT: Luminous Intensity Rank
- HUE: Chromaticity Coordinates & Dom. Wavelength Rank
- REF: Forward Voltage Rank
- LOT No: Lot Number

Reel Dimensions



Note: The tolerances unless mentioned is

Carrier Tape Dimensions: Loaded quantity 2000PCS per reel

Note: The tolerances unless mentioned is

EVERLIGHT

Precautions For Use

1. Over-current-proof

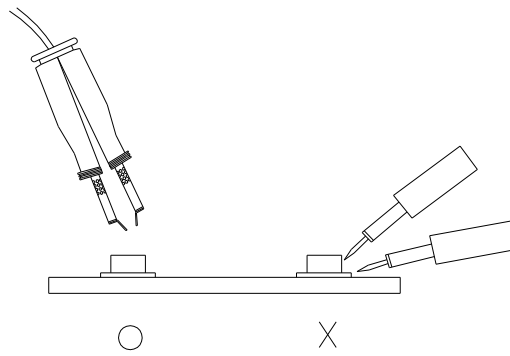
Customer must apply resistors for protection, otherwise slight voltage shift will cause big current change (Burn out will happen).

2. Storage

2.1 Do not open moisture proof bag before the products are ready to use.

2.2 Before opening the package: The LEDs should be kept at 30

EVERLIGHT



EVERLIGHT

Application Restrictions

High reliability applications such as military/aerospace, automotive safety/security systems, and medical equipment may require different product. If you have any concerns, please contact Everlight before using this product in your application. This specification guarantees the quality and performance of the product as an individual component. Do not use this product beyond the specification described in this document.

EVERLIGHT