



HESTORE.HU

elektronikai alkatrész áruház

EN: This Datasheet is presented by the manufacturer.

Please visit our website for pricing and availability at www.hestore.hu.

NPN SILICON POWER TRANSISTOR 2SD882

DESCRIPTION The 2SD882 is NPN silicon transistor suited for the output stage of 3 watts audio amplifier, voltage regulator, DC-DC converter and relay driver.

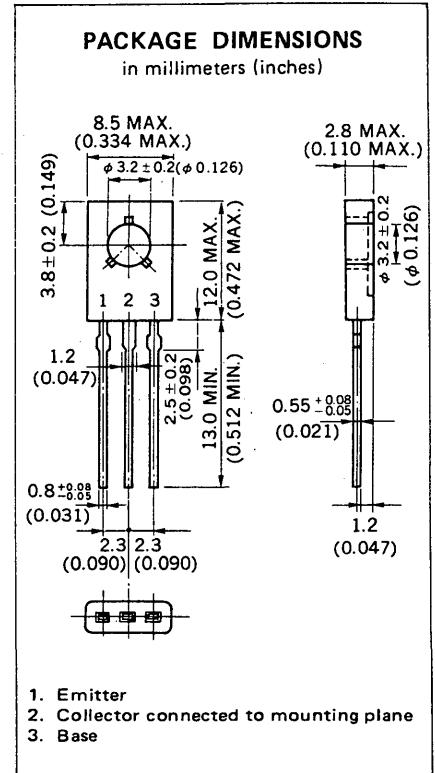
FEATURES

- Low saturation voltage.
 $V_{CE(sat)} \leq 0.5 \text{ V}$ (@ $I_C = 2 \text{ A}$, $I_B = 0.2 \text{ A}$)
- Excellent h_{FE} linearity and high h_{FE} .
 $h_{FE} : 60 \text{ to } 400$ (@ $V_{CE} = 2 \text{ V}$, $I_C = 1 \text{ A}$)
- Less cramping space required due to small and thin package and reducing the trouble for attachment to a radiator.
No insulator bushing required.

ABSOLUTE MAXIMUM RATINGS

- Maximum Temperatures
- Storage Temperature $-55 \text{ to } +150 \text{ }^\circ\text{C}$
 - Junction Temperature $150 \text{ }^\circ\text{C}$ Maximum
- Maximum Power Dissipations
- Total Power Dissipation ($T_a = 25 \text{ }^\circ\text{C}$) 1.0 W
 - Total Power Dissipation ($T_c = 25 \text{ }^\circ\text{C}$) 10 W
- Maximum Voltages and Currents ($T_a = 25 \text{ }^\circ\text{C}$)
- V_{CBO} Collector to Base Voltage 40 V
 - V_{CEO} Collector to Emitter Voltage 30 V
 - V_{EBO} Emitter to Base Voltage 5.0 V
 - $I_{C(DC)}$ Collector Current (D.C.) 3.0 A
 - $I_{C(pulse)}$ * Collector Current (pulse) 7.0 A

*Pulse Test $PW \leq 350 \mu\text{s}$, Duty Cycle $\leq 2 \%$



ELECTRICAL CHARACTERISTICS ($T_a = 25 \text{ }^\circ\text{C}$)

SYMBOL	CHARACTERISTIC	MIN.	TYP.	MAX.	UNIT	TEST CONDITIONS
h_{FE1}	DC Current Gain	30	150			$V_{CE} = 2.0 \text{ V}$, $I_C = 20 \text{ mA}^{**}$
h_{FE2}	DC Current Gain	60	160	400		$V_{CE} = 2.0 \text{ V}$, $I_C = 1.0 \text{ A}^{**}$
f_T	Gain Bandwidth Product		90		MHz	$V_{CE} = 5.0 \text{ V}$, $I_C = 0.1 \text{ A}$
C_{ob}	Output Capacitance		45		pF	$V_{CB} = 10 \text{ V}$, $I_E = 0$, $f = 1.0 \text{ MHz}$
I_{CBO}	Collector Cutoff Current			1.0	μA	$V_{CB} = 30 \text{ V}$, $I_E = 0$
I_{EBO}	Emitter Cutoff Current			1.0	μA	$V_{EB} = 3.0 \text{ V}$, $I_C = 0$
$V_{CE(sat)}$	Collector Saturation Voltage		0.3	0.5	V	$I_C = 2.0 \text{ A}$, $I_B = 0.2 \text{ A}^{**}$
$V_{BE(sat)}$	Base Saturation Voltage		1.0	2.0	V	$I_C = 2.0 \text{ A}$, $I_B = 0.2 \text{ A}^{**}$

**Pulse Test : $PW \leq 350 \mu\text{s}$, Duty Cycle $\leq 2 \%$

Classification of h_{FE}

Rank	R	Q	P	E
Range	60 to 120	100 to 200	160 to 320	200 to 400

Test Conditions : $V_{CE} = 2.0 \text{ V}$, $I_C = 1.0 \text{ A}$

TYPICAL CHARACTERISTICS ($T_a = 25^\circ\text{C}$)

