







HESTORE.HU

elektronikai alkatrész áruház

EN: This Datasheet is presented by the manufacturer.

Please visit our website for pricing and availability at www.hestore.hu.

Rating	10(4)A 250V AC   16A 125V AC 10A 250V AC  	Mounting Hole	
Contact Resistance	50m ohm Max.		
Insulation Resistance	DC 500V 100M ohm Min.	Panel Thickness: 2.0~3.0	
Dielectric Strength	AC 1500V 1 minute	Panel Thickness: 0.7~3.0	
Operation Temperature	-20°~85°		
Operation Force	800g±200g		
Switch Function	4P DPST ON-OFF		

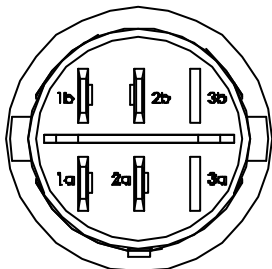
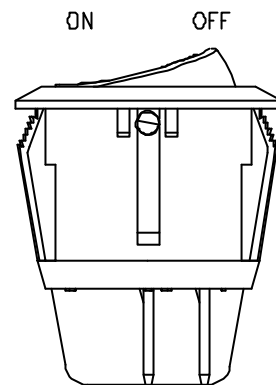
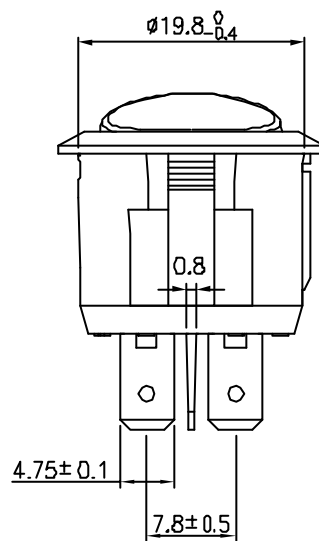
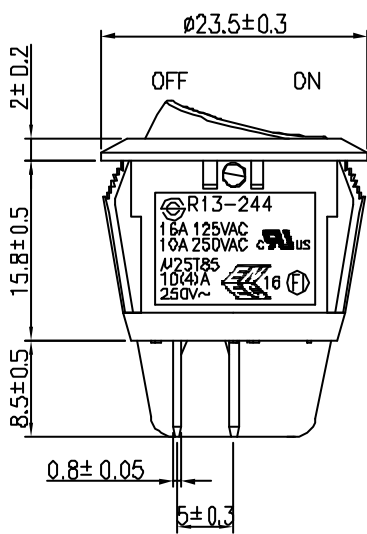
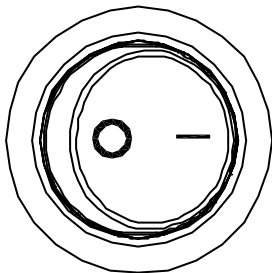
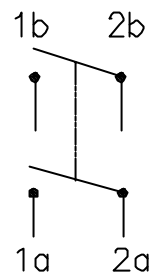
*Material

Frame: Nylon#66, Black


Actuator: Nylon#66, Black

Terminal: Copper alloy, Silver plated

Diagram



C8\R13\R13-244A-02(1822604)_1

07/03/'07	黃衛東	Update the frame's engraving		
Date	Name	Description		NO
Drawn	Checked	Approved	SCI BOM NO. 1822604	Model Name ROCKER SWITCH
黃衛東	李元生	李景煌	Customer No.	Model No. R13-244A-02
07/03/'07	08/28/'07	09/28/'07	Unit mm	REV. 1

 SHIN CHIN INDUSTRIAL CO., LTD.