

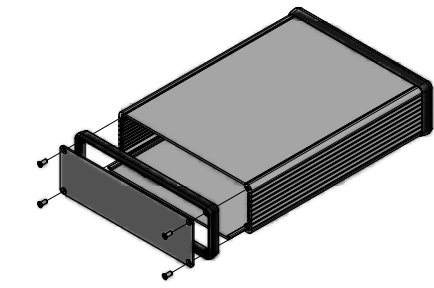
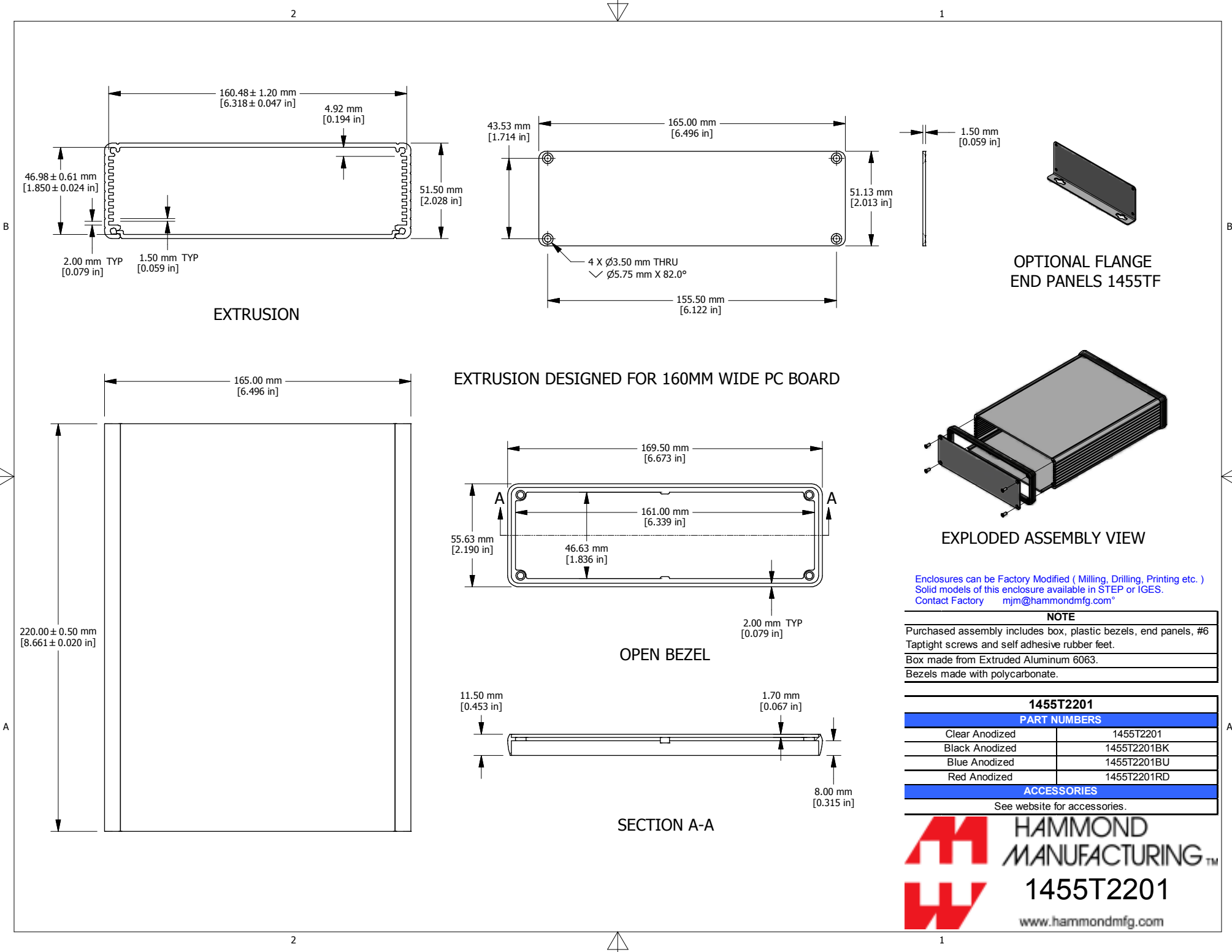


HESTORE.HU

elektronikai alkatrész áruház

EN: This Datasheet is presented by the manufacturer.

Please visit our website for pricing and availability at www.hestore.hu.



EXPLODED ASSEMBLY VIEW

Enclosures can be Factory Modified (Milling, Drilling, Printing etc.)
 Solid models of this enclosure available in STEP or IGES.
 Contact Factory mjm@hammondmfg.com

NOTE
 Purchased assembly includes box, plastic bezels, end panels, #6 Taptight screws and self adhesive rubber feet.
 Box made from Extruded Aluminum 6063.
 Bezels made with polycarbonate.

1455T2201	
PART NUMBERS	
Clear Anodized	1455T2201
Black Anodized	1455T2201BK
Blue Anodized	1455T2201BU
Red Anodized	1455T2201RD
ACCESSORIES	
See website for accessories.	

HAMMOND MANUFACTURING™
1455T2201
www.hammondmfg.com