

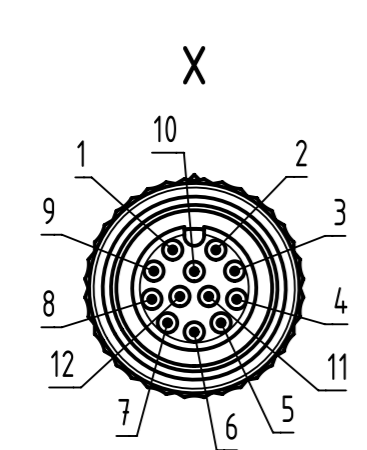
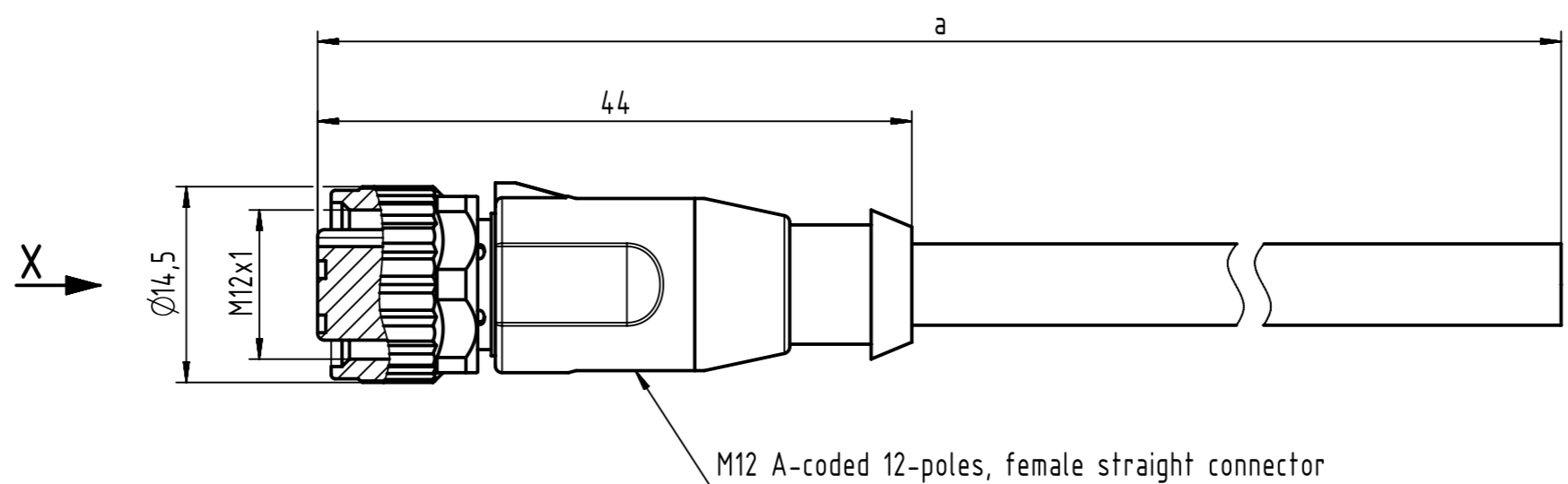


**HESTORE.HU**

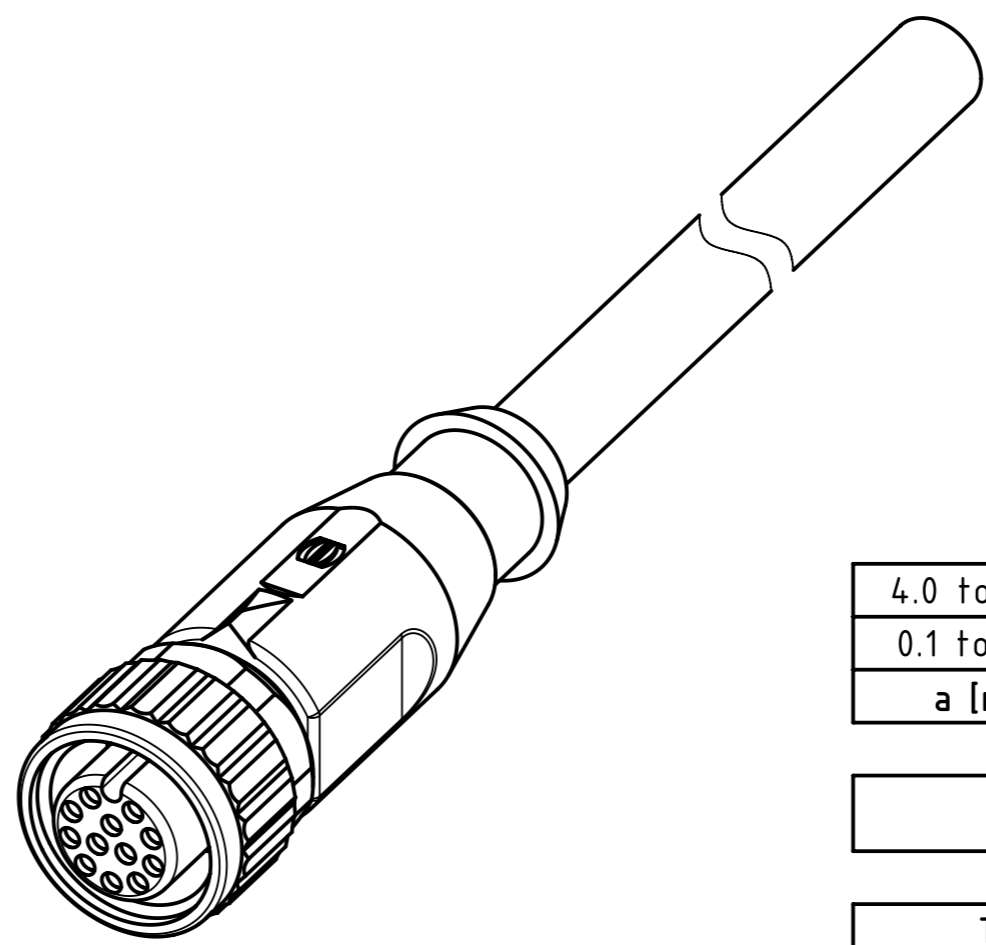
elektronikai alkatrész áruház

**EN:** This Datasheet is presented by the manufacturer.

Please visit our website for pricing and availability at [www.hestore.hu](http://www.hestore.hu).



- Loading-Plan:**
- 1 brown
  - 2 blue
  - 3 white
  - 4 green
  - 5 pink
  - 6 yellow
  - 7 black
  - 8 grey
  - 9 red
  - 10 violet
  - 11 grey-pink
  - 12 red-blue



4.0 to 100	+1%
0.1 to 3.9	+0.04
<b>a [m]</b>	<b>Tolerance</b>

length in "1m" step	100	XXX=000
	99	XXX=990
	.	.
	12	XXX=120
length in "0.1m" step	11	XXX=110
	10	XXX=100
	9.9	XXX=099
	9.8	XXX=098
	.	.
	0.4	XXX=004
	0.3	XXX=003
	0.2	XXX=002
	0.1	XXX=001
<b>Step</b>	<b>a [m]</b>	<b>XXX</b>

<b>Part no.</b>	21348500CXXXXX
-----------------	----------------

<b>Type of cable</b>	XX
PVC grey, 12x0.14mm <sup>2</sup>	XX=79
PUR black, 12x0.14mm <sup>2</sup>	XX=78

- Protection level: IP67  
 - Temperature range: -30°C ... +80°C

	All rights reserved		Scale 2:1		Free size tol.		Ref.	
	Department EC PD - RO		Created by TAMAS	Inspected by AVRAM	Standardisation KOHLER	Date 2014-07-18	State Final Release	
HARTING Electronics GmbH		Title M12 A-coded Cable Assembly				Doc-Key / ECM-Nr. 100583139/UGD/009/A 50000077739		
D-32339 Espelkamp		Type TB	Number 21348500CXXXXX			Rev. A	Page 1/1	