



HESTORE.HU

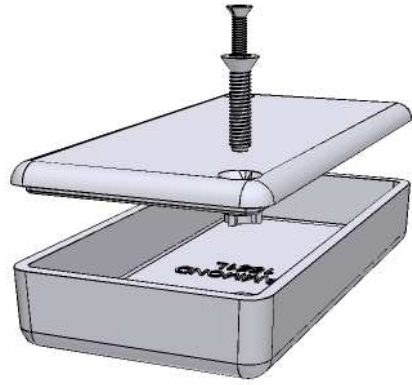
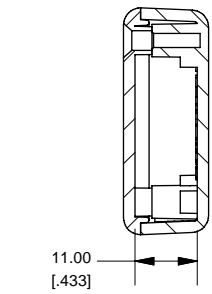
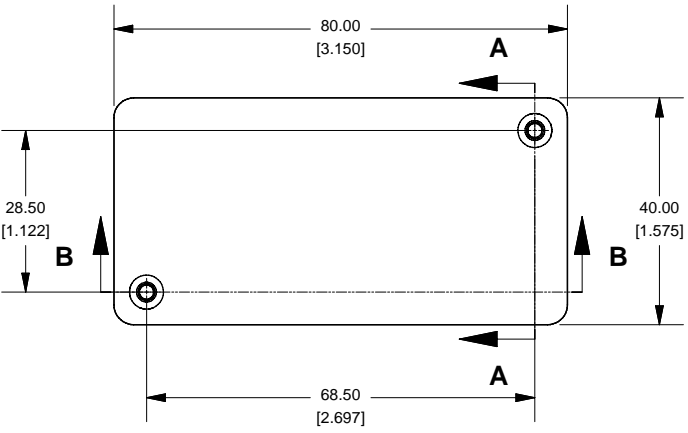
elektronikai alkatrész áruház

EN: This Datasheet is presented by the manufacturer.

Please visit our website for pricing and availability at www.hestore.hu.

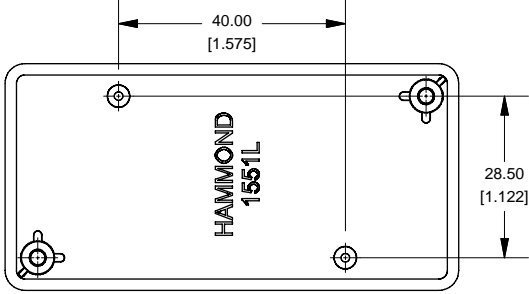
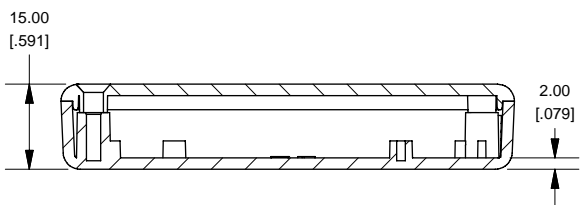
Top View of Assembly

SECTION A-A End View of Assembly



SECTION B-B Side View of Assembly

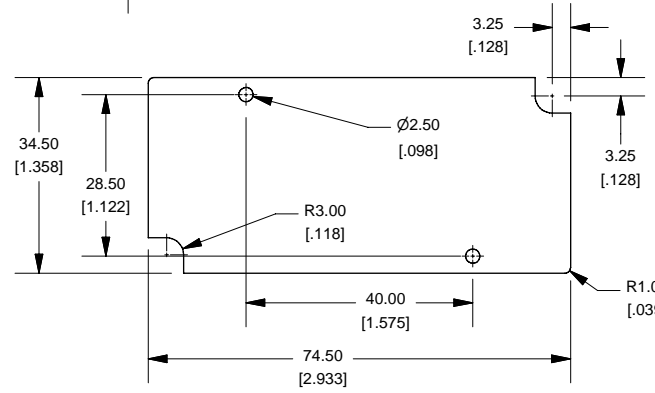
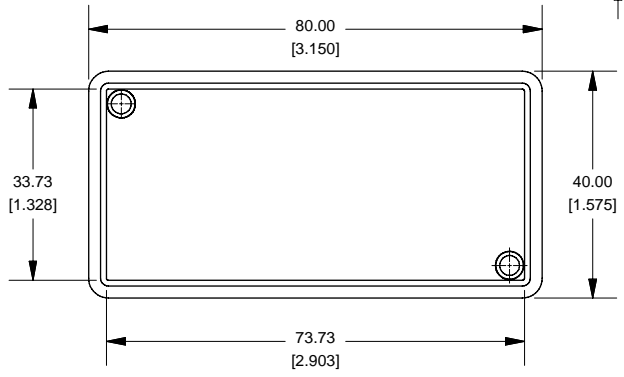
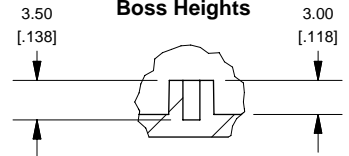
Top View Looking Inside Box



SECTION C-C Boss Heights

Lid

Maximum P.C. Board Size



NOTE
Purchased assembly includes lid and box made from GP ABS material and cover screws.

| 1551L | |
|---|----------------|
| 1551L Enclosure | |
| Black Enclosure - RAL 9011 - UL94 - HB | 1551LBK |
| Gray Enclosure - RAL 7035 - UL94 - HB | 1551LGY |
| Translucent Blue - UL94 - HB | 1551LTBU |
| ACCESSORIES | |
| Recommended Screw Torque: 15-20 ozf.in (10-15 cN.m) | |
| Black Enclosure Cover Screws (Pkg 100) X 1/2" Self Tapping | #4 1591TS100BK |
| Grey Enclosure Cover Screws (Pkg 100) X 1/2" Self Tapping | #4 1591TS100 |
| P.C. Board Screws (Pkg 100) #2 x 3/16" Self Tapping | 1551ATS100 |

