

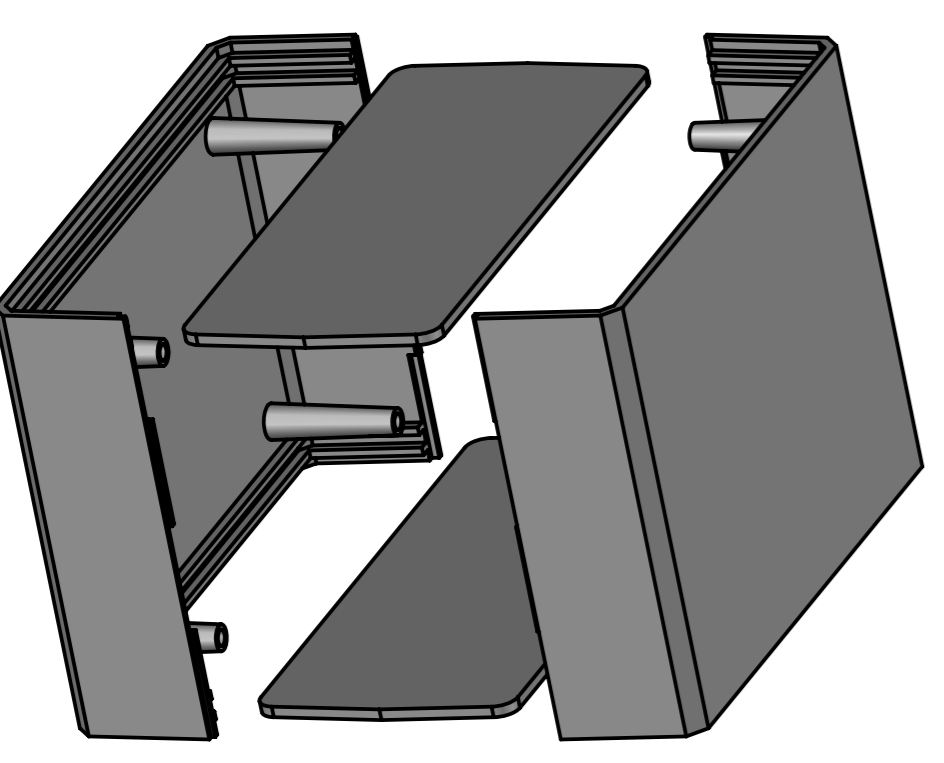
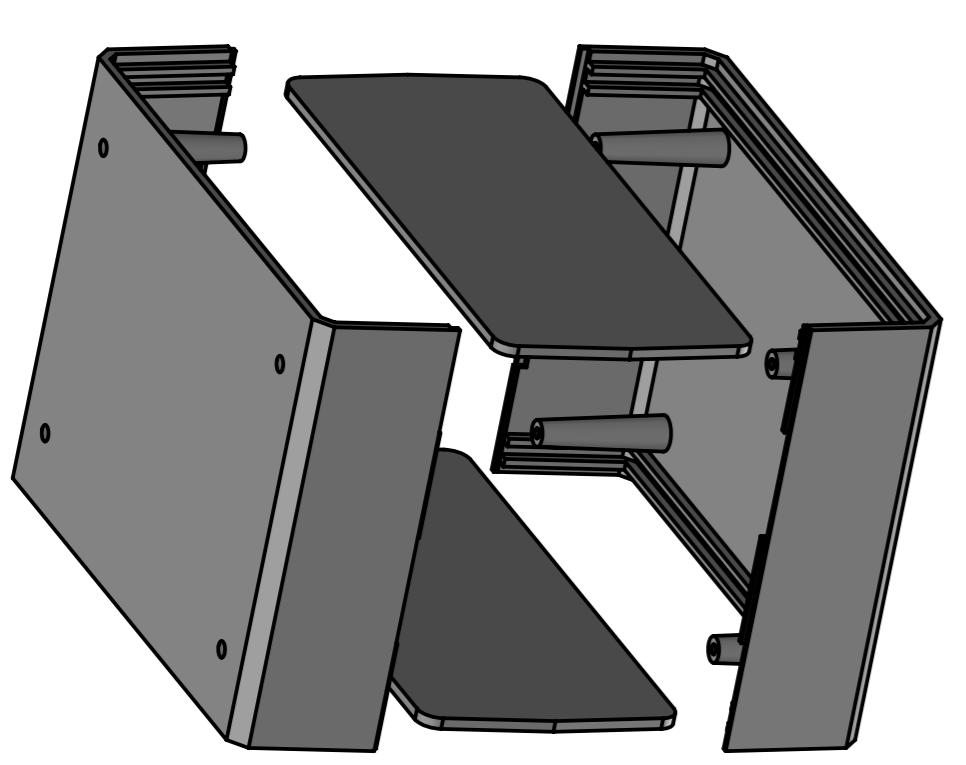
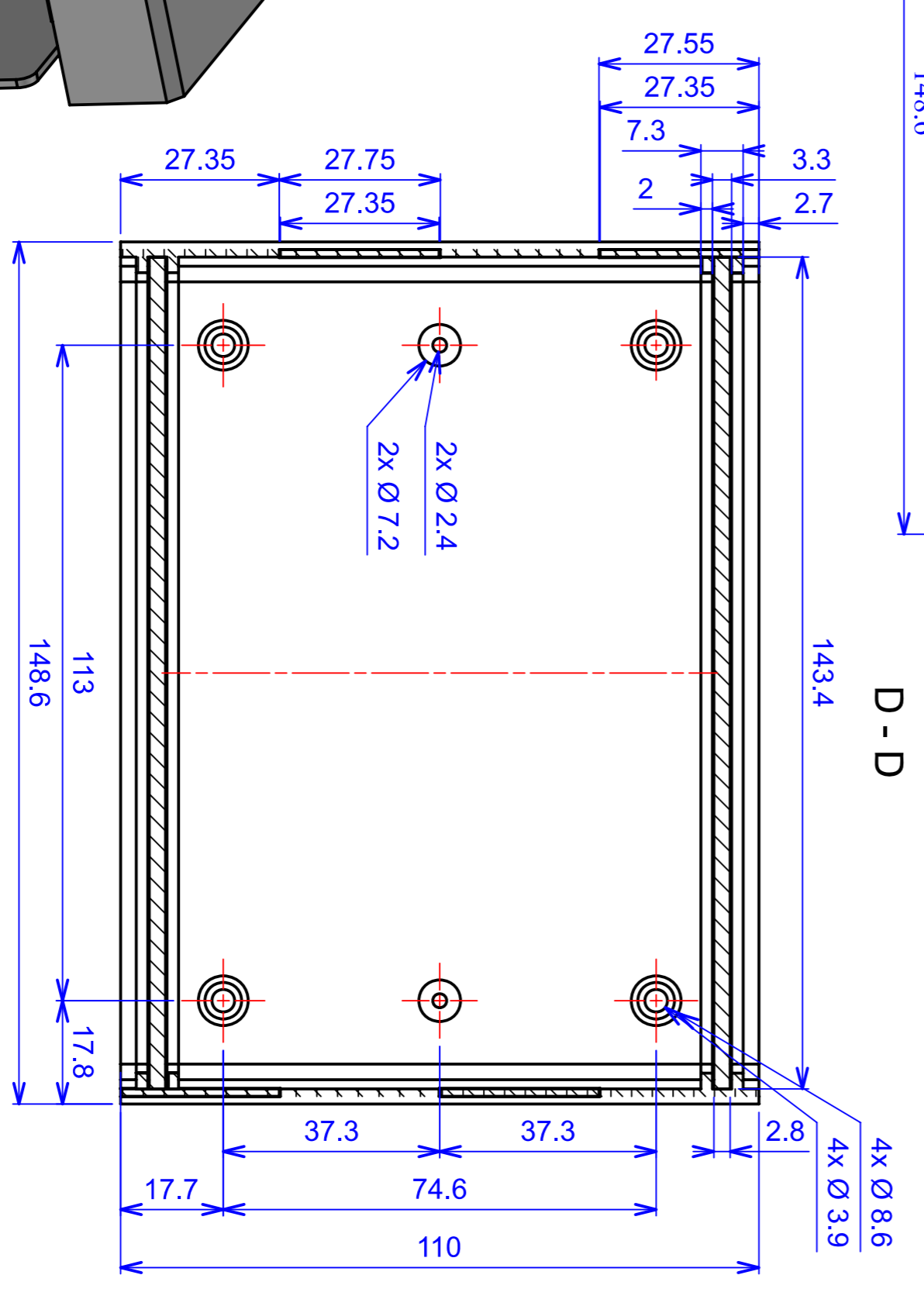
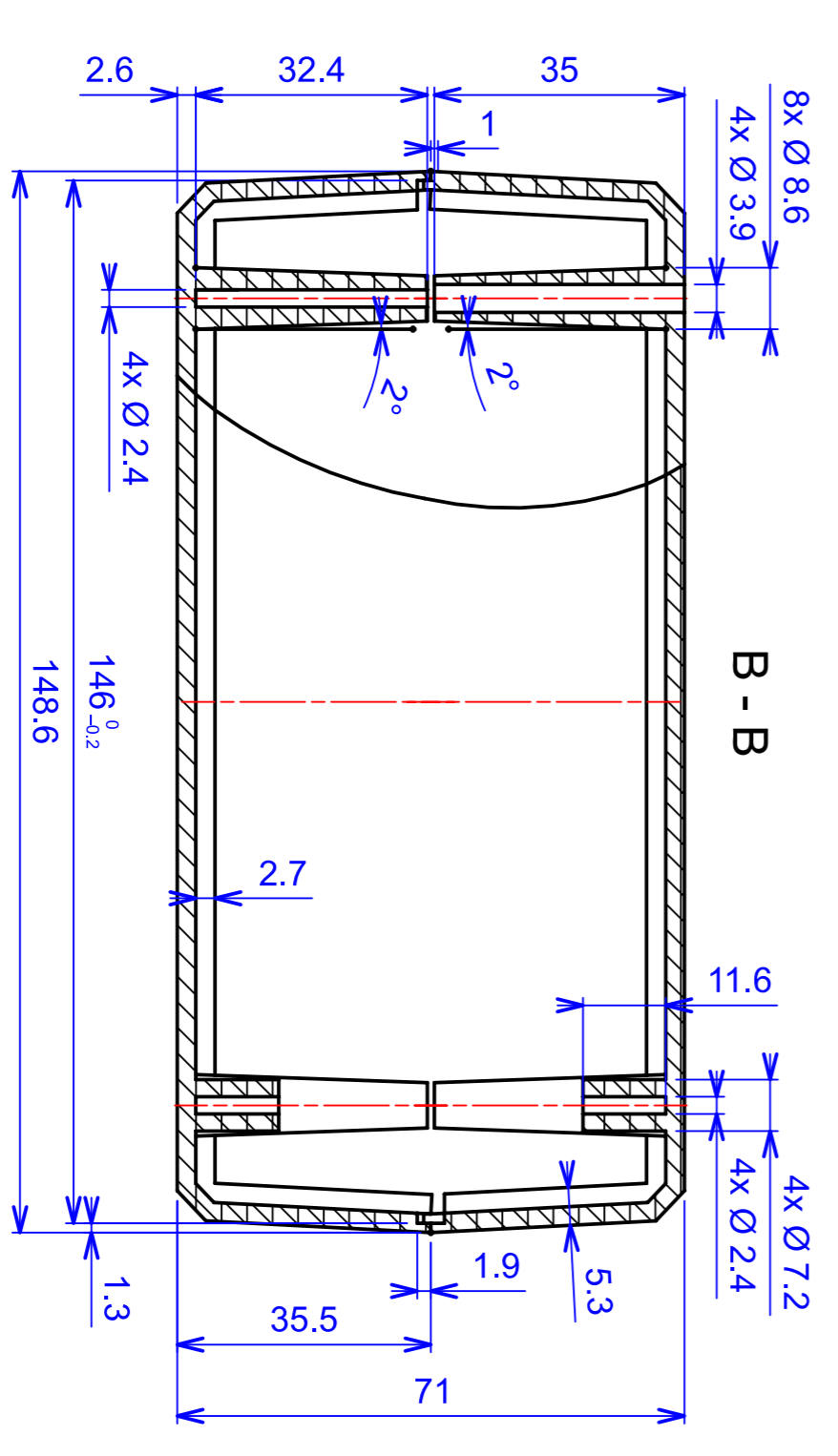
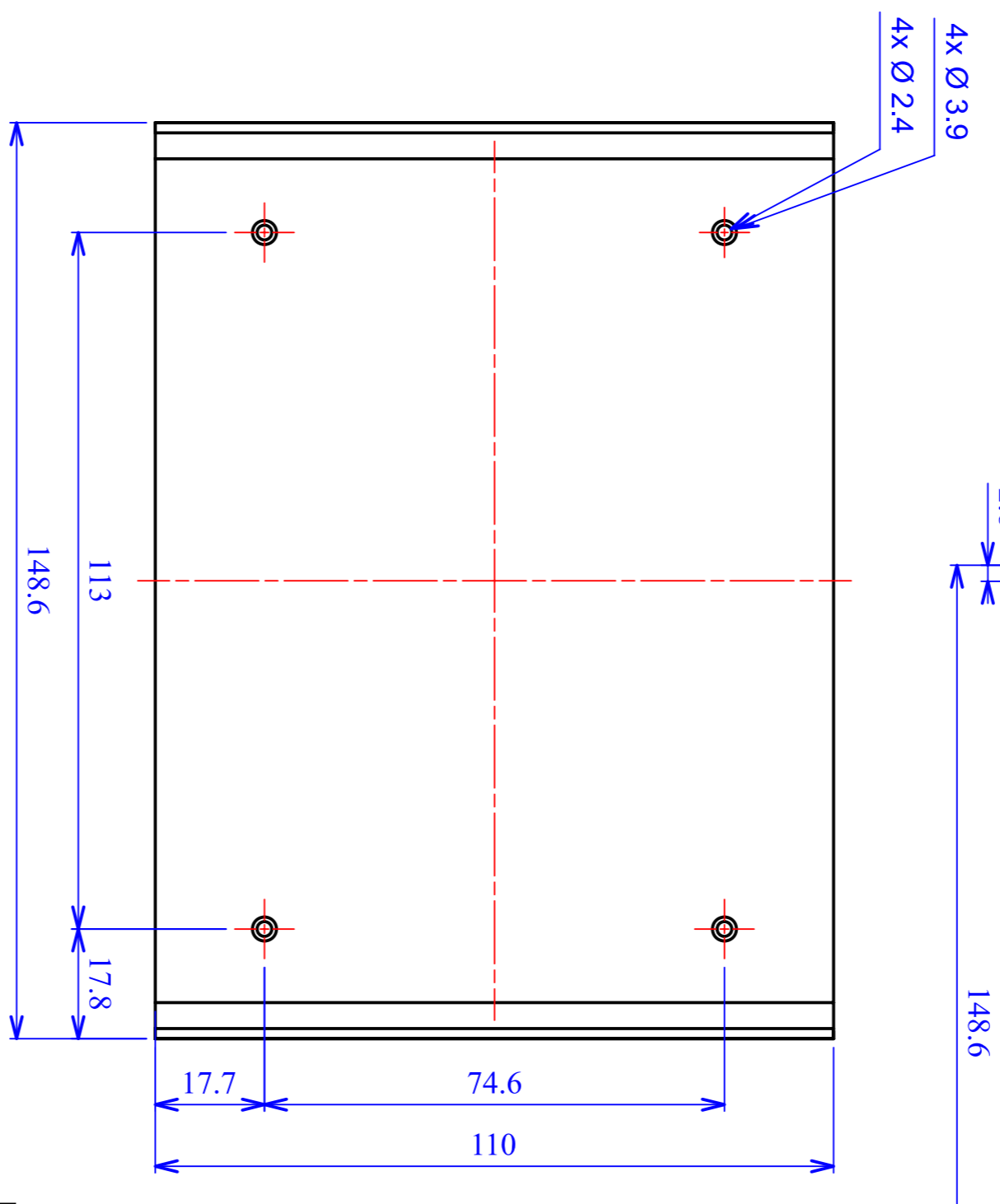
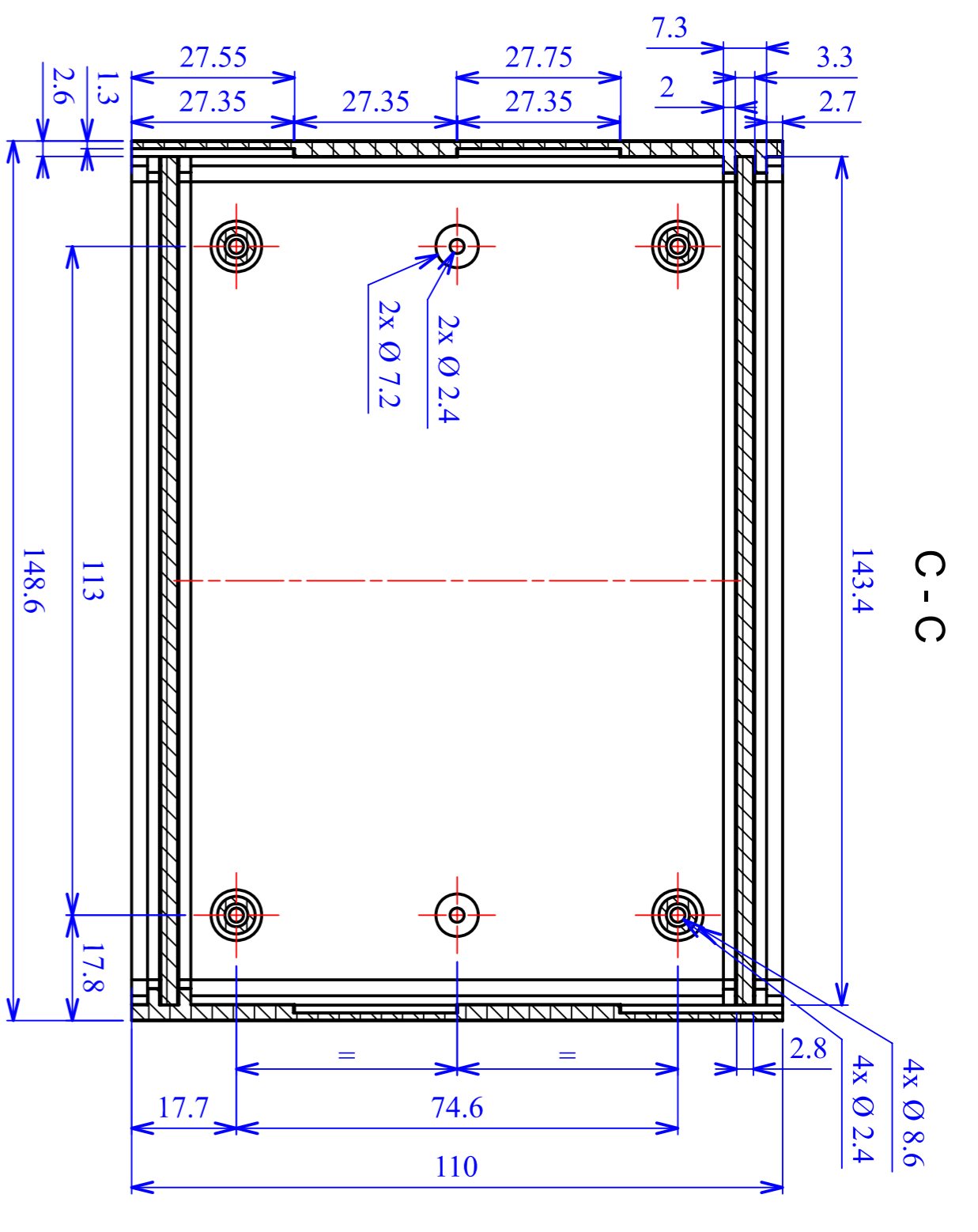
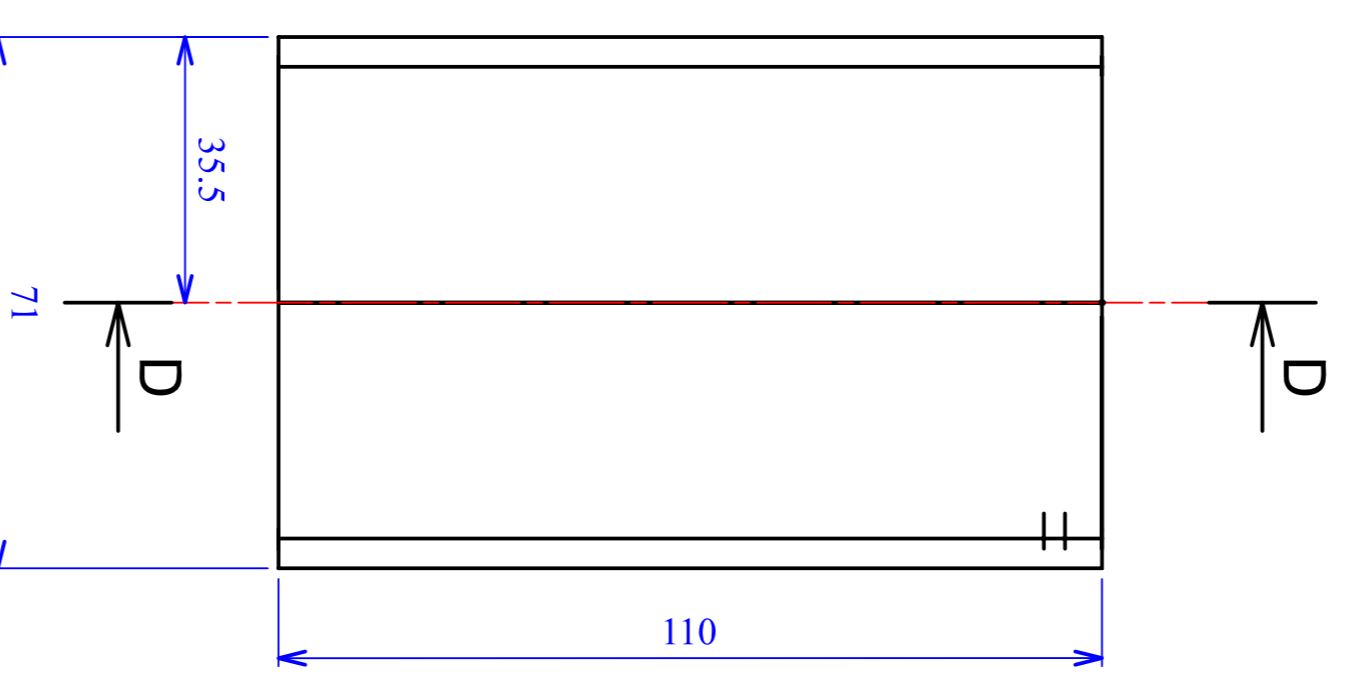
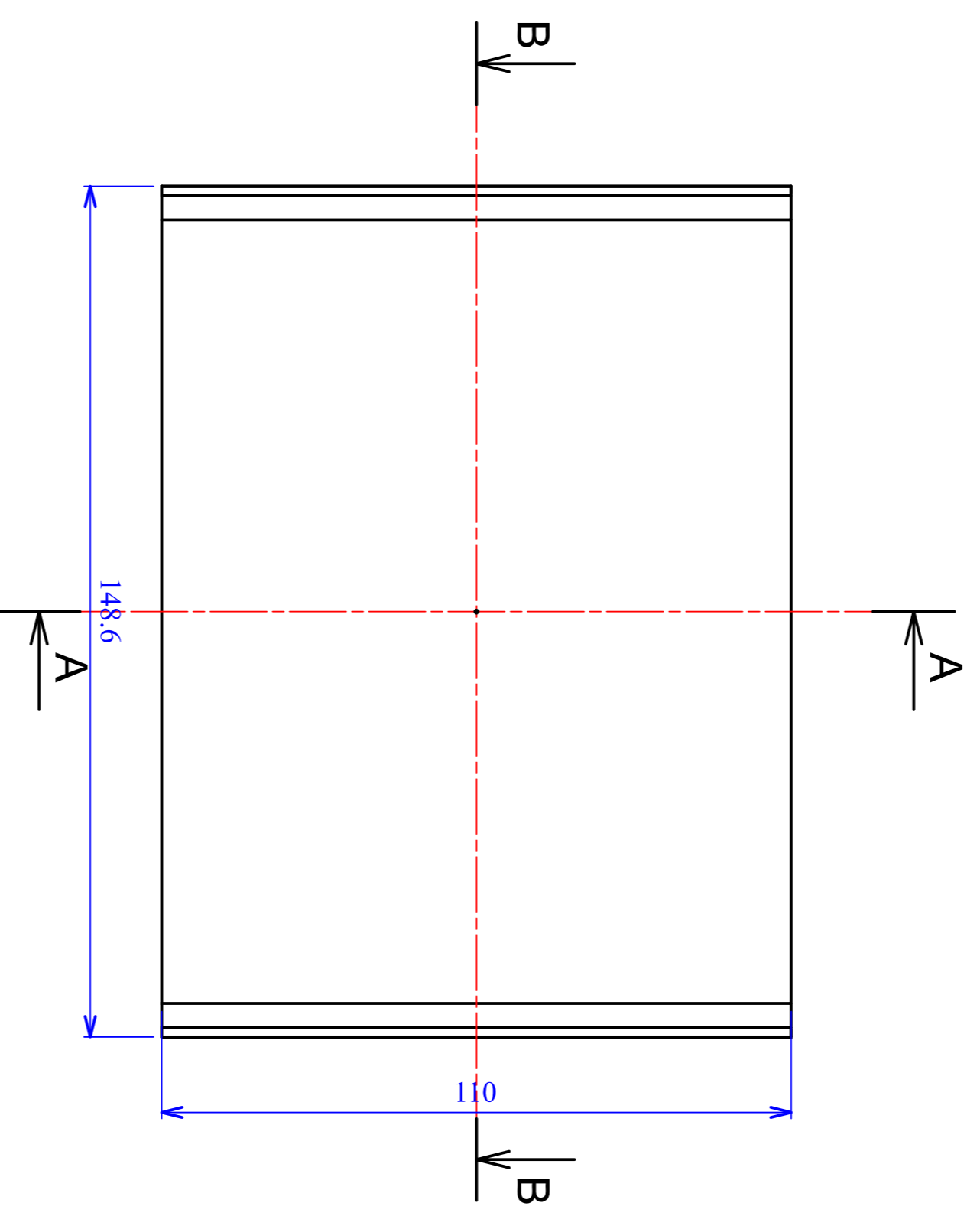
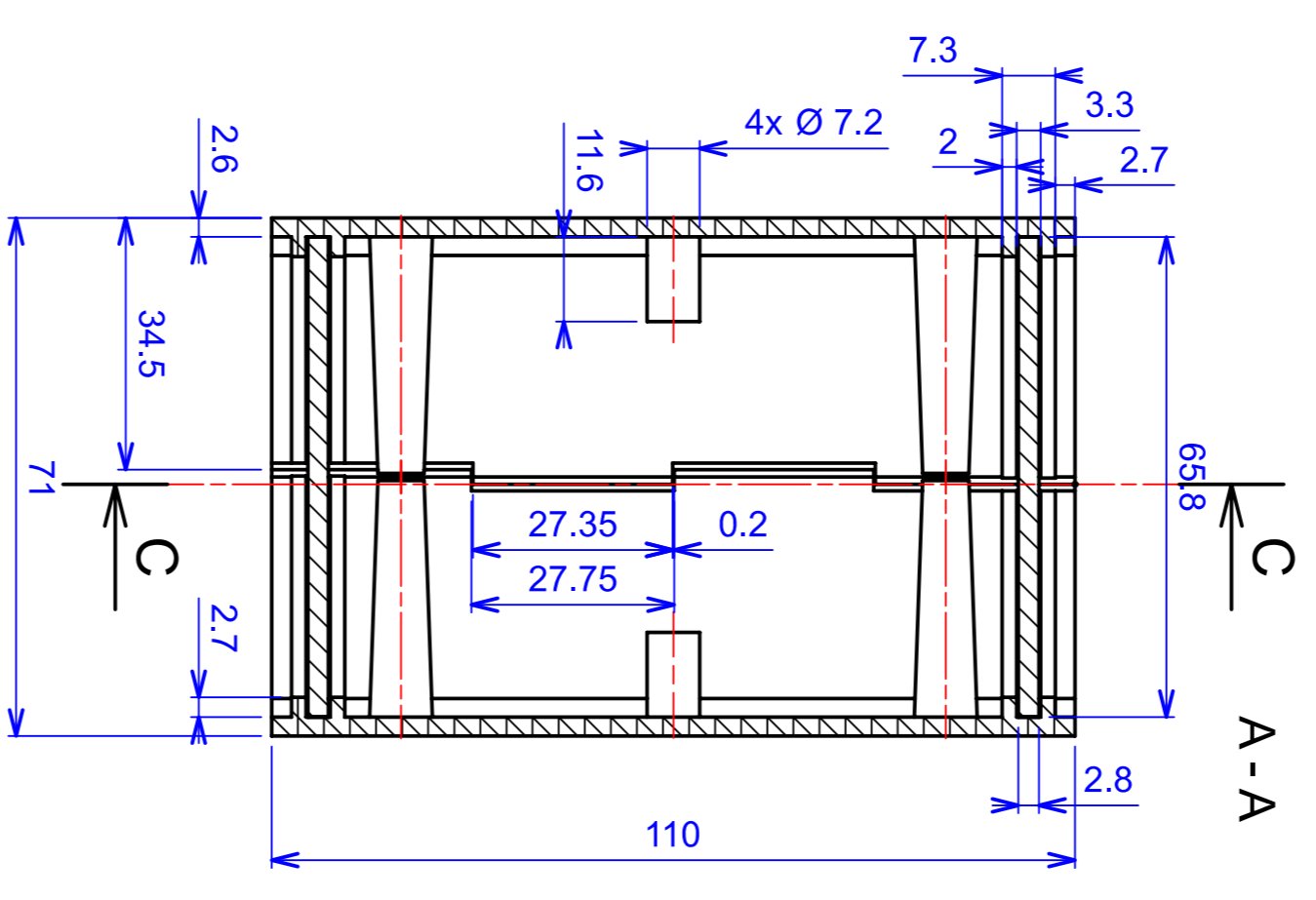
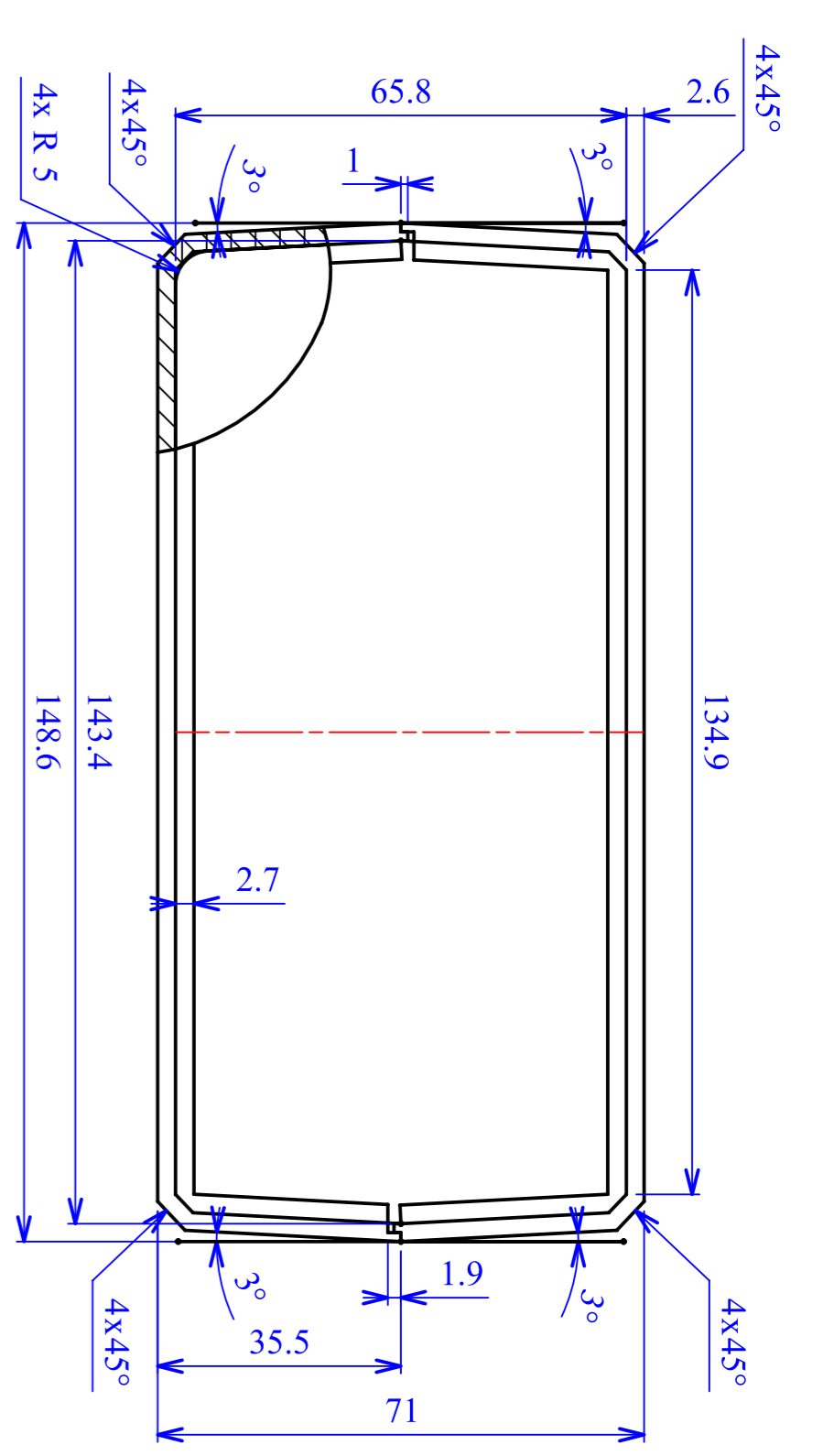


HESTORE.HU

elektronikai alkatrész áruház

EN: This Datasheet is presented by the manufacturer.

Please visit our website for pricing and availability at www.hestore.hu.



Model produktu	Z-3 P	
Format:	A4	Materiál: Polystyrene (PS)
Skála:	1:1	Tolerancia: ± 0.1

